

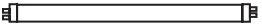


# SPECIFICATION SHEET: WHPS1-UNV-T8-PS

This Is An Original Product From Fulham Co., Inc.

**Description:** WORKHORSE Specifer Grade Series Electronic Ballast, Drop In Replacement For Magnetic Ballast, Parallel Lamp Operation, THD Less Than 10%

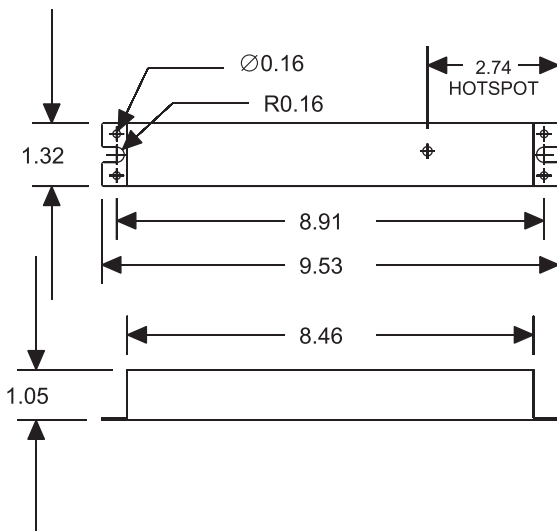
**This Ballast Will Operate Following Lamps:**

  
 F32T8/25, F32T8/28, F32T8/30,  
 FBO28T8, FBO31T8, FBO32T8, F32T8

## ELECTRICAL DATA

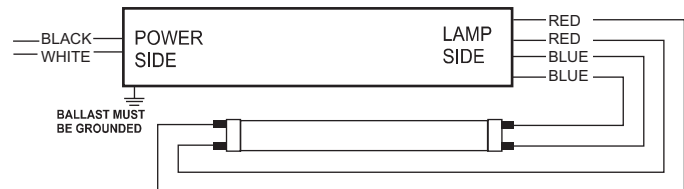
INPUT VOLT	120V ± 10%, 50/60Hz						
LAMP WATTS/TYPE	F32T8/25	F32T8/28	F32T8/30	FBO28T8	FBO31T8	FBO32T8	F32T8
LAMPS OPERATED	1 (ONE)						
INPUT WATTS	25	26	27	26	27	30	30
LINE CURRENT	0.21	0.22	0.23	0.22	0.23	0.25	0.25
POWER FACTOR	0.98	0.98	0.98	0.98	0.98	0.98	0.98
BALLAST FACTOR	0.88	0.88	0.88	0.88	0.88	0.88	0.88
BALLAST EFFICACY FACTOR	3.52	3.38	3.25	3.38	3.25	2.93	2.93
THD	10%	10%	10%	10%	10%	10%	10%
CURRENT CREST FACTOR	1.7						
EMI/RFI COMPLIANCE	FCC PART 18-A (NON-CONSUMER)						
SOUND RATING	"A"						
BALLAST TYPE	PROGRAM START						
VOLTAGE TRANSIENTS	ANSI C82.11-2005						
INPUT/PROTECTION	INHERENT THERMAL PROTECTION						
OUTPUT/PROTECTION	-						
MIN. STATING TEMP.	-18°C (0°F)						
MAX. CASE TEMP.	90°C (194°F)						
TYPE "HL" APPROVAL	APPROVED FOR HAZARDOUS LOCATION						
APPROVALS/CLASS	UL/cUL LISTED, CLASS P, 1 OUTDOOR						
REMOTE MOUNTING	18 FT MAX. LEAD LENGTH, 18 AWG						

## MECHANICAL DATA



## WIRING DIAGRAMS

WIRE	BLACK	WHITE	RED	BLUE	YELLOW	BROWN
LENGTH-INCHES	25±1"	25±1"	46±1"	31±1"	-	-



**NOTE: This Ballast Must Be Grounded.**

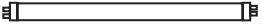


# SPECIFICATION SHEET: WHPS1-UNV-T8-PS

This Is An Original Product From Fulham Co., Inc.

**Description:** WORKHORSE Specifer Grade Series Electronic Ballast, Drop In Replacement For Magnetic Ballast, Parallel Lamp Operation, THD Less Than 10%

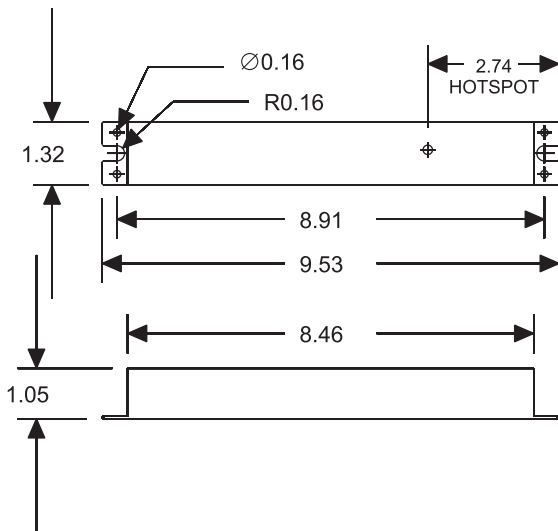
**This Ballast Will Operate Following Lamps:**

  
 F32T8/25, F32T8/28, F32T8/30,  
 FBO28T8, FBO31T8, FBO32T8, F32T8

## ELECTRICAL DATA

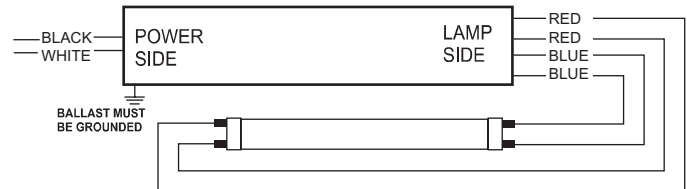
INPUT VOLT	230V ± 10%, 50/60Hz						
LAMP WATTS/TYPE	F32T8/25	F32T8/28	F32T8/30	FBO28T8	FBO31T8	FBO32T8	F32T8
LAMPS OPERATED	1 (ONE)						
INPUT WATTS	27	27	29	27	29	30	30
LINE CURRENT	0.12	0.12	0.13	0.12	0.13	0.13	0.13
POWER FACTOR	0.98	0.98	0.98	0.98	0.98	0.98	0.98
BALLAST FACTOR	0.88	0.88	0.88	0.88	0.88	0.88	0.88
BALLAST EFFICACY FACTOR	3.25	3.25	3.03	3.25	3.03	2.93	2.93
THD	10%	10%	10%	10%	10%	10%	10%
CURRENT CREST FACTOR	1.7						
EMI/RFI COMPLIANCE	FCC PART 18-A (NON-CONSUMER)						
SOUND RATING	"A"						
BALLAST TYPE	PROGRAM START						
VOLTAGE TRANSIENTS	ANSI C82.11-2005						
INPUT/PROTECTION	INHERENT THERMAL PROTECTION						
OUTPUT/PROTECTION	-						
MIN. STATING TEMP.	-18°C (0°F)						
MAX. CASE TEMP.	90°C (194°F)						
TYPE "HL" APPROVAL	APPROVED FOR HAZARDOUS LOCATION						
APPROVALS/CLASS	UL/cUL LISTED, CLASS P, 1 OUTDOOR						
REMOTE MOUNTING	18 FT MAX. LEAD LENGTH, 18 AWG						

## MECHANICAL DATA



## WIRING DIAGRAMS

WIRE	BLACK	WHITE	RED	BLUE	YELLOW	BROWN
LENGTH-INCHES	25±1"	25±1"	46±1"	31±1"	-	-



**NOTE: This Ballast Must Be Grounded.**

# SPECIFICATION SHEET: WHPS1-UNV-T8-PS

This Is An Original Product From Fulham Co., Inc.

**Description:** WORKHORSE Specifer Grade Series Electronic Ballast, Drop In Replacement For Magnetic Ballast, Parallel Lamp Operation, THD Less Than 10%

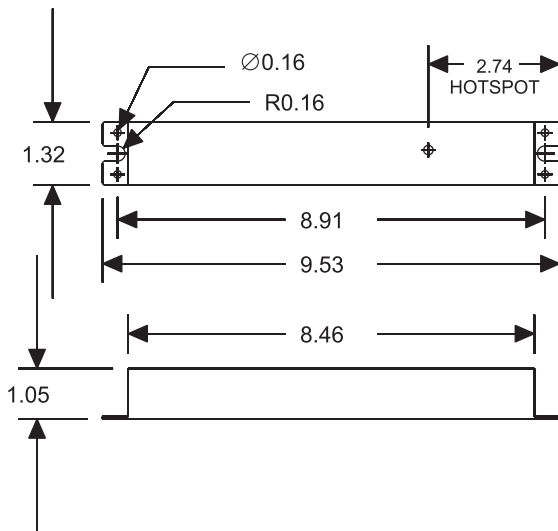
**This Ballast Will Operate Following Lamps:**

F32T8/25, F32T8/28, F32T8/30,  
 FBO28T8, FBO31T8, FBO32T8, F32T8

## ELECTRICAL DATA

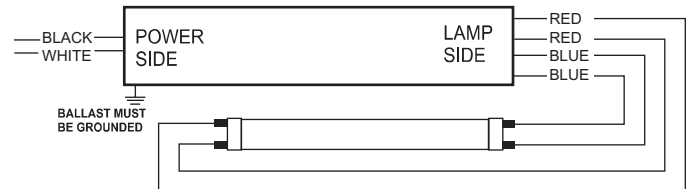
INPUT VOLT	277V ± 10%, 50/60Hz						
LAMP WATTS/TYPE	F32T8/25	F32T8/28	F32T8/30	FBO28T8	FBO31T8	FBO32T8	F32T8
LAMPS OPERATED	1 (ONE)						
INPUT WATTS	27	27	29	27	29	30	30
LINE CURRENT	0.10	0.10	0.11	0.10	0.11	0.11	0.11
POWER FACTOR	0.98	0.98	0.98	0.98	0.98	0.98	0.98
BALLAST FACTOR	0.88	0.88	0.88	0.88	0.88	0.88	0.88
BALLAST EFFICACY FACTOR	3.25	3.25	3.03	3.25	3.03	2.93	2.93
THD	10%	10%	10%	10%	10%	10%	10%
CURRENT CREST FACTOR	1.7						
EMI/RFI COMPLIANCE	FCC PART 18-A (NON-CONSUMER)						
SOUND RATING	"A"						
BALLAST TYPE	PROGRAM START						
VOLTAGE TRANSIENTS	ANSI C82.11-2005						
INPUT/PROTECTION	INHERENT THERMAL PROTECTION						
OUTPUT/PROTECTION	-						
MIN. STATING TEMP.	-18°C (0°F)						
MAX. CASE TEMP.	90°C (194°F)						
TYPE "HL" APPROVAL	APPROVED FOR HAZARDOUS LOCATION						
APPROVALS/CLASS	UL/cUL LISTED, CLASS P, 1 OUTDOOR						
REMOTE MOUNTING	18 FT MAX. LEAD LENGTH, 18 AWG						

### MECHANICAL DATA



### WIRING DIAGRAMS

WIRE	BLACK	WHITE	RED	BLUE	YELLOW	BROWN
LENGTH-INCHES	25±1"	25±1"	46±1"	31±1"	-	-



**NOTE:** This Ballast Must Be Grounded.