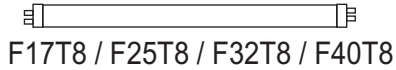


SPECIFICATION SHEET : **WHCG4-277-T8-IS**

This Is An Original Product From Fulham Co., Inc

Description : WORKHORSE Commercial Grade Series Electronic Ballast, Drop In Replacement for Magnetic Ballast, Parallel Lamp Operation, THD Less Than 20%

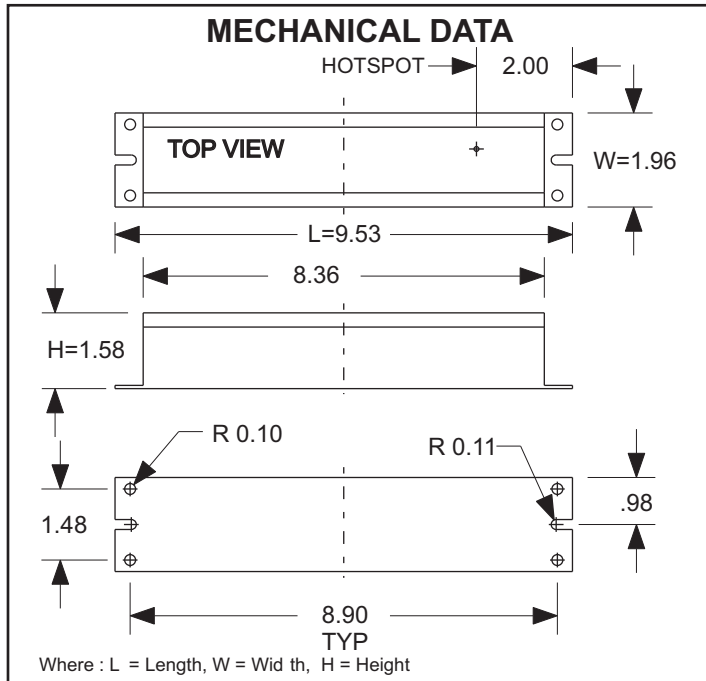
This Ballast Will Operate Following Lamps.



ELECTRICAL DATA

INPUT VOLT: 277V ± 10%, 50/60Hz									
LAMP WATTS/TYPE	F25T8	F32T8	F40T8	F17T8	F25T8	F32T8	-	-	-
LAMPS OPERATED	3			4					
INPUT WATTS	76.00	92.00	114.00	61.00	90.00	110.00			
LINE CURRENT:	0.28	0.34	0.42	0.24	0.33	0.40			
POWER FACTOR	> 0.9								
BALLAST FACTOR	1.06	0.974	0.978	0.952	0.969	0.894			
EFFICACY FACTOR	1.395	1.058	0.857	1.561	1.077	0.813			
THD	< 20 %								
CURRENT CREST FACTOR	< 1.7								
EMI/RFI COMPLIANCE	FCC PART 18-A								
SOUND RATING	" A "								
BALLAST TYPE	INSTANT START								
VOLTAGE TRANSIENTS	ANSI C82.11 - 1993								
INPUT/PROTECTION	FUSE								
OUTPUT/PROTECTION	EOL								
MIN. OPERATING TEMP	- 18 °C (0 ° F)								
MAX. CASE TEMP	70 °C (158 ° F)								
TYPE "HL" APPROVAL	APPROVED FOR HAZARDOUS LOCATION								
ENERGY STAR 4.0	-								
APPROVALS/CLASS	UL /cUL LISTED, CLASS " P ", 1 OUTDOOR								

MECHANICAL DATA



WIRING DIAGRAMS

WIRE	BLACK	WHITE	RED	BLUE	YELLOW	BROWN
LENGTH - INCHES	28 ± 1"	28 ± 1"	30 ± 1"	30 ± 1"	46 ± 1"	

