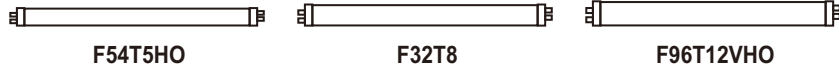


## SPECIFICATION SHEET : WH7-120-H

This Is An Original Product From Fulham Co., Inc

**Description : WorkHorse Series Versatile, Solid State Electronic Ballast. Small Case Size, High Power Factor, Light Weight, Available In 120/230/277V 50/60 Hz.**

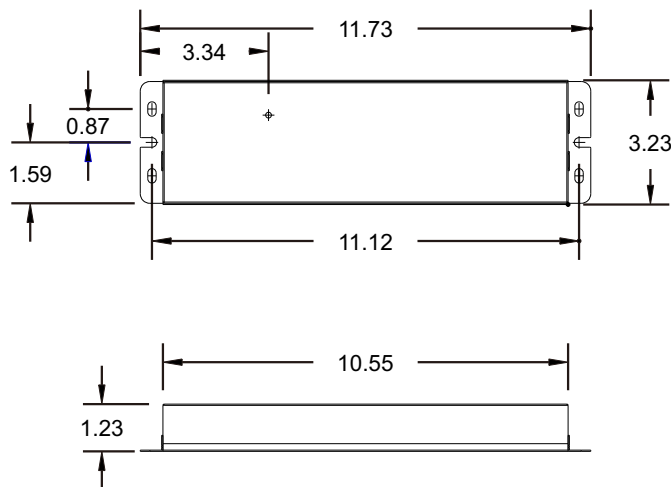
**This Ballast Will Operate Following Lamps.**



### ELECTRICAL DATA

|                                 |   |           |       |   |   |   |   |   |
|---------------------------------|---|-----------|-------|---|---|---|---|---|
| INPUT VOLT: 120V ± 10%, 50/60Hz |   |           |       |   |   |   |   |   |
| LAMP WATTS/TYPE                 | F54T5HO                                     | F96T12VHO | F32T8 | - | - | - | - | - |
| LAMPS OPERATED                  | 4   | 1         | 3     |   |   |   |   |   |
| INPUT WATTS                     | 202   | 192       | 155   |   |   |   |   |   |
| LINE CURRENT:                   | 1.80  | 1.73      | 1.40  |   |   |   |   |   |
| POWER FACTOR                    | 0.94  | 0.93      | 0.93  |   |   |   |   |   |
| BALLAST FACTOR                  | 0.80  | 0.89      | 1.58  |   |   |   |   |   |
| EFFICACY FACTOR                 | 0.39  | 0.46      | 1.01  |   |   |   |   |   |
| THD                             | 36%   | 36%       | 38%   |   |   |   |   |   |
| EMI/RFI COMPLIANCE              | FCC PART 18-A (Non Consumer)                |           |       |   |   |   |   |   |
| SOUND RATING                    | " A "                                       |           |       |   |   |   |   |   |
| BALLAST TYPE                    | INSTANT START                               |           |       |   |   |   |   |   |
| VOLTAGE TRANSIENTS              | ANSI 62.41                                  |           |       |   |   |   |   |   |
| INPUT/PROTECTION                | FUSE  |           |       |   |   |   |   |   |
| OUTPUT/PROTECTION               | EOL   |           |       |   |   |   |   |   |
| MIN. OPERATING TEMP             | See Lamps Spec                              |           |       |   |   |   |   |   |
| MAX. CASE TEMP                  | 70 °C ( 158 ° F )                           |           |       |   |   |   |   |   |
| ENERGY STAR 4.0                 | -   |           |       |   |   |   |   |   |
| APPROVALS/CLASS                 | UL /cUL LISTED, CLASS " P ", 1 OR 2 OUTDOOR |           |       |   |   |   |   |   |

### MECHANICAL DATA



### WIRING DIAGRAMS

| WIRE            | BLACK   | WHITE   | RED     | BLUE    | YELLOW   | BROWN |
|-----------------|---------|---------|---------|---------|----------|-------|
| LENGTH - INCHES | 18 ± 1" | 18 ± 1" | 60 ± 1" | 24 ± 1" | 120 ± 1" | -     |

**WIRING DIAGRAMS DEPENDS  
ON THE LAMP TYPE.  
PLEASE REFER TO FULHAM'S CATALOG.**

NOTE : This Ballast Must Be Grounded

Fulham Co., Inc extends limited warranty only to the original purchaser or to the first user for the period of 5 years from the date of manufacture as indicated by the date code stamped on each product and when properly installed and under normal conditions of use. For additional warranty guide line, please refer to our Complete Product Catalog OR call Customer Service at 1-323-599-5000.

DUE TO A PROGRAM OF CONTINUOUS IMPROVEMENT, FULHAM Co., INC RESERVES THE RIGHT TO MAKE ANY VARIATION IN DESIGN OR CONSTRUCTION TO THE EQUIPMENT DESCRIBED.

Address : 12705 South Van Ness Ave., Hawthorne, CA 90250 Tel.: 1-323-599-5000, Fax.: 1-323-754-9060. Website: [www.fulham.com](http://www.fulham.com) 2010-57SP-1 rev B

## SPECIFICATION SHEET : WH7-120-H

This Is An Original Product From Fulham Co., Inc

**Description : WorkHorse Series Versatile, Solid State Electronic Ballast. Small Case Size, High Power Factor, Light Weight, Available In 120/230/277V 50/60 Hz.**

**This Ballast Will Operate Following Lamps.**

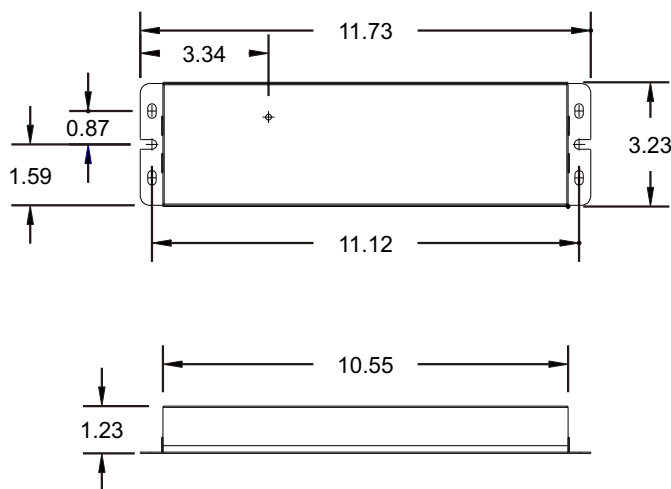


REFER TO LAMP LIST

### ELECTRICAL DATA

|                                 |                              |          |          |   |   |   |   |   |   |
|---------------------------------|------------------------------|----------|----------|---|---|---|---|---|---|
| INPUT VOLT: 120V ± 10%, 50/60Hz |                              |          |          |   |   |   |   |   |   |
| LAMP WATTS/TYPE                 | F71T12HO                     | F71T12HO | F71T12HO | - | - | - | - | - | - |
| WIRING DIAGRAM #                | 14                           | 9        | 11       |   |   |   |   |   |   |
| LAMPS OPERATED                  | 1                            | 2        | 2        |   |   |   |   |   |   |
| INPUT WATTS                     | 97                           | 146      | 194      |   |   |   |   |   |   |
| LINE CURRENT:                   | 0.88                         | 1.32     | 1.75     |   |   |   |   |   |   |
| POWER FACTOR                    | 0.92                         | 0.92     | 0.92     |   |   |   |   |   |   |
| BALLAST FACTOR                  | 0.66                         | 0.71     | 0.97     |   |   |   |   |   |   |
| EFFICACY FACTOR                 | 0.68                         | 0.49     | 0.50     |   |   |   |   |   |   |
| THD                             | 40%                          | 38%      | 37%      |   |   |   |   |   |   |
| EMI/RFI COMPLIANCE              | FCC PART 18-A (Non Consumer) |          |          |   |   |   |   |   |   |
| SOUND RATING                    | " A "                        |          |          |   |   |   |   |   |   |
| BALLAST TYPE                    | INSTANT START                |          |          |   |   |   |   |   |   |
| VOLTAGE TRANSIENTS              | ANSI 62.41                   |          |          |   |   |   |   |   |   |
| INPUT/PROTECTION                | FUSE                         |          |          |   |   |   |   |   |   |
| OUTPUT/PROTECTION               | EOL                          |          |          |   |   |   |   |   |   |
| MIN. OPERATING TEMP             | See Lamps Spec               |          |          |   |   |   |   |   |   |
| MAX. CASE TEMP                  | 70 °C ( 158 °F )             |          |          |   |   |   |   |   |   |
| ENERGY STAR 4.0                 |                              |          |          |   |   |   |   |   |   |

### MECHANICAL DATA



Where : L = Length, W = Width, H = Height

### WIRING DIAGRAMS

| WIRE            | BLACK   | WHITE   | RED     | BLUE    | YELLOW   | BROWN |
|-----------------|---------|---------|---------|---------|----------|-------|
| LENGTH - INCHES | 18 ± 1" | 18 ± 1" | 60 ± 1" | 24 ± 1" | 120 ± 1" | -     |

**WIRING DIAGRAMS DEPENDS  
ON THE LAMP TYPE.  
PLEASE REFER TO FULHAM'S CATALOG.**

NOTE : This Ballast Must Be Grounded

Fulham Co., Inc extends limited warranty only to the original purchaser or to the first user for the period of 5 years from the date of manufacture as indicated by the date code stamped on each product and when properly installed and under normal conditions of use. For additional warranty guide line, please refer to our Complete Product Catalog OR call Customer Service at 1-323-599-5000.

DUE TO A PROGRAM OF CONTINUOUS IMPROVEMENT, FULHAM Co., INC RESERVES THE RIGHT TO MAKE ANY VARIATION IN DESIGN OR CONSTRUCTION TO THE EQUIPMENT DESCRIBED.

Address : 12705 South Van Ness Ave., Hawthorne, CA 90250 Tel.: 1-323-599-5000, Fax.: 1-323-754-9060. Website: [www.fulham.com](http://www.fulham.com) 2010-57SP-2 rev B