

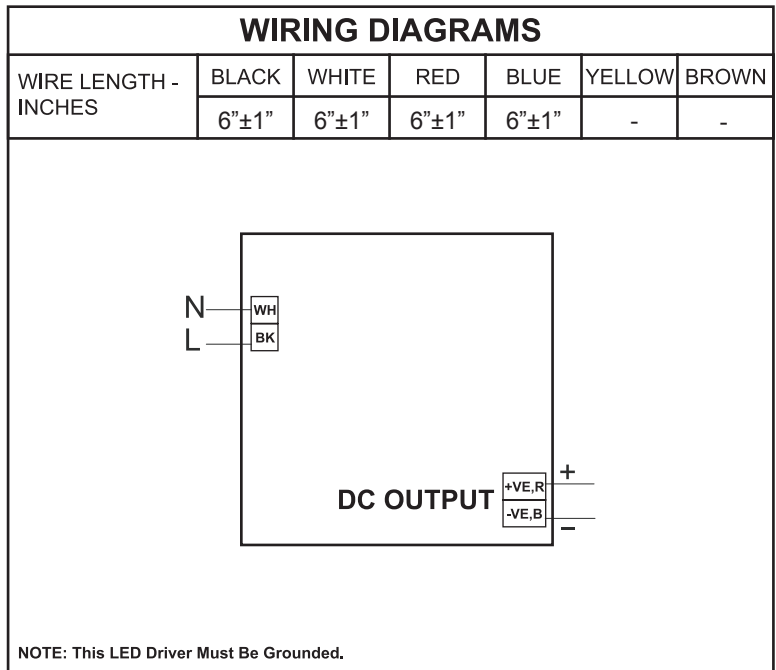
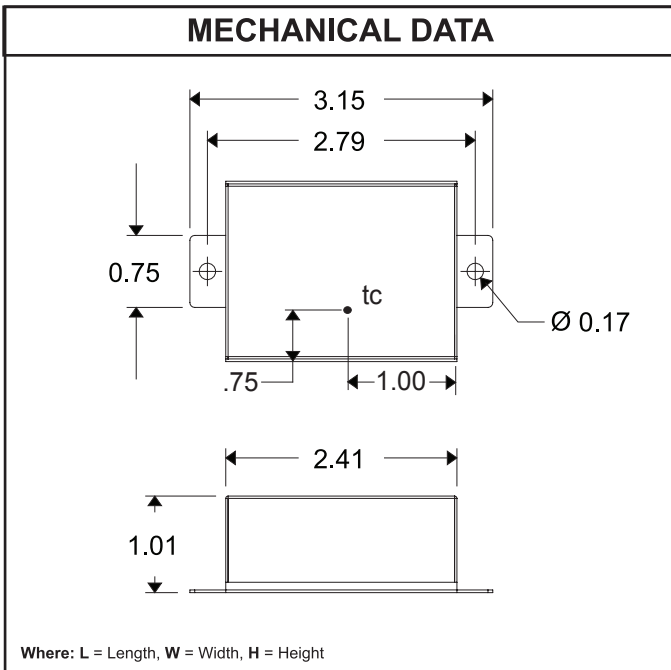
## SPECIFICATION SHEET: **TCD11200700-9C** This Is An Original Product From Fulham Co., Inc.

**Description:** Independent Direct Current Power Supply. High Efficiency And Reduced Weight and Size. Dimming.

**This LED Driver will operate the following LED Modules:** Any module designed to accept up to 700mA, constant current input.

### ELECTRICAL DATA

INPUT VOLT	120V ± 10%, 50/60Hz
POWER FACTOR	>0.95
THD	<10%
EFFICIENCY	>65%
CURRENT PROTECTION	Yes
CONSTANT CURRENT, VOLTAGE OR POWER	Constant Current
OUTPUT CURRENT	0.70A
OUTPUT VOLTAGE	Max. 15V
OUTPUT SHORT CIRCUIT PROTECTION	Yes
OUTPUT OPEN CIRCUIT PROTECTION	Yes
OUTPUT TO GROUND SHORT PROTECTION	Yes
OVER LOAD PROTECTION	Yes
DIMMING CONTROLLER TYPE	Triac Phase Controller Dimmer
DIMMING RANGE	100%~10%
EMI	FCC Part 15, Class A
MAX. CASE HOT SPOT TEMPERATURE	75°C
MIN. LAMP STARTING TEMPERATURE	- 27°C
MAX. POSSIBLE AMBIENT TEMPERATURE	40°C
SERVICE LIFE	50,000 hours
APPROVALS/CLASS	UR/cUR Class2, Damp location



Fulham extends a limited warranty only to the original purchaser or to the first user for a period of 2 years from the date of manufacture when properly installed and operated under normal conditions of use. For complete terms and conditions, please reference the Fulham product catalog ([www.fulham.com](http://www.fulham.com))

**Due to a program of continuous improvement, Fulham reserves the right to make modifications or variations in design or construction to the equipment described.**