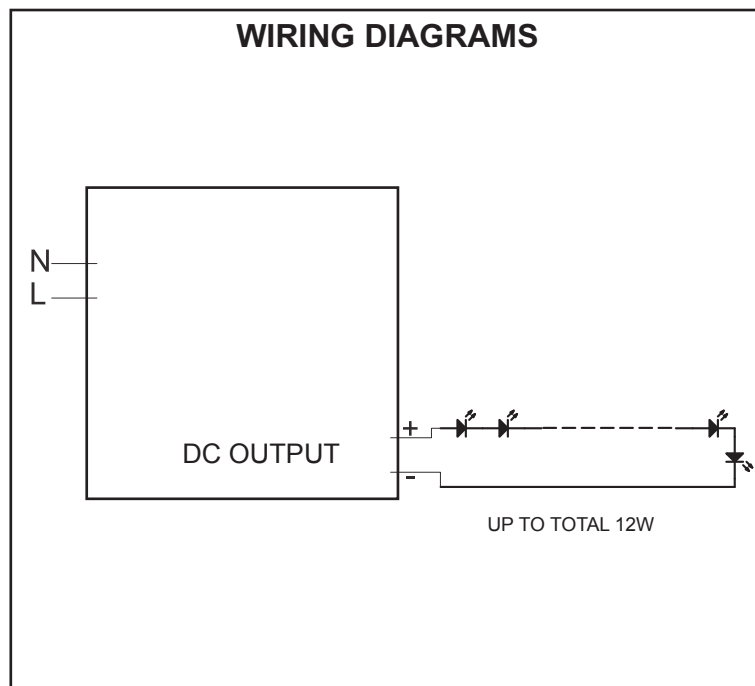
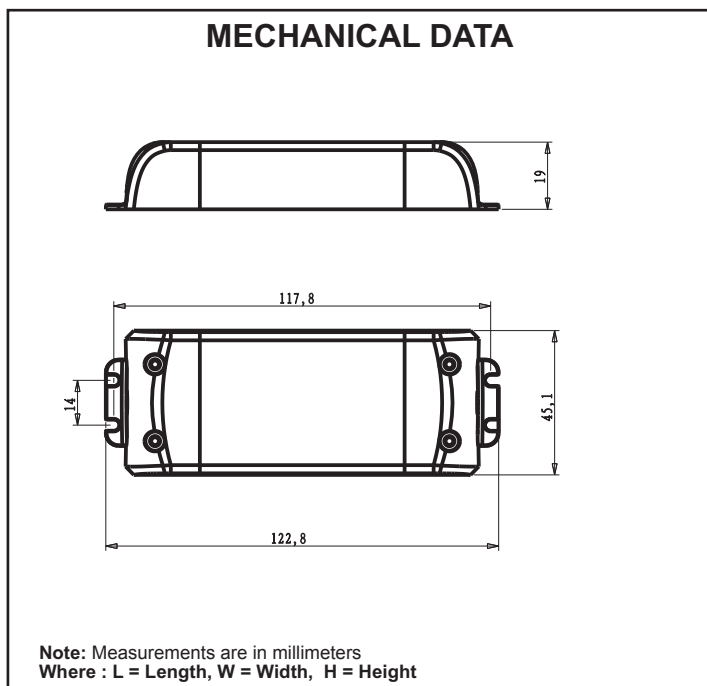


Description : Independent direct current power supply for LED Modules. Power output up to 12W.

This Driver Will Operate Following LED Modules:
Any model designed to accept 350mA, Constant current with voltage of 9-36V (Min. load-3W)
Any model designed to accept 700mA, Constant current with voltage of 4-18V (Min. load-2W)

ELECTRICAL DATA

	TC12300350-12L	TC12300700-12L
INPUT VOLTAGE	220-240, 50/60Hz	
POWER FACTOR	> 0.5	
EFFICIENCY	85% (Typ.)	
CURRENT PROTECTION	Yes	
CONSTANT CURRENT, VOLTAGE OR POWER	Constant Current	
OUTPUT CURRENT	350mA	700mA
OUTPUT VOLTAGE	9-36V	3-18V
OUTPUT SHORT CIRCUIT PROTECTION	Yes	
OUTPUT OPEN CIRCUIT PROTECTION	Yes	
OUTPUT TO GROUND SHORT PROTECTION	Yes	
OVER LOAD PROTECTION	Yes	
APPROVALS/CLASS	CE, SELV, CLASS II	
EMI	EN55015	
MAX. CASE HOT SPOT TEMPERATURE	75°C	
MIN. LAMP STARTING TEMPERATURE	-15°C	
MAX. POSSIBLE AMBIENT TEMPERATURE	45°C	



Fulham extends a limited warranty only to the original purchaser or to the first user for a period of 3 years from the date of manufacture when properly installed and operated under normal conditions of use. For complete terms and conditions, please reference the Fulham product catalog (www.fulham.com)
Due to a program of continuous improvement, Fulham reserves the right to make modifications or variations in design or construction to the equipment described.