

**Description:** Independent direct current power supply. High efficiency and reduced weight and size. 700mA constant current output. 18W power output.

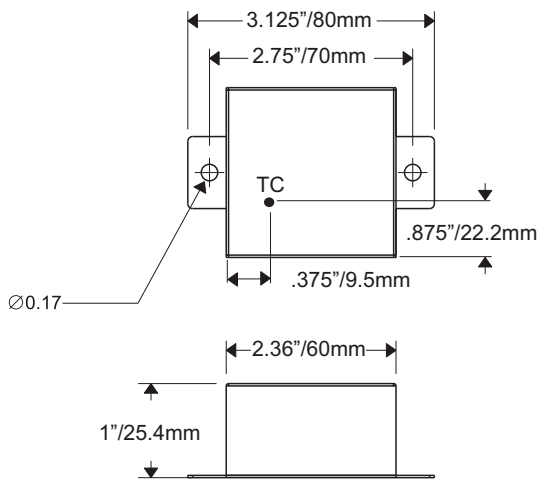
**This Driver Will Operate The Following Led Lamps:**

Any LED module designed to accept constant current input up to 700mA with a forward voltage of 10.5-30VDC

**ELECTRICAL DATA**

INPUT VOLT	120V ± 10%, 50/60Hz
POWER FACTOR	>0.90
THD	<20%
EFFICIENCY	>80%
SURGE PROTECTION	Yes
CURRENT PROTECTION	Yes
CONSTANT CURRENT, VOLTAGE OR POWER	Constant Current
OUTPUT CURRENT	700mA
OUTPUT VOLTAGE	10.5 ~ 30V
OUTPUT WATTAGE	18W
OUTPUT SHORT CIRCUIT PROTECTION	Yes
OUTPUT OPEN CIRCUIT PROTECTION	Yes
OUTPUT TO GROUND SHORT PROTECTION	Yes
OVERLOAD PROTECTION	Yes
MAX. CASE HOT SPOT TEMPERATURE	80°C
MIN. OPERATING TEMPERATURE	-20°C
MAX. OPERATING TEMPERATURE	60°C
SERVICE LIFE	50,000 Hours
APPROVALS/CLASS	uR/cUR Class 2, Damp Location

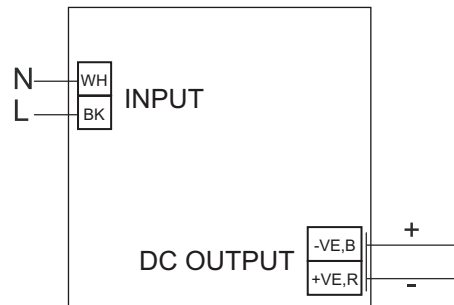
**MECHANICAL DATA**



Where : L = Length, W = Width, H = Height

**WIRING DIAGRAMS**

WIRE LENGTH - INCHES	BLACK	WHITE	RED	BLUE	YELLOW	BROWN
	12" x 1	12" x 1	12" x 1	12" x 1		



NOTE : This driver case must be grounded

Fulham extends a limited warranty only to the original purchaser or to the first user for a period of 5 years from the date of manufacture when properly installed and operated under normal conditions of use. For complete terms and conditions, please reference the Fulham product catalog ([www.fulham.com](http://www.fulham.com)). Due to a program of continuous improvement, Fulham reserves the right to make modifications or variations in design or construction to the equipment described.