

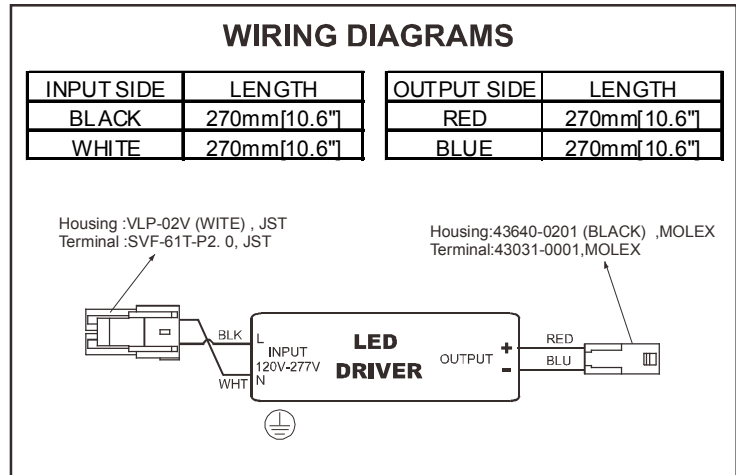
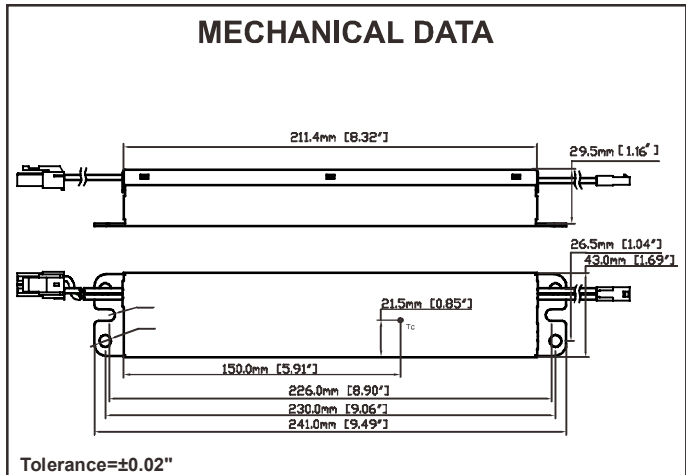
SPECIFICATION SHEET : T1UNV024V-100LE-H This Is An Original Product From Fulham Co., Inc

Description: 24V, 100W Constant Voltage LED Driver. Universal input range of 120-277V. One, 24V independent, constant voltage output channel.

This Driver Will Operate The Following LED Modules:
Any LED module designed to accept constant voltage input of 24V and has a maximum input current of 4.17A.

ELECTRICAL DATA

INPUT VOLTAGE	120-277VAC, 50/60Hz
INPUT CURRENT (MAX)	0.92A @ 120V, 0.41A @ 277V
POWER FACTOR (PF)	>0.9
THD	<15%
EFFICIENCY	>87% @ 120V FULL LOAD
DRIVE METHOD	CONSTANT VOLTAGE
OUTPUT CURRENT	4.17A
OUTPUT VOLTAGE	24VDC
OUTPUT WATTAGE	100W
NUMBER OF OUTPUT CHANNELS	1
RFI/EMI	FCC PART 15B CONSUMER
SOUND RATING	A
CIRCUIT PROTECTION	SURGE PROTECTION
	CURRENT PROTECTION
	OUTPUT SHORT CIRCUIT PROTECTION
	OUTPUT OPEN CIRCUIT PROTECTION
	OUTPUT TO GROUND SHORT PROTECTION
OVERLOAD PROTECTION	
MAX. CASE HOT SPOT TEMPERATURE	90°C
AMBIENT TEMPERATURE RANGE	- 40°C TO 57°C
SERVICE LIFE	50,000 HOURS
APPROVALS/CLASS	cURus CLASS 2, CE, RoHS, DRY OR DAMP LOCATIONS
SURGE PROTECTION	LINE TO LINE 4KV, LINE TO EARTH 4KV



Fulham extends a limited warranty only to the original purchaser or to the first user for a period of 5 years from the date of manufacture when properly installed and operated under normal conditions of use. For complete terms and conditions, please reference the Fulham product catalog (www.fulham.com)
Due to a program of continuous improvement, Fulham reserves the right to make modifications or variations in design or construction to the equipment described. © Fulham Company Limited, All Rights Reserved.