

Description: 12V, 75W Constant Voltage LED Driver with 0-10V dimming. Universal input range of 100-277VAC. One 12V independent, constant voltage output channel.

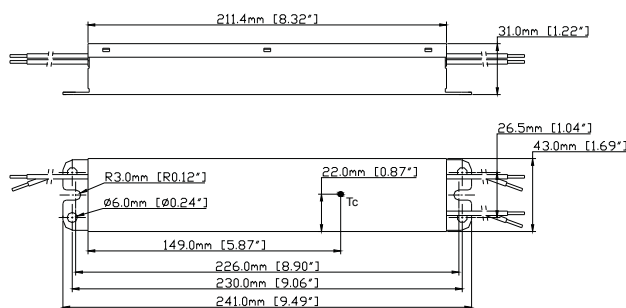
This Driver Will Operate The Following LED Modules:

Any LED module designed to accept constant voltage input of 12V and has a maximum input current of 6.25A.

ELECTRICAL DATA

Input Voltage	100-277VAC, 50/60Hz
Input Current	0.91A@100V, 0.32A@277V
Input Power	89W
Power Factor	>0.9
THD	<20%
Driver Type	Constant Voltage
Output Voltage	12VDC
Output Current Range	0-6.25A
Output Wattage	75W
Number of Output Channels	1
Dimming	0-10V
RFI/EMI	FCC PART 15B CONSUMER, EN55015
Output Type	NON-CLASS 2
Ambient Operating Temperature Range	-20°C to 51°C
Max Case Temperature at Tc	89°C
Sound Rating	A
Protections	Input Surge Protection
	Input Current Protection
	Output Short Circuit Protection
	Output Open Circuit Protection
	Output To Ground Short Protection
Overload Protection	
Expected Service Life	5 YEARS
Approvals / Class	cURus NON-Class 2, IP64, CE, RoHS, Dry or Damp Locations, Type TL/HL

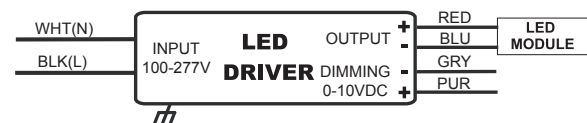
MECHANICAL DATA



WIRING DIAGRAMS

INPUT SIDE	LENGTH
WHITE	300mm [11.8"]
BLACK	300mm [11.8"]

OUTPUT SIDE	LENGTH
RED	300mm [11.8"]
BLUE	300mm [11.8"]
GREY	300mm [11.8"]
PURPLE	300mm [11.8"]



Fulham extends a limited warranty only to the original purchaser or to the first user for a period of 5 years from the date of manufacture when properly installed and operated under normal conditions of use. For complete terms and conditions, please reference the Fulham product catalog (www.fulham.com)

Due to a program of continuous improvement, Fulham reserves the right to make modifications or variations in design or construction to the equipment described.