

# SPECIFICATION SHEET: T1M13471050-40V

This Is An Original Product From Fulham Co., Inc

RoHS  
COMPLIANT

IP64

**Description:** ThoroLED Driver- Output max 40W - 347V - 1050mA -1 Channel- 0-10V Dimming- Constant Current - 18-38V Forward Voltage-Compact Case+ Wires + Backside Studs- IP64

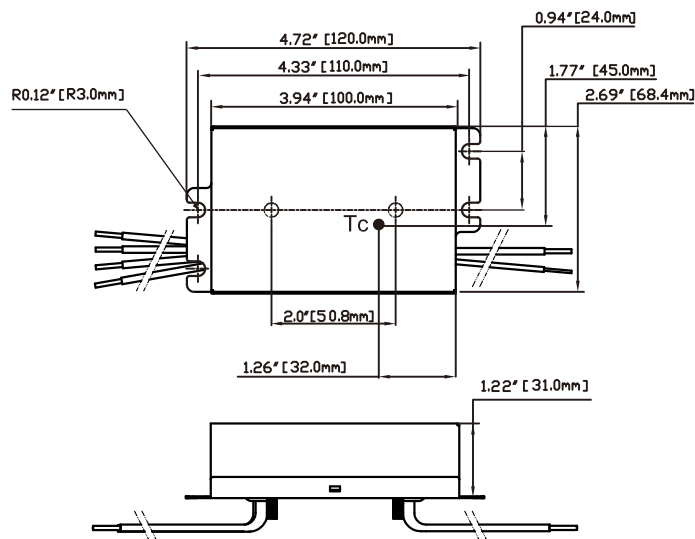
**This Driver Will Operate The Following LED Modules:**

Any LED module designed to accept constant input current of 1050mA and has a forward input voltage range of 18-38VDC.

## ELECTRICAL DATA

Input Voltage	347VAC, 60Hz
Input Current	0.136A
Input Power	47W
Power Factor	>0.9
THD	<20%
Efficiency	85% Typical @ Full Load
Driver Type	Constant Current
Output Current	1050mA
Output Voltage Range	18-38VDC
Output Power	40W Max.
Number of Output Channels	1
Dimming Controller Type / Dimming Range	0-10VDC / 100%-10%
RFI/EMI	FCC Part 15B Consumer
Output Type	Class 2, LED Class 2, LVLE
Ambient Operating Temperature Range	-20°C to 62°C
Max. Case Temperature	90°C
Sound Rating	A
Input Surge Protection	Line-Neutral 1kV, Line & Neutral-Ground 2kV
Protections	Input Current Protection
	Output Short Circuit Protection
	Output Open Circuit Protection
	Output To Ground Short Protection
	Overload Protection
Service Life	5 Years @ Tc 85°C
Approvals / Class	cURus Class 2, Type HL, Dry or Damp Locations; RoHS; IP64

### MECHANICAL DATA

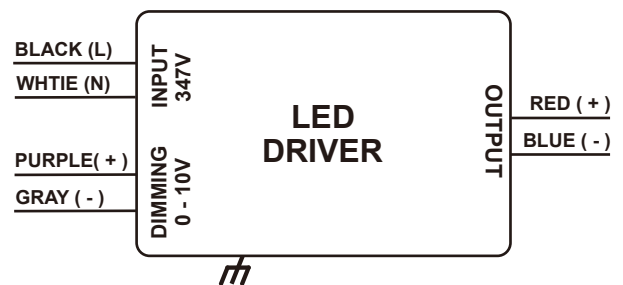


Studs/FH-832-6Z1

Where : L = Length, W = Width, H = Height, Tolerance=±0.02"

### WIRING DIAGRAMS

INPUT SIDE	LENGTH	OUTPUT SIDE	LENGTH
BLACK (L)	6" [152.4mm]	RED	6" [152.4mm]
WHITE (N)	6" [152.4mm]	BLUE	6" [152.4mm]
WHITE	6" [152.4mm]		
PURPLE	6" [152.4mm]		
PURPLE (+)	6" [152.4mm]		
GRAY (-)	6" [152.4mm]		



NOTE : This Driver Must Be Grounded

Fulham extends a limited warranty only to the original purchaser or to the first user for a period of 5 years @ Tc 85°C from the date of manufacture when properly installed and operated under normal conditions of use. For complete terms and conditions, please reference the Fulham Product Catalog ([www.fulham.com](http://www.fulham.com)). Due to a program of continuous improvement, Fulham reserves the right to make modifications or variations in design or construction to the equipment described. © Fulham Company Limited, All Rights Reserved.