

SPECIFICATION SHEET : SNS-277-3432-IS

This Is An Original Product From Fulham Co., Inc

Description: Sinehorse Series, High Frequency Electronic, Drop In Replacement for Magnetic, Parallel Wiring, Indoor and Outdoor Sign Applications

This Ballast Will Operate Following Lamps.

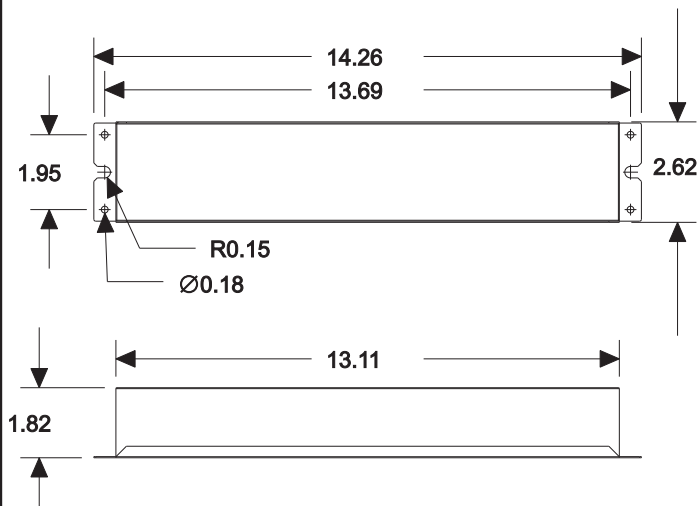


Fluorescent Lamp Ballast for any 3 or 4 lamp combination of 800mA T12HO lamps. NO single lamp may be longer than 8 feet.

ELECTRICAL DATA (277V APPLICATION)

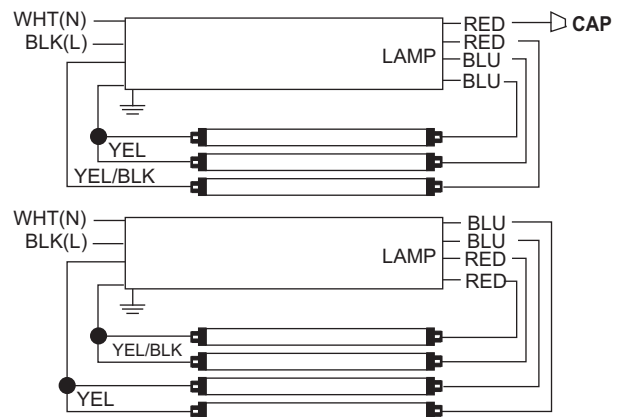
INPUT VOLT: 277V ± 10%, 50/60Hz									
LAMP WATTS/TYPE	F24T12HO	F48T12HO	F96T12HO	F24T12HO F48T12HO F72T12HO F96T12HO	F96T12HO	-	-	-	-
LAMPS OPERATED	3			1 OF EACH	4				
INPUT POWER (W)	67	117	215	179	267				
LINE CURRENT (A)	0.26	0.43	0.78	0.65	0.96				
POWER FACTOR	> 0.9								
THD	< 10 %								
CURRENT CREST FACTOR	< 1.7								
EMI/RFI COMPLIANCE	FCC PART 18-A (Non-Consumer)								
SOUND RATING	" A "								
BALLAST TYPE	INSTANT START								
VOLTAGE TRANSIENTS	-								
INPUT/PROTECTION	FUSE								
OUTPUT/PROTECTION	DEACTIVATED LAMP PROTECTION								
MIN. OPERATING TEMP	-30 °C (-22 ° F)								
MAX. CASE TEMP	70 °C (158 ° F)								
APPROVALS/CLASS	UL /cUL LISTED, CLASS " P ", 2 OUTDOOR								

MECHANICAL DATA



WIRING DIAGRAM

WIRES	WHT	BLK	RED	BLU	YEL	YEL/BLK		
LENGTH-INCHES	36 ± 1"	36 ± 1"	136 ± 1"	136 ± 1"	136 ± 1"	136 ± 1"		



NOTE : This Ballast Case Must Be Grounded