

SPECIFICATION SHEET : SNS-120-3648-IS

This Is An Original Product From Fulham Co., Inc

Description: Sinehorse Series, High Frequency Electronic, Drop In Replacement for Magnetic, Parallel Wiring, Indoor and Outdoor Sign Applications

This Ballast Will Operate Following Lamps.

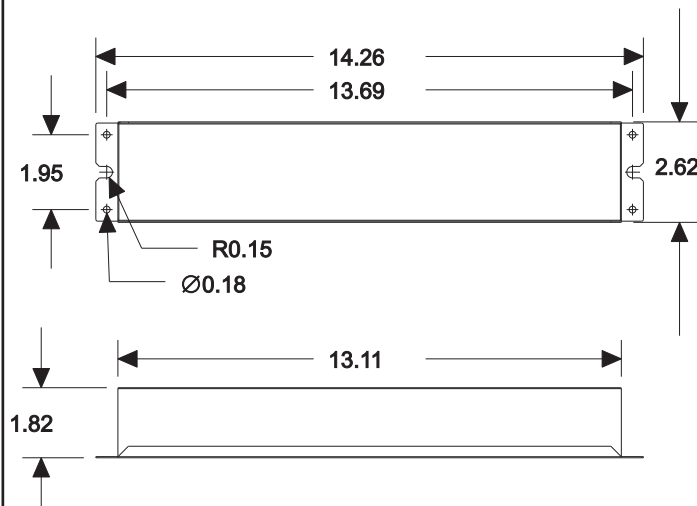


Fluorescent Lamp Ballast for any 3,4,5 or 6 lamp combination of 800mA T12HO lamps. NO single lamp may be longer than 8 feet.

ELECTRICAL DATA (120V APPLICATION)

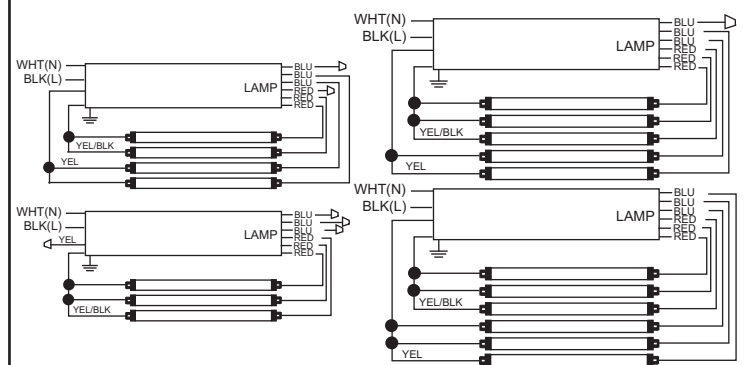
INPUT VOLT: 120V ± 10%, 50/60Hz									
LAMP WATTS/TYPE	F96T12HO	F96T12HO	F96T12HO	F96T12HO					
LAMPS OPERATED	3	4	5	6					
INPUT POWER (W)	241	302	350	404					
LINE CURRENT (A)	2.02	2.53	2.92	3.34					
POWER FACTOR	> 0.9								
THD	< 10 %								
CURRENT CREST FACTOR	< 1.7								
EMI/RFI COMPLIANCE	FCC PART 18-A (Non-Consumer)								
SOUND RATING	" A "								
BALLAST TYPE	INSTANT START								
VOLTAGE TRANSIENTS	-								
INPUT/PROTECTION	FUSE								
OUTPUT/PROTECTION	DEACTIVATED LAMP PROTECTION								
MIN. OPERATING TEMP	-30 °C (-22 ° F)								
MAX. CASE TEMP	70 °C (158 ° F)								
APPROVALS/CLASS	UL /cUL LISTED, CLASS " P ", 2 OUTDOOR								

MECHANICAL DATA



WIRING DIAGRAM

WIRES	WHT	BLK	RED	BLU	YEL	YEL/BLK		
LENGTH-INCHES	36 ± 1"	36 ± 1"	136 ± 1"	136 ± 1"	136 ± 1"	136 ± 1"		



NOTE : This Ballast Case Must Be Grounded

Fulham Co., Inc extends limited warranty only to the original purchaser or to the first user for the period of **4 years** from the date of manufacture as indicated by the date code stamped on each product and when properly installed and under normal conditions of use. For additional warranty guide line, please refer to our Complete Product Catalog OR call Customer Service at 1-323-599-5000., To order this product, Fax to 323-754-9060 OR email to order@fulham.com DUE TO A PROGRAM OF CONTINUOUS IMPROVEMENT, FULHAM Co., INC RESERVES THE RIGHT TO MAKE ANY VARIATION IN DESIGN OR CONSTRUCTION TO THE EQUIPMENT DESCRIBED.

Address : 12705 South Van Ness Ave., Hawthorne, CA 90250 Tel.: 1-323-599-5000, Fax.: 1-323-754-9060. Website: www.fulham.com

2006-155 rev A