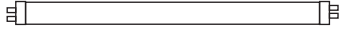


SPECIFICATION SHEET : SNS-120-3432-IS

This Is An Original Product From Fulham Co., Inc

Description: Sinehorse Series, High Frequency Electronic, Drop In Replacement for Magnetic, Parallel Wiring, Indoor and Outdoor Sign Applications

This Ballast Will Operate Following Lamps.

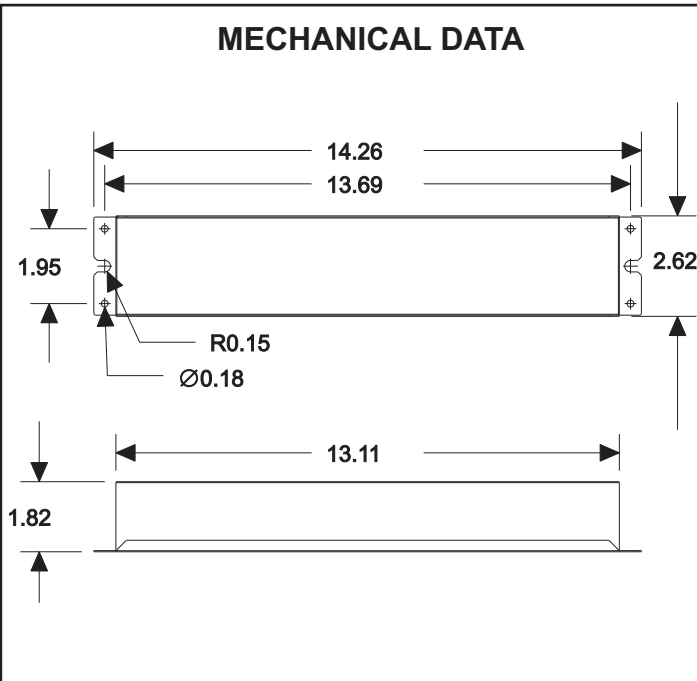


Fluorescent Lamp Ballast for any 3 or 4 lamp combination of 800mA T12HO lamps. NO single lamp may be longer than 8 feet.

ELECTRICAL DATA (120V APPLICATION)

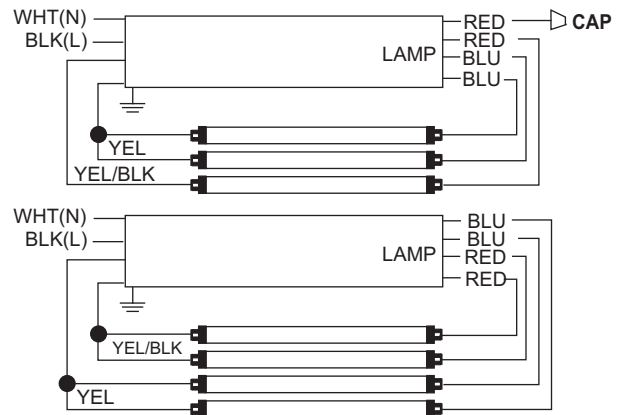
INPUT VOLT: 120V ± 10%, 50/60Hz								
LAMP WATTS/TYPE	F24T12HO	F48T12HO	F96T12HO	F24T12HO F48T12HO F72T12HO F96T12HO	F96T12HO	-	-	-
LAMPS OPERATED	3			1 OF EACH	4			
INPUT POWER (W)	67	116	213	178	266			
LINE CURRENT (A)	0.57	0.97	1.79	1.47	2.16			
POWER FACTOR	> 0.9							
THD	< 10 %							
CURRENT CREST FACTOR	< 1.7							
EMI/RFI COMPLIANCE	FCC PART 18-A (Non-Consumer)							
SOUND RATING	" A "							
BALLAST TYPE	INSTANT START							
VOLTAGE TRANSIENTS	-							
INPUT/PROTECTION	FUSE							
OUTPUT/PROTECTION	DEACTIVATED LAMP PROTECTION							
MIN. OPERATING TEMP	-30 °C (-22 °F)							
MAX. CASE TEMP	70 °C (158 °F)							
APPROVALS/CLASS	UL /cUL LISTED, CLASS " P ", 2 OUTDOOR							

MECHANICAL DATA



WIRING DIAGRAM

WIRES	WHT	BLK	RED	BLU	YEL	YEL/BLK		
LENGTH-INCHES	36 ± 1"	36 ± 1"	136 ± 1"	136 ± 1"	136 ± 1"	136 ± 1"		



NOTE : This Ballast Case Must Be Grounded