

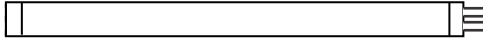
SPECIFICATION SHEET : SHS3-MLT-L



This Is An Original Product From Fulham Co., Inc

Description : Sun Horse electronic ballast developed for use with UV & tanning lamp applications

This Ballast Will Operate Following Lamps.

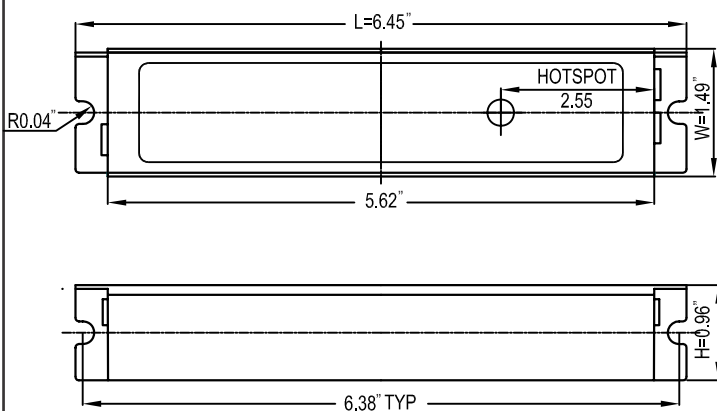


1 X 26-58W T5, 800mA UV LAMPs
OR
1 X GHO212T5/4, GHO287T5/4, GHO357T5/4,
GPH540T5LCA/HO/4C

ELECTRICAL DATA

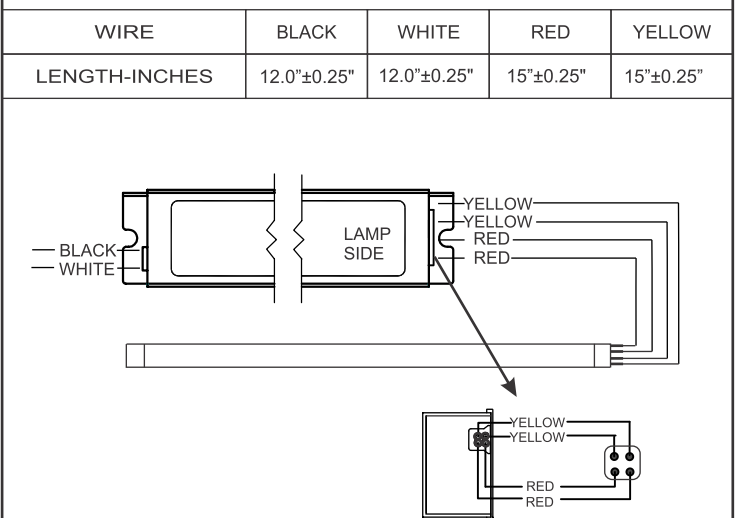
INPUT VOLTAGE	120VAC±10%, 50/60Hz			
LAMP WATTS TYPE	GHO212T5L/4	GHO287T5L/4	GHO357T5L/4	GPH540T5LCA/HO/4C
LAMPS OPERATED	1			
INPUT WATTS:(W)	21	28	35	41
LINE CURRENT:(A)	0.18	0.23	0.28	0.34
POWER FACTOR	>0.99			
THD	<10%			
EMI/RFI COMPLIANCE	FCC Part 18-B , EN55015			
SOUND RATING	A			
BALLAST TYPE	PREHEATED START			
VOLTAGE TRANSIENTS	ANSI/IEEE C62.41 CLASS A			
INPUT PROTECTION	FUSE			
OUTPUT PROTECTION	EOL			
MIN. OPERATING TEMP	0°C(32°F)			
MAX. CASE TEMP	75°C(167°F)			
POWER FACTOR CORRECTED	@ 240V WHEN USING LAMP TYPES HAS RATED POWER LESS THAN 32W			
APPROVALS/CLASS	UL /cUL LISTED, CLASS " P ", OUTDOOR TYPE 1,TYPE "CC",TYPE"HL";RoHS; CE			

MECHANICAL DATA



Where : L = Length, W = Width, H = Height, Tolerance=±0.02"

WIRING DIAGRAMS



NOTE : This Ballast Must Be Grounded

Fulham extends a limited warranty only to the original purchaser or to the first user for a period of **5 years** from the date of manufacture when properly installed and operated under normal conditions of use. For complete terms and conditions, please reference the Fulham Product Catalog (www.fulham.com). Due to a program of continuous improvement, Fulham reserves the right to make modifications or variations in design or construction to the equipment described. © Fulham Company Limited, All Rights Reserved.

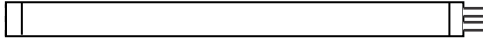
SPECIFICATION SHEET : SHS3-MLT-L



This Is An Original Product From Fulham Co., Inc

Description : Sun Horse electronic ballast developed for use with UV & tanning lamp applications

This Ballast Will Operate Following Lamps.

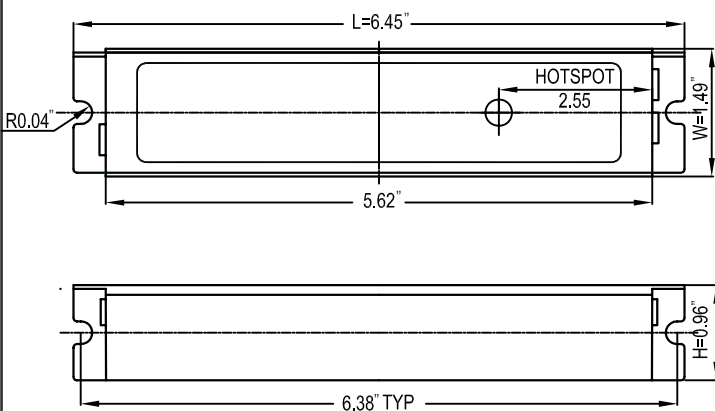


1 X 26-58W T5, 800mA UV LAMPs
OR
1 X GHO212T5/4, GHO287T5/4, GHO357T5/4,
GPH540T5LCA/HO/4C

ELECTRICAL DATA

INPUT VOLTAGE	240VAC±10%, 50/60Hz			
LAMP WATTS TYPE	GHO212T5L/4	GHO287T5L/4	GHO357T5L/4	GPH540T5LCA/HO/4C
LAMPS OPERATED	1			
INPUT WATTS:(W)	21	27	33	39
LINE CURRENT:(A)	0.10	0.12	0.14	0.17
POWER FACTOR	>0.87	>0.95	>0.96	>0.95
THD	<10%			
EMI/RFI COMPLIANCE	FCC Part 18-B , EN55015			
SOUND RATING	A			
BALLAST TYPE	PREHEATED START			
VOLTAGE TRANSIENTS	ANSI/IEEE C62.41 CLASS A			
INPUT PROTECTION	FUSE			
OUTPUT PROTECTION	EOL			
MIN. OPERATING TEMP	0°C(32°F)			
MAX. CASE TEMP	75°C(167°F)			
POWER FACTOR CORRECTED	@ 240V WHEN USING LAMP TYPES HAS RATED POWER LESS THAN 32W			
APPROVALS/CLASS	UL /cUL LISTED, CLASS " P ", OUTDOOR TYPE 1,TYPE "CC",TYPE"HL";RoHS; CE			

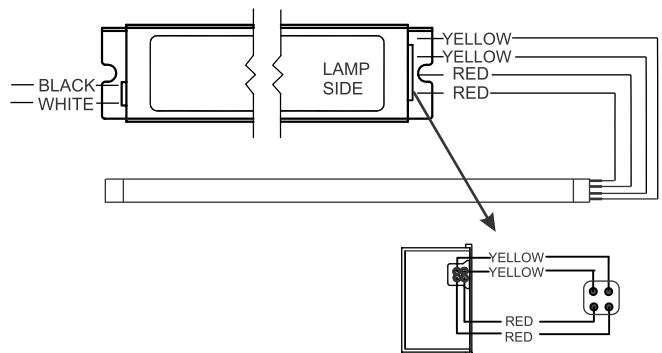
MECHANICAL DATA



Where : L = Length, W = Width, H = Height, Tolerance=±0.02"

WIRING DIAGRAMS

WIRE	BLACK	WHITE	RED	YELLOW
LENGTH-INCHES	12.0"±0.25"	12.0"±0.25"	15"±0.25"	15"±0.25"



NOTE : This Ballast Must Be Grounded

Fulham extends a limited warranty only to the original purchaser or to the first user for a period of **5 years** from the date of manufacture when properly installed and operated under normal conditions of use. For complete terms and conditions, please reference the Fulham Product Catalog (www.fulham.com). Due to a program of continuous improvement, Fulham reserves the right to make modifications or variations in design or construction to the equipment described. © Fulham Company Limited, All Rights Reserved.