

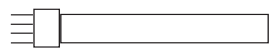
SPECIFICATION SHEET : SHS15-UNV-H

This Is An Original Product From Fulham Co., Inc

Description : Sun Horse electronic ballast developed for use with UV & tanning lamp applications

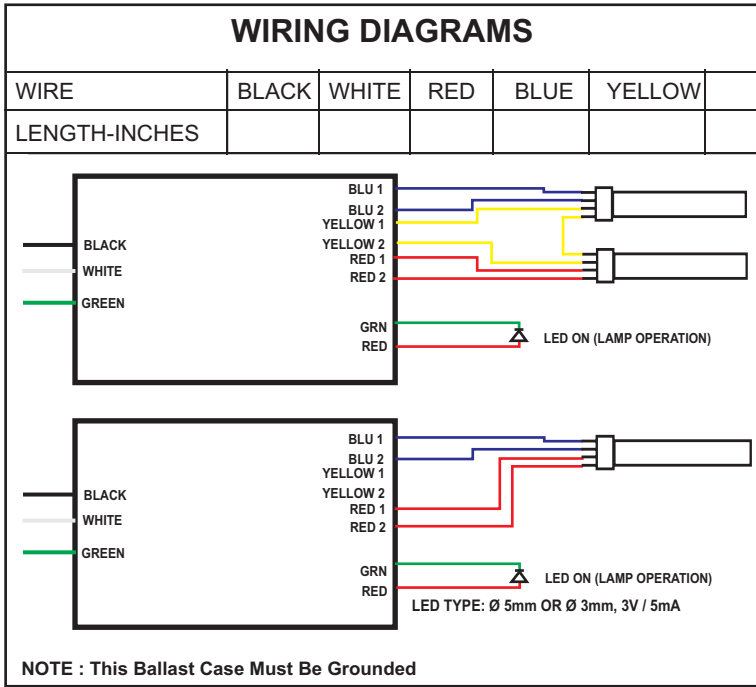
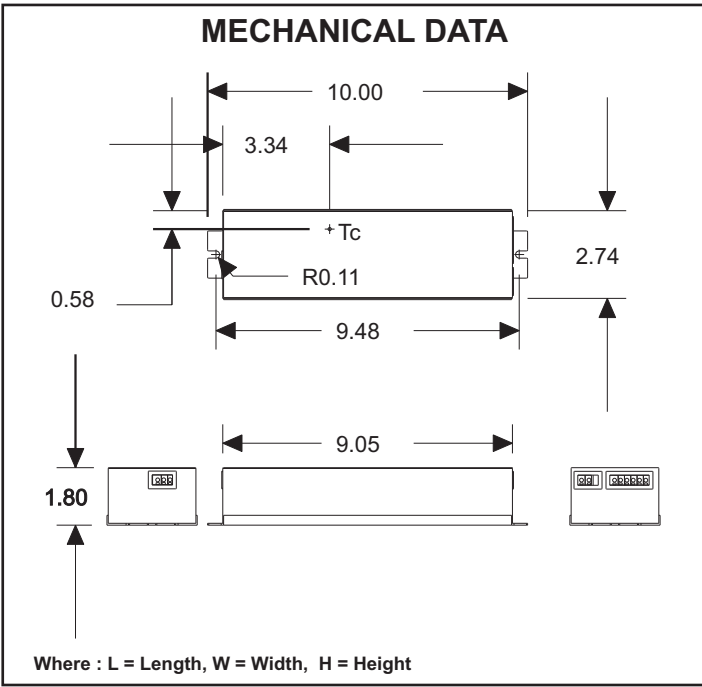
This Ballast Will Operate Following Lamps.

87-155W T5 800mA UV lamps
 GHO36T5L (87W), GHO64T5L (155W),
 GHO893T5L (95W), GHO846T5L (90W)



ELECTRICAL DATA (120V APPLICATION)

INPUT VOLT: 120V ± 10%, 50/60Hz								
LAMP WATTS/TYPE	GHO36T5L	GHO64T5L	GHO893T5L	GHO846T5L	GHO36T5L	GHO64T5L	GHO893T5L	GHO846T5L
LAMPS OPERATED	1				2			
INPUT WATTS	86	159.7	92.7	83.3	165	309.2	185.4	161.6
LINE CURRENT:	0.73	1.33	0.78	0.70	1.38	2.58	1.55	1.34
POWER FACTOR	0.985	0.996	0.987	0.984	0.996	0.998	0.997	0.996
BALLAST FACTOR	1.09	1.07	1.09	1.09	1.05	1.02	1.05	1.05
EFFICACY FACTOR	1.26	0.67	1.17	1.30	0.64	0.33	0.57	0.65
THD	11%	6%	11%	11%	6%	3%	5%	6%
CURRENT CREST FACTOR	<1.7							
EMI/RFI COMPLIANCE	FCC PART 18-B (Consumer)							
SOUND RATING	" A "							
BALLAST TYPE	PROGRAMMED START							
VOLTAGE TRANSIENTS	ANSI 62.41							
INPUT/PROTECTION	FUZE							
OUTPUT/PROTECTION	EOL							
MIN. OPERATING TEMP	0°C (32° F)							
MAX. CASE TEMP	70°C (158° F)							
TYPE "CC", TYPE "HL"	APPROVED							
APPROVALS/CLASS	UL /cUL LISTED, CLASS " P ",TYPE 1 OUTDOOR, CE							



Fulham extends a limited warranty only to the original purchaser or to the first user for a period of 5 years from the date of manufacture when properly installed and operated under normal conditions of use. For complete terms and conditions, please reference the Fulham product catalog (www.fulham.com)
Due to a program of continuous improvement, Fulham reserves the right to make modifications or variations in design or construction to the equipment described.

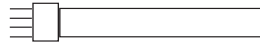
SPECIFICATION SHEET : SHS15-UNV-H

This Is An Original Product From Fulham Co., Inc

Description : Sun Horse electronic ballast developed for use with UV & tanning lamp applications

This Ballast Will Operate Following Lamps.

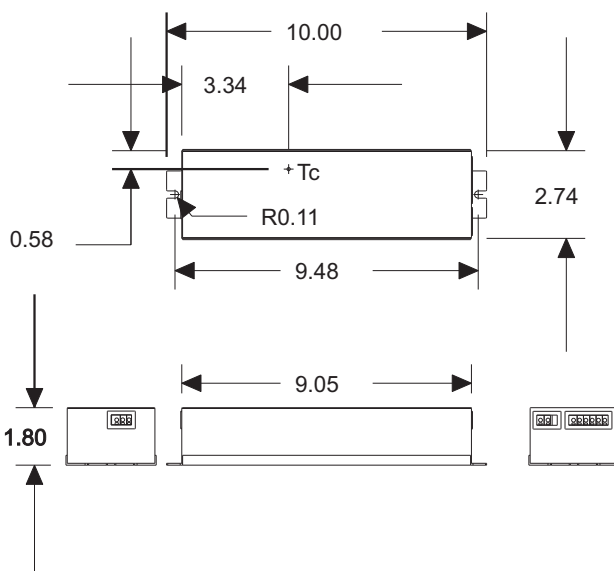
87-155W T5 800mA UV lamps
 GHO36T5L (87W), GHO64T5L (155W),
 GHO893T5L (95W), GHO846T5L (90W)



ELECTRICAL DATA (277V APPLICATION)

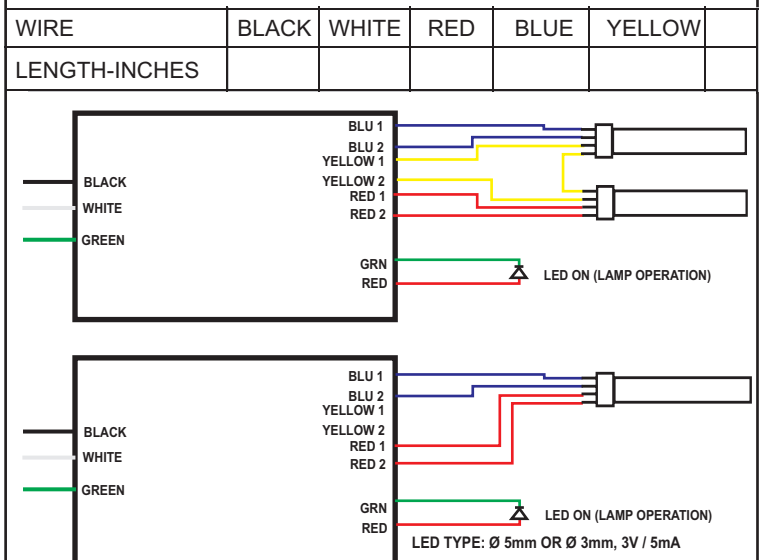
INPUT VOLT: 277V ± 10%, 50/60Hz								
LAMP WATTS/TYPE	GHO36T5L	GHO64T5L	GHO893T5L	GHO846T5L	GHO36T5L	GHO64T5L	GHO893T5L	GHO846T5L
LAMPS OPERATED	1				2			
INPUT WATTS	88.3	159.7	94.9	85.7	164.2	304.3	184.0	160.0
LINE CURRENT:	0.427	0.641	0.446	0.418	0.657	1.134	0.723	0.644
POWER FACTOR	0.743	0.897	0.764	0.737	0.902	0.965	0.920	0.898
BALLAST FACTOR	1.087	1.079	1.088	1.086	1.054	1.025	1.053	1.052
EFFICACY FACTOR	1.231	0.675	1.146	1.267	0.642	0.337	0.572	0.658
THD	29%	19%	31%	30%	18%			
CURRENT CREST FACTOR	<1.7							
EMI/RFI COMPLIANCE	FCC PART 18-B (Consumer)							
SOUND RATING	" A "							
BALLAST TYPE	PROGRAMMED START							
VOLTAGE TRANSIENTS	ANSI 62.41							
INPUT/PROTECTION	FUZE							
OUTPUT/PROTECTION	EOL							
MIN. OPERATING TEMP	0°C (32° F)							
MAX. CASE TEMP	70°C (158° F)							
TYPE "CC", TYPE "HL"	APPROVED							
APPROVALS/CLASS	UL /cUL LISTED, CLASS " P ",TYPE 1 OUTDOOR, CE							

MECHANICAL DATA



Where : L = Length, W = Width, H = Height

WIRING DIAGRAMS



NOTE : This Ballast Case Must Be Grounded

Fulham extends a limited warranty only to the original purchaser or to the first user for a period of 5 years from the date of manufacture when properly installed and operated under normal conditions of use. For complete terms and conditions, please reference the Fulham product catalog (www.fulham.com)
Due to a program of continuous improvement, Fulham reserves the right to make modifications or variations in design or construction to the equipment described.