

SPECIFICATION SHEET : SHS14-UNV-H

This Is An Original Product From Fulham Co., Inc

Description : Sun Horse electronic ballast developed for use with UV & tanning lamp applications

This Ballast Will Operate Following Lamps.

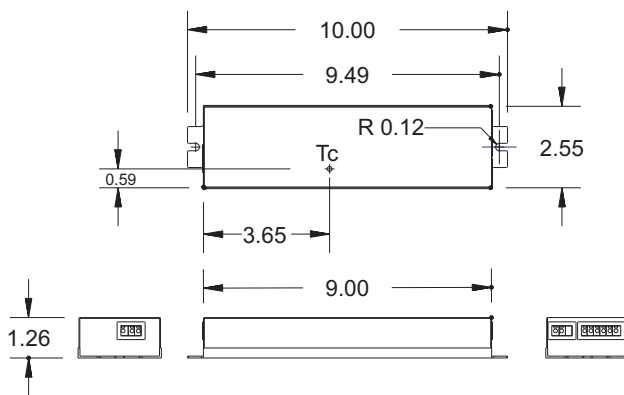
21-79W T5 425mA UV lamps
 GPH1630T5L (79W), GPH1554T5L (75W),
 GPH1148T5L (55W), GPH843T5L (41W), GPH793T5L (38W)
 GPH436T5L (21W), TUV36W



ELECTRICAL DATA (120V APPLICATION)

INPUT VOLT: 120V ± 10%, 50/60Hz							
LAMP WATTS/TYPE	GPH1630T5L	GPH1554T5L	GPH1148T5L	GPH843T5L	GPH793T5L	GPH436T5L	TUV 36W
LAMPS OPERATED	1						
INPUT WATTS	89	86	60	48	45	27	45
LINE CURRENT:	0.74	0.72	0.50	0.40	0.38	0.23	0.38
POWER FACTOR	0.997	0.997	0.993	0.989	0.988	0.970	0.988
BALLAST FACTOR	1.07	1.07	1.08	1.08	1.08	1.08	1.08
EFFICACY FACTOR	1.20	1.24	1.81	2.26	2.39	4.00	2.40
THD	8%	8%	10%	12%	13%	19%	13%
CURRENT CREST FACTOR	<1.7						
EMI/RFI COMPLIANCE	FCC PART 18-B (Consumer)						
SOUND RATING	" A "						
BALLAST TYPE	PROGRAMMED PRE-HEAT START						
VOLTAGE TRANSIENTS	ANSI 62.41						
INPUT/PROTECTION	FUSE						
OUTPUT/PROTECTION	EOL						
MIN. OPERATING TEMP	0°C (32° F)						
MAX. CASE TEMP	70°C (158°F)						
TYPE "CC", TYPE "HL", RoHS	APPROVED						
APPROVALS/CLASS	UL /cUL LISTED, CLASS " P ", TYPE 1 OUTDOOR, CE						

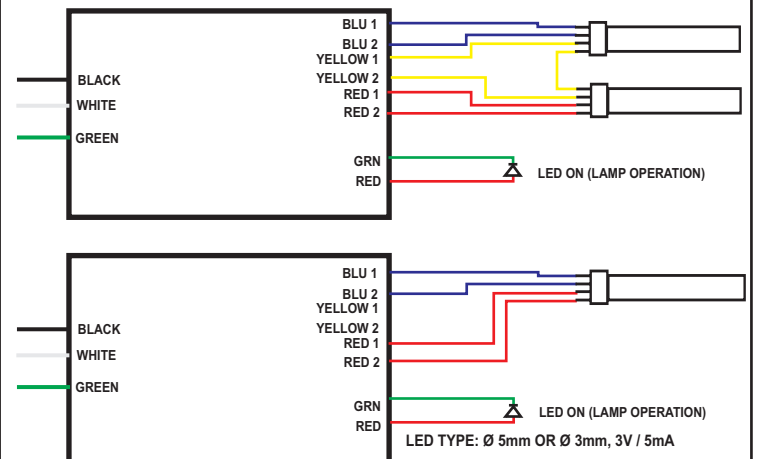
MECHANICAL DATA



±0.1" tolerance

WIRING DIAGRAMS

WIRE	BLACK	WHITE	RED	BLUE	YELLOW	
LENGTH-INCHES						



NOTE : This Ballast Case Must Be Grounded

Fulham extends a limited warranty only to the original purchaser or to the first user for a period of 5 years from the date of manufacture when properly installed and operated under normal conditions of use. For complete terms and conditions, please reference the Fulham product catalog (www.fulham.com)
Due to a program of continuous improvement, Fulham reserves the right to make modifications or variations in design or construction to the equipment described. © Fulham Co., Inc. All Rights Reserved.

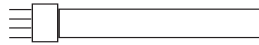
SPECIFICATION SHEET : SHS14-UNV-H

This Is An Original Product From Fulham Co., Inc

Description : Sun Horse electronic ballast developed for use with UV & tanning lamp applications

This Ballast Will Operate Following Lamps.

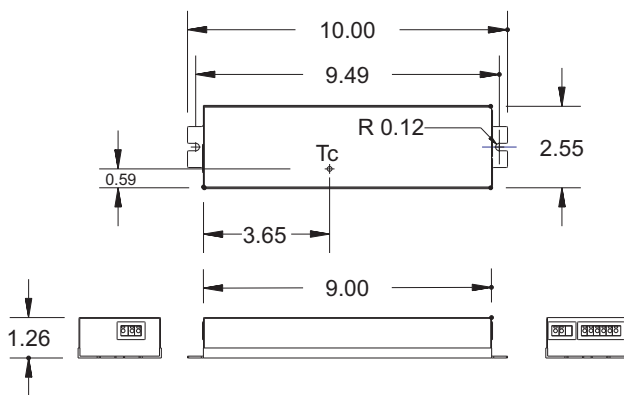
21-79W T5 425mA UV lamps
 GPH1630T5L (79W), GPH1554T5L (75W),
 GPH1148T5L (55W), GPH843T5L (41W), GPH793T5L (38W)
 GPH436T5L (21W), TUV36W



ELECTRICAL DATA (120V APPLICATION)

INPUT VOLT: 120V ± 10%, 50/60Hz							
LAMP WATTS/TYPE	GPH1630T5L	GPH1554T5L	GPH1148T5L	GPH843T5L	GPH793T5L	GPH436T5L	TUV 36W
LAMPS OPERATED	2						
INPUT WATTS	170	166	113	88	84	49	84
LINE CURRENT:	1.42	1.39	0.94	0.73	0.70	0.42	0.71
POWER FACTOR	0.998	0.998	0.997	0.996	0.996	0.990	0.996
BALLAST FACTOR	0.99	0.99	1.02	1.03	1.03	1.04	1.03
EFFICACY FACTOR	0.58	0.60	0.90	1.17	1.23	2.12	1.22
THD	5%	4%	6%	8%	8%	12%	8%
CURRENT CREST FACTOR	<1.7						
EMI/RFI COMPLIANCE	FCC PART 18-B (Consumer)						
SOUND RATING	" A "						
BALLAST TYPE	PROGRAMMED PRE-HEAT START						
VOLTAGE TRANSIENTS	ANSI 62.41						
INPUT/PROTECTION	FUSE						
OUTPUT/PROTECTION	EOL						
MIN. OPERATING TEMP	0°C (32° F)						
MAX. CASE TEMP	70°C (158°F)						
TYPE "CC", TYPE "HL", RoHS	APPROVED						
APPROVALS/CLASS	UL /cUL LISTED, CLASS " P ", TYPE 1 OUTDOOR, CE						

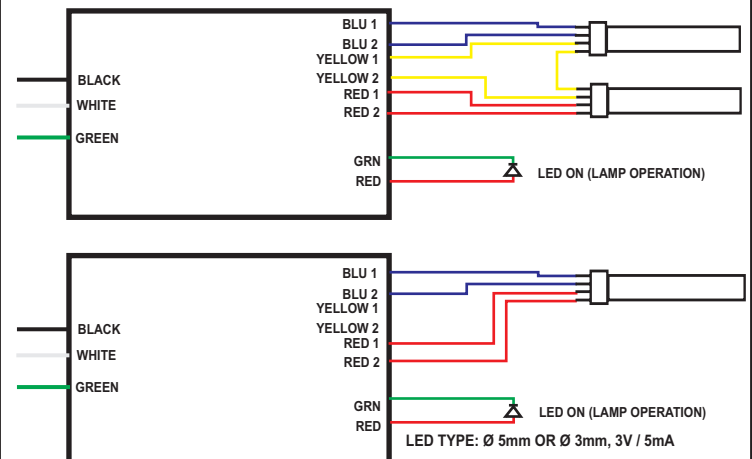
MECHANICAL DATA



±0.1" tolerance

WIRING DIAGRAMS

WIRE	BLACK	WHITE	RED	BLUE	YELLOW	
LENGTH-INCHES						



NOTE : This Ballast Case Must Be Grounded

Fulham extends a limited warranty only to the original purchaser or to the first user for a period of 5 years from the date of manufacture when properly installed and operated under normal conditions of use. For complete terms and conditions, please reference the Fulham product catalog (www.fulham.com)
Due to a program of continuous improvement, Fulham reserves the right to make modifications or variations in design or construction to the equipment described. © Fulham Co., Inc. All Rights Reserved.

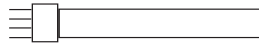
SPECIFICATION SHEET : SHS14-UNV-H

This Is An Original Product From Fulham Co., Inc

Description : Sun Horse electronic ballast developed for use with UV & tanning lamp applications

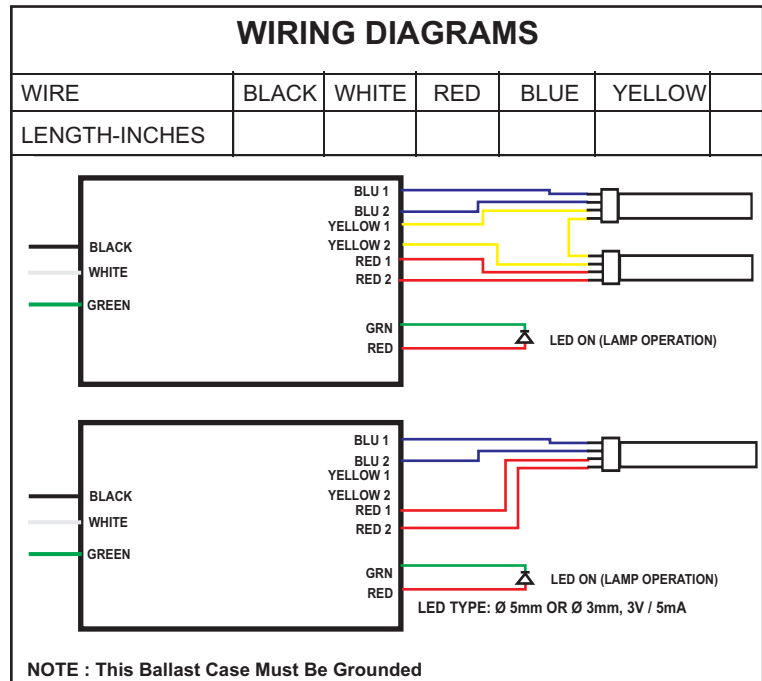
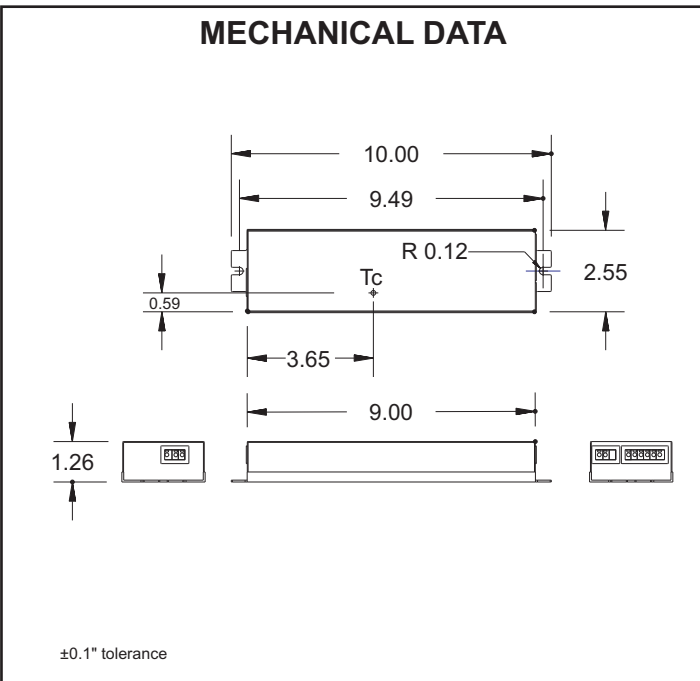
This Ballast Will Operate Following Lamps.

21-79W T5 425mA UV lamps
 GPH1630T5L (79W), GPH1554T5L (75W),
 GPH1148T5L (55W), GPH843T5L (41W), GPH793T5L (38W)
 GPH436T5L (21W), TUV36W



ELECTRICAL DATA (277V APPLICATION)

INPUT VOLT: 277V ± 10%, 50/60Hz							
LAMP WATTS/TYPE	GPH1630T5L	GPH1554T5L	GPH1148T5L	GPH843T5L	GPH793T5L	GPH436T5L	TUV 36W
LAMPS OPERATED	1						
INPUT WATTS	90	87	61	50	47	29	47
LINE CURRENT:	0.34	0.33	0.25	0.21	0.21	0.15	0.20
POWER FACTOR	0.942	0.939	0.887	0.842	0.829	0.681	0.830
BALLAST FACTOR	1.07	1.07	1.07	1.08	1.08	1.08	1.08
EFFICACY FACTOR	1.19	1.23	1.76	2.17	2.28	3.75	2.30
THD	17%	17%	24%	28%	30%	44%	29%
CURRENT CREST FACTOR	<1.7						
EMI/RFI COMPLIANCE	FCC PART 18-B (Consumer)						
SOUND RATING	" A "						
BALLAST TYPE	PROGRAMMED PRE-HEAT START						
VOLTAGE TRANSIENTS	ANSI 62.41						
INPUT/PROTECTION	FUSE						
OUTPUT/PROTECTION	EOL						
MIN. OPERATING TEMP	0°C (32° F)						
MAX. CASE TEMP	70°C (158°F)						
TYPE "CC", TYPE "HL", RoHS	APPROVED						
APPROVALS/CLASS	UL /cUL LISTED, CLASS " P ", TYPE 1 OUTDOOR, CE						



Fulham extends a limited warranty only to the original purchaser or to the first user for a period of 5 years from the date of manufacture when properly installed and operated under normal conditions of use. For complete terms and conditions, please reference the Fulham product catalog (www.fulham.com)
Due to a program of continuous improvement, Fulham reserves the right to make modifications or variations in design or construction to the equipment described. © Fulham Co., Inc. All Rights Reserved.

SPECIFICATION SHEET : SHS14-UNV-H

This Is An Original Product From Fulham Co., Inc

Description : Sun Horse electronic ballast developed for use with UV & tanning lamp applications

This Ballast Will Operate Following Lamps.

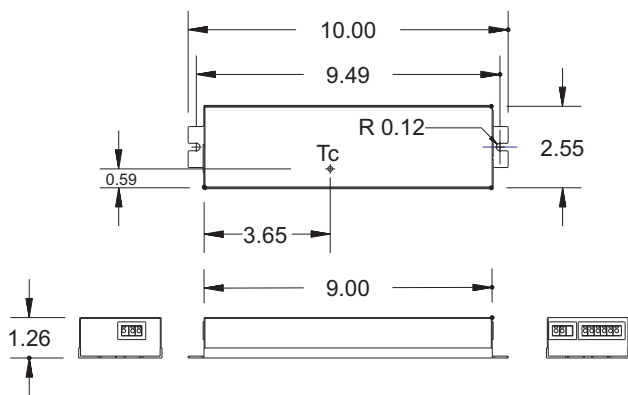
21-79W T5 425mA UV lamps
 GPH1630T5L (79W), GPH1554T5L (75W),
 GPH1148T5L (55W), GPH843T5L (41W), GPH793T5L (38W)
 GPH436T5L (21W), TUV36W



ELECTRICAL DATA (277V APPLICATION)

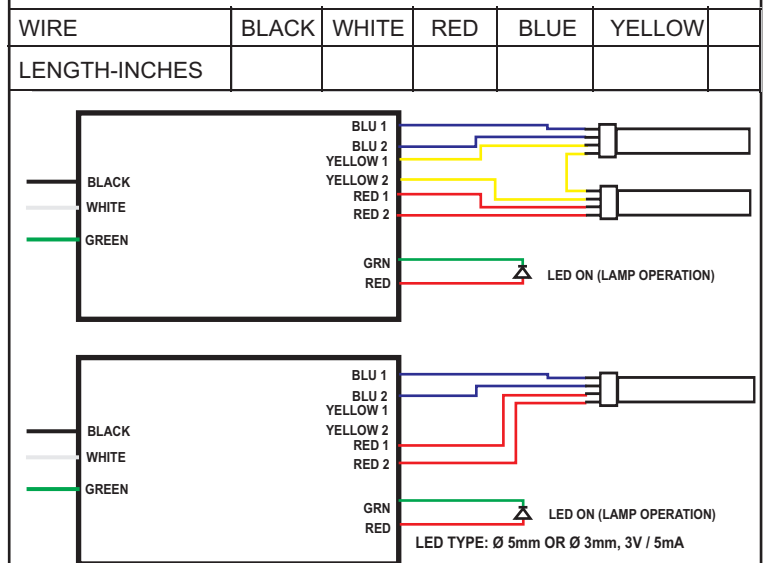
INPUT VOLT: 277V ± 10%, 50/60Hz							
LAMP WATTS/TYPE	GPH1630T5L	GPH1554T5L	GPH1148T5L	GPH843T5L	GPH793T5L	GPH436T5L	TUV 36W
LAMPS OPERATED	2						
INPUT WATTS	167	164	113	88	85	51	85
LINE CURRENT:	0.62	0.60	0.42	0.34	0.33	0.22	0.33
POWER FACTOR	0.982	0.981	0.961	0.940	0.932	0.846	0.937
BALLAST FACTOR	0.99	0.99	1.02	1.03	1.03	1.04	1.03
EFFICACY FACTOR	0.59	0.61	0.90	1.17	1.22	2.04	1.21
THD	10%	9%	14%	18%	20%	30%	18%
CURRENT CREST FACTOR	<1.7						
EMI/RFI COMPLIANCE	FCC PART 18-B (Consumer)						
SOUND RATING	" A "						
BALLAST TYPE	PROGRAMMED PRE-HEAT START						
VOLTAGE TRANSIENTS	ANSI 62.41						
INPUT/PROTECTION	FUSE						
OUTPUT/PROTECTION	EOL						
MIN. OPERATING TEMP	0°C (32° F)						
MAX. CASE TEMP	70°C (158°F)						
TYPE "CC", TYPE "HL", RoHS	APPROVED						
APPROVALS/CLASS	UL /cUL LISTED, CLASS " P ", TYPE 1 OUTDOOR, CE						

MECHANICAL DATA



±0.1" tolerance

WIRING DIAGRAMS



NOTE : This Ballast Case Must Be Grounded

Fulham extends a limited warranty only to the original purchaser or to the first user for a period of 5 years from the date of manufacture when properly installed and operated under normal conditions of use. For complete terms and conditions, please reference the Fulham product catalog (www.fulham.com)

Due to a program of continuous improvement, Fulham reserves the right to make modifications or variations in design or construction to the equipment described. © Fulham Co., Inc. All Rights Reserved.