

## SPECIFICATION SHEET : SHS1-UNV-C-I

This Is An Original Product From Fulham Co., Inc

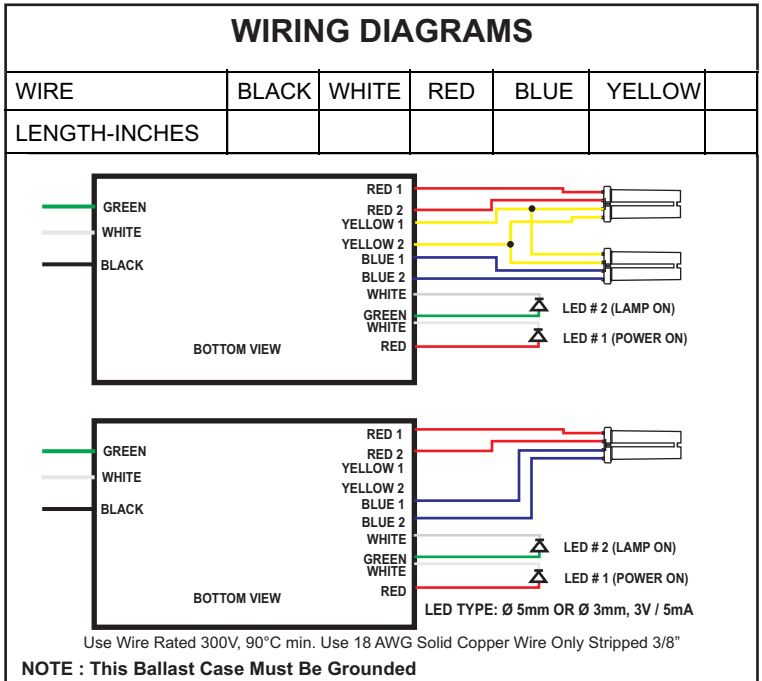
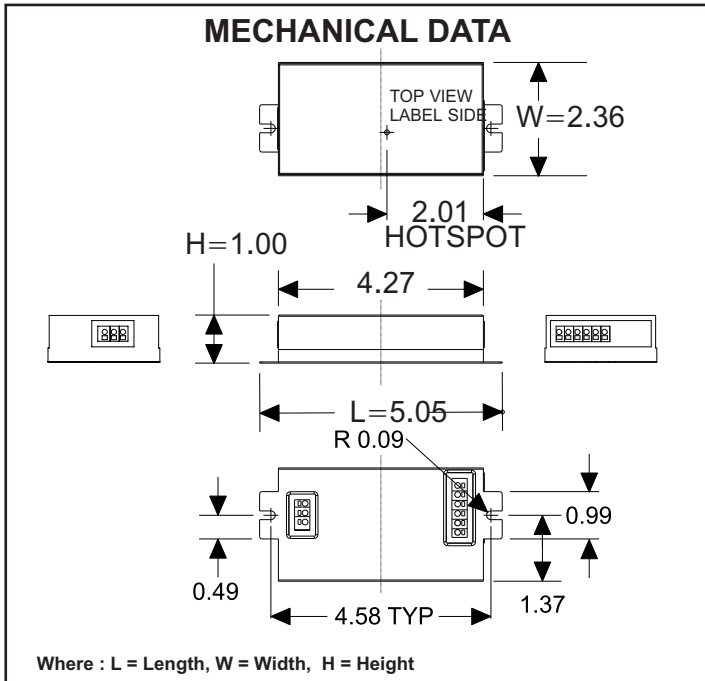
**Description : Sun Horse electronic ballast developed for use with UV & tanning lamp applications**

**This Ballast Will Operate Following Lamps.**

1. Refer to individual lamp listing for electrical data.
2. Approved for any T5 Ø, 425mA lamp.
3. Maximum ballast wattage 45W.

### ELECTRICAL DATA (120V APPLICATION)

INPUT VOLT: 120V ± 10%, 50/60Hz							
LAMP WATTS/TYPE	10WT5, 425mA	14WT5, 425mA	15WT5, 425mA	17WT5, 425mA	TUV18W	21WT5, 425mA	TUV36W
LAMPS OPERATED	1	1	1	1	1	1	1
INPUT WATTS	13.6	17.8	17.3	21.7	23.0	25.7	42.6
LINE CURRENT:	0.12	0.15	0.15	0.18	0.19	0.22	0.36
POWER FACTOR	> 0.98						
BALLAST FACTOR	0.97	0.96	0.96	0.96	1.11	0.97	0.93
THD	< 10%						
CURRENT CREST FACTOR	< 1.7						
EM/RFI COMPLIANCE	FCC PART 18-A (Non-Consumer)						
SOUND RATING	" A "						
BALLAST TYPE	Pre Heat						
VOLTAGE TRANSIENTS	ANSI 62.41						
INPUT/PROTECTION	FUSE						
OUTPUT/PROTECTION	EOL						
MIN. OPERATING TEMP	0 °C ( 32 °F )						
MAX. CASE TEMP	75 °C ( 167 °F )						
NOT HPF @ 277V :	1 x 17WT5/425mA, 1 x 15WT5/425mA, 1 x 14WT5/425mA, 1 or 2 x 10WT5/425mA, 1 x 16WT5/425mA, 1 x TUV 18W						
APPROVALS/CLASS	UL /cUL LISTED, CLASS " P ", Type 1 OUTDOOR, Type CC.						



Fulham extends a limited warranty only to the original purchaser or to the first user for a period of 3 years from the date of manufacture when properly installed and operated under normal conditions of use. For complete terms and conditions, please reference the Fulham product catalog ([www.fulham.com](http://www.fulham.com))

**Due to a program of continuous improvement, Fulham reserves the right to make modifications or variations in design or construction to the equipment described.**

## SPECIFICATION SHEET : SHS1-UNV-C-I

This Is An Original Product From Fulham Co., Inc

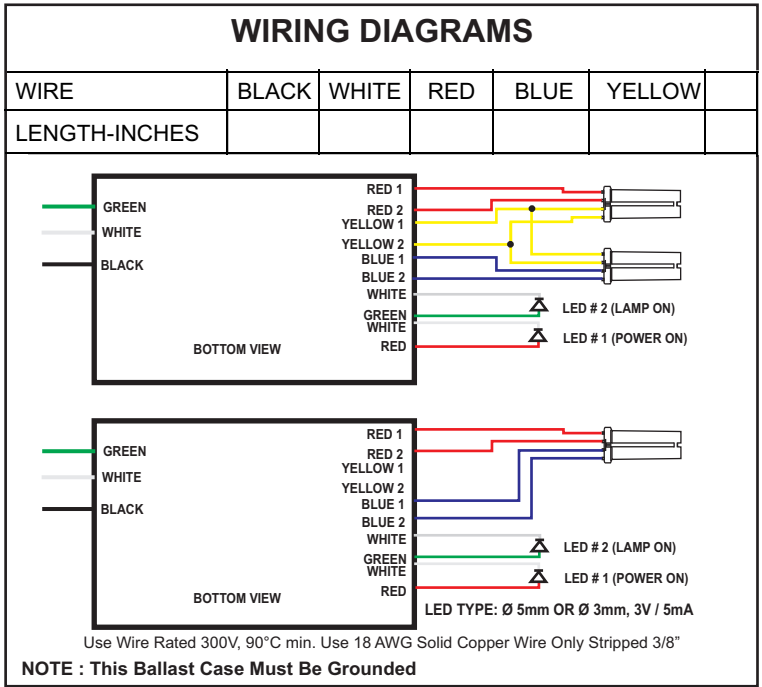
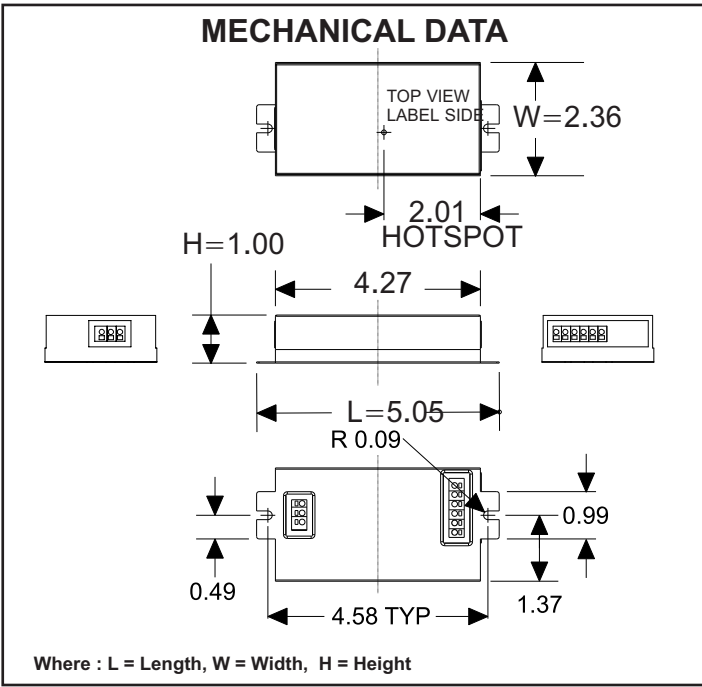
**Description : Sun Horse electronic ballast developed for use with UV & tanning lamp applications**

**This Ballast Will Operate Following Lamps.**

1. Refer to individual lamp listing for electrical data.
2. Approved for any T5 Ø, 425mA lamp.
3. Maximum ballast wattage 45W.

### ELECTRICAL DATA (120V APPLICATION)

INPUT VOLT: 120V ± 10%, 50/60Hz	
LAMP WATTS/TYPE	38WT5, 425mA    41WT5, 425mA
LAMPS OPERATED	1                    1
INPUT WATTS	44.7                47.5
LINE CURRENT:	0.37                0.39
POWER FACTOR	> 0.98
BALLAST FACTOR	0.96                0.96
THD	< 10%
CURRENT CREST FACTOR	< 1.7
EMI/RFI COMPLIANCE	FCC PART 18-A (Non-Consumer)
SOUND RATING	" A "
BALLAST TYPE	Pre Heat
VOLTAGE TRANSIENTS	ANSI 62.41
INPUT/PROTECTION	FUSE
OUTPUT/PROTECTION	EOL
MIN. OPERATING TEMP	0 °C ( 32 °F )
MAX. CASE TEMP	75 °C ( 167 °F )
NOT HPF @ 277V : 1 x 17WT5/425mA, 1 x 15WT5/425mA, 1 x 14WT5/425mA, 1 or 2 x 10WT5/425mA, 1 x 16WT5/425mA, 1 x TUV 18W	
APPROVALS/CLASS	UL /cUL LISTED, CLASS " P ", Type 1 OUTDOOR, Type CC.



Fulham extends a limited warranty only to the original purchaser or to the first user for a period of 3 years from the date of manufacture when properly installed and operated under normal conditions of use. For complete terms and conditions, please reference the Fulham product catalog ([www.fulham.com](http://www.fulham.com))

**Due to a program of continuous improvement, Fulham reserves the right to make modifications or variations in design or construction to the equipment described.**

## SPECIFICATION SHEET : SHS1-UNV-C-I

This Is An Original Product From Fulham Co., Inc

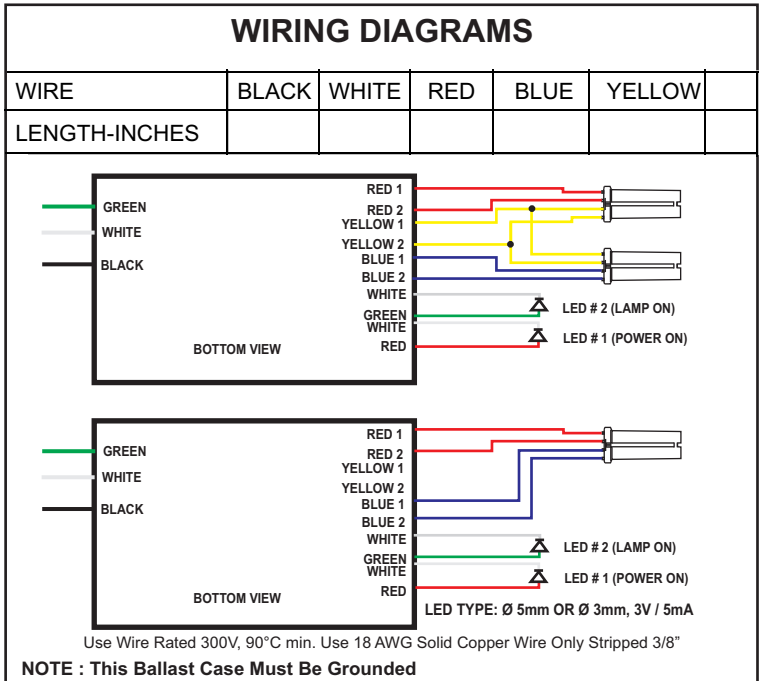
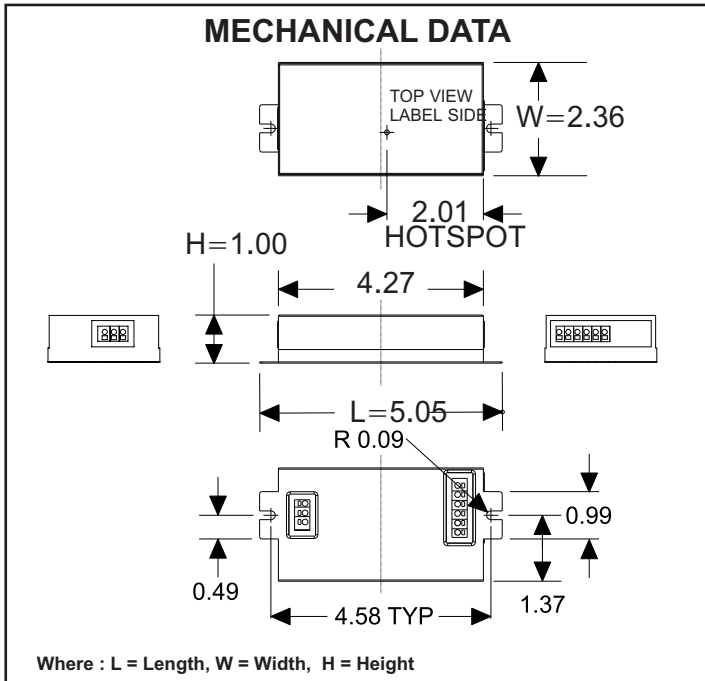
**Description : Sun Horse electronic ballast developed for use with UV & tanning lamp applications**

**This Ballast Will Operate Following Lamps.**

1. Refer to individual lamp listing for electrical data.
2. Approved for any T5 Ø, 425mA lamp.
3. Maximum ballast wattage 45W.

### ELECTRICAL DATA (120V APPLICATION)

INPUT VOLT: 120V ± 10%, 50/60Hz							
LAMP WATTS/TYPE	10WT5, 425mA	14WT5, 425mA	15WT5, 425mA	17WT5, 425mA	TUV 18W	21WT5, 425mA	
LAMPS OPERATED	2	2	2	2	2	2	
INPUT WATTS	23.2	30.4	32.5	39.3	43.5	48.3	
LINE CURRENT:	0.20	0.26	0.27	0.33	0.36	0.40	
POWER FACTOR	> 0.98						
BALLAST FACTOR	0.96	0.94	0.94	0.94	1.10	0.96	
THD	< 10%						
CURRENT CREST FACTOR	< 1.7						
EM/RFI COMPLIANCE	FCC PART 18-A (Non-Consumer)						
SOUND RATING	" A "						
BALLAST TYPE	Pre Heat						
VOLTAGE TRANSIENTS	ANSI 62.41						
INPUT/PROTECTION	FUSE						
OUTPUT/PROTECTION	EOL						
MIN. OPERATING TEMP	0 °C ( 32 °F )						
MAX. CASE TEMP	75 °C ( 167 °F )						
NOT HPF @ 277V :	1 x 17WT5/425mA, 1 x 15WT5/425mA, 1 x 14WT5/425mA, 1 or 2 x 10WT5/425mA, 1 x 16WT5/425mA, 1 x TUV 18W						
APPROVALS/CLASS	UL /cUL LISTED, CLASS " P ", Type 1 OUTDOOR, Type CC.						



Fulham extends a limited warranty only to the original purchaser or to the first user for a period of 3 years from the date of manufacture when properly installed and operated under normal conditions of use. For complete terms and conditions, please reference the Fulham product catalog ([www.fulham.com](http://www.fulham.com))

**Due to a program of continuous improvement, Fulham reserves the right to make modifications or variations in design or construction to the equipment described.**

## SPECIFICATION SHEET : SHS1-UNV-C-I

This Is An Original Product From Fulham Co., Inc

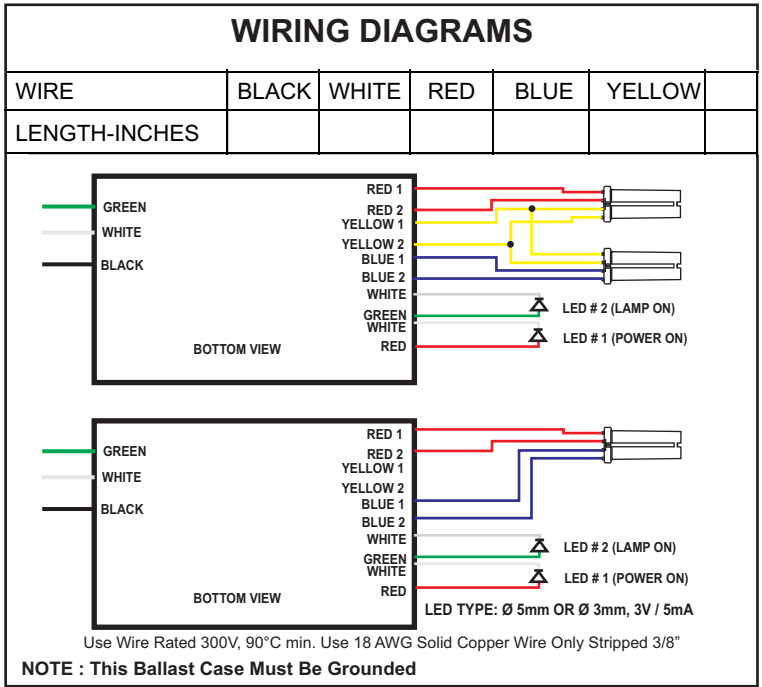
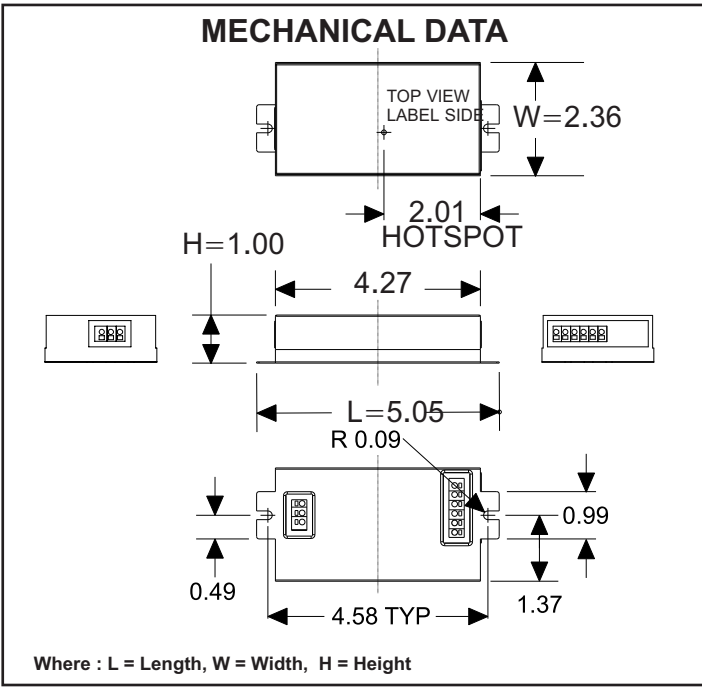
**Description : Sun Horse electronic ballast developed for use with UV & tanning lamp applications**

**This Ballast Will Operate Following Lamps.**

1. Refer to individual lamp listing for electrical data.
2. Approved for any T5 Ø, 425mA lamp.
3. Maximum ballast wattage 45W.

### ELECTRICAL DATA (277V APPLICATION)

INPUT VOLT: 277V ± 10%, 50/60Hz							
LAMP WATTS/TYPE	10WT5, 425mA	14WT5, 425mA	15WT5, 425mA	17WT5, 425mA	TUV 18W	21WT5, 425mA	TUV 36W
LAMPS OPERATED	1	1	1	1	1	1	1
INPUT WATTS	13.9	17.7	17.7	21.8	22.8	25.6	41.3
LINE CURRENT:	0.07	0.08	0.08	0.09	0.09	0.10	0.16
POWER FACTOR	0.79	0.81	0.81	> 0.9			
BALLAST FACTOR	0.97	0.96	0.96	0.95	1.11	0.97	0.93
THD	46.7%	31.3%	36.4%	22.1%	16.7%	15.6%	8.6%
CURRENT CREST FACTOR	< 1.7						
EM/RFI COMPLIANCE	FCC PART 18-A (Non-Consumer)						
SOUND RATING	" A "						
BALLAST TYPE	Pre Heat						
VOLTAGE TRANSIENTS	ANSI 62.41						
INPUT/PROTECTION	FUSE						
OUTPUT/PROTECTION	EOL						
MIN. OPERATING TEMP	0 °C ( 32 °F )						
MAX. CASE TEMP	75 °C ( 167 °F )						
NOT HPF @ 277V :	1 x 17WT5/425mA, 1 x 15WT5/425mA, 1 x 14WT5/425mA, 1 or 2 x 10WT5/425mA, 1 x 16WT5/425mA, 1 x TUV 18W						
APPROVALS/CLASS	UL /cUL LISTED, CLASS " P ", Type 1 OUTDOOR, Type CC.						



Fulham extends a limited warranty only to the original purchaser or to the first user for a period of 3 years from the date of manufacture when properly installed and operated under normal conditions of use. For complete terms and conditions, please reference the Fulham product catalog ([www.fulham.com](http://www.fulham.com))

**Due to a program of continuous improvement, Fulham reserves the right to make modifications or variations in design or construction to the equipment described.**

## SPECIFICATION SHEET : SHS1-UNV-C-I

This Is An Original Product From Fulham Co., Inc

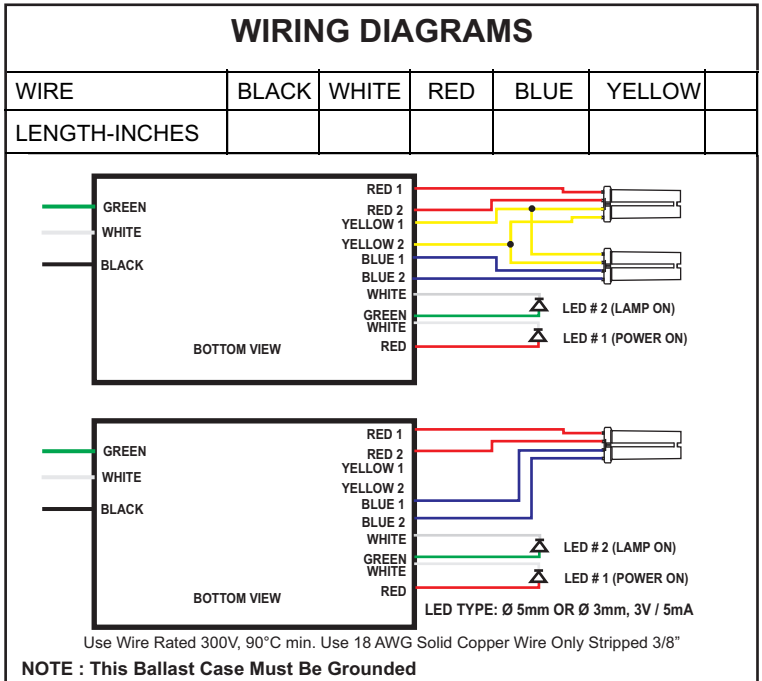
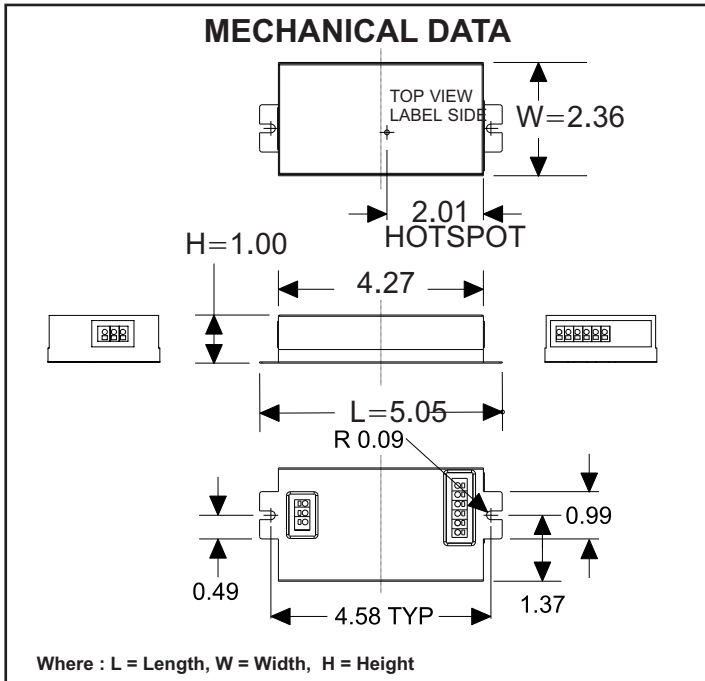
**Description : Sun Horse electronic ballast developed for use with UV & tanning lamp applications**

**This Ballast Will Operate Following Lamps.**

1. Refer to individual lamp listing for electrical data.
2. Approved for any T5 Ø, 425mA lamp.
3. Maximum ballast wattage 45W.

### ELECTRICAL DATA (277V APPLICATION)

INPUT VOLT: 277V ± 10%, 50/60Hz	
LAMP WATTS/TYPE	38WT5, 425mA    41WT5, 425mA
LAMPS OPERATED	1                    1
INPUT WATTS	42.8                46.6
LINE CURRENT:	0.16                0.17
POWER FACTOR	> 0.9
BALLAST FACTOR	0.96                0.96
THD	< 10%
CURRENT CREST FACTOR	< 1.7
EMI/RFI COMPLIANCE	FCC PART 18-A (Non-Consumer)
SOUND RATING	" A "
BALLAST TYPE	Pre Heat
VOLTAGE TRANSIENTS	ANSI 62.41
INPUT/PROTECTION	FUSE
OUTPUT/PROTECTION	EOL
MIN. OPERATING TEMP	0 °C ( 32 °F )
MAX. CASE TEMP	75 °C ( 167 °F )
NOT HPF @ 277V : 1 x 17WT5/425mA, 1 x 15WT5/425mA, 1 x 14WT5/425mA, 1 or 2 x 10WT5/425mA, 1 x 16WT5/425mA, 1 x TUV 18W	
APPROVALS/CLASS	UL /cUL LISTED, CLASS " P ", Type 1 OUTDOOR, Type CC.



Fulham extends a limited warranty only to the original purchaser or to the first user for a period of 3 years from the date of manufacture when properly installed and operated under normal conditions of use. For complete terms and conditions, please reference the Fulham product catalog ([www.fulham.com](http://www.fulham.com))

**Due to a program of continuous improvement, Fulham reserves the right to make modifications or variations in design or construction to the equipment described.**

## SPECIFICATION SHEET : SHS1-UNV-C-I

This Is An Original Product From Fulham Co., Inc

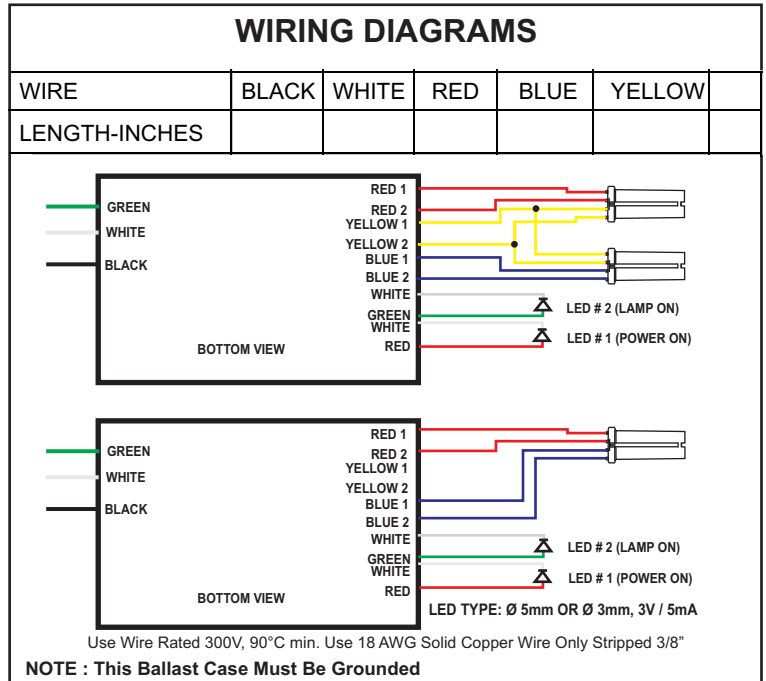
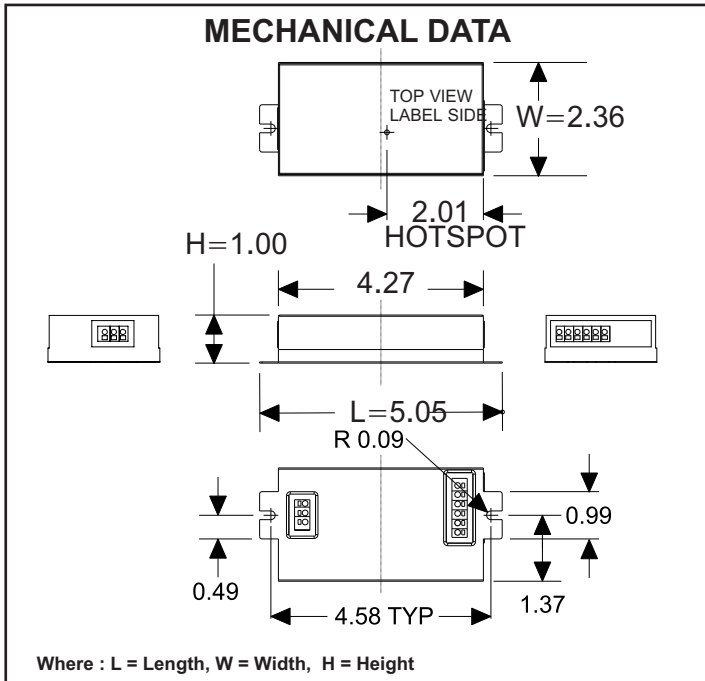
**Description : Sun Horse electronic ballast developed for use with UV & tanning lamp applications**

**This Ballast Will Operate Following Lamps.**

1. Refer to individual lamp listing for electrical data.
2. Approved for any T5 Ø, 425mA lamp.
3. Maximum ballast wattage 45W.

### ELECTRICAL DATA (277V APPLICATION)

INPUT VOLT: 277V ± 10%, 50/60Hz							
LAMP WATTS/TYPE	10WT5, 425mA	14WT5, 425mA	15WT5, 425mA	17WT5, 425mA	TUV 18W, 425mA	21WT5, 425mA	
LAMPS OPERATED	2	2	2	2	2	2	
INPUT WATTS	23.1	30.0	31.7	38.4	42.4	47.5	
LINE CURRENT:	0.09	0.12	0.12	0.15	0.16	0.18	
POWER FACTOR	> 0.9						
BALLAST FACTOR	0.96	0.94	0.94	0.93	1.10	0.96	
THD	16.6%	14.4%	13.4%	13.6%	10.9%	8.1%	
CURRENT CREST FACTOR	< 1.7						
EMI/RFI COMPLIANCE	FCC PART 18-A (Non-Consumer)						
SOUND RATING	" A "						
BALLAST TYPE	Pre Heat						
VOLTAGE TRANSIENTS	ANSI 62.41						
INPUT/PROTECTION	FUSE						
OUTPUT/PROTECTION	EOL						
MIN. OPERATING TEMP	0 °C ( 32 °F )						
MAX. CASE TEMP	75 °C ( 167 °F )						
NOT HPF @ 277V :	1 x 17WT5/425mA, 1 x 15WT5/425mA, 1 x 14WT5/425mA, 1 or 2 x 10WT5/425mA, 1 x 16WT5/425mA, 1 x TUV 18W						
APPROVALS/CLASS	UL /cUL LISTED, CLASS " P ", Type 1 OUTDOOR, Type CC.						



Fulham extends a limited warranty only to the original purchaser or to the first user for a period of 3 years from the date of manufacture when properly installed and operated under normal conditions of use. For complete terms and conditions, please reference the Fulham product catalog ([www.fulham.com](http://www.fulham.com))

**Due to a program of continuous improvement, Fulham reserves the right to make modifications or variations in design or construction to the equipment described.**

2013-383-6 Rev E