











## SPECIFICATION SHEET : SHS1-UNV-C

This Is An Original Product From Fulham Co., Inc

**Description : Sun Horse electronic ballast developed for use with UV & tanning lamp applications**

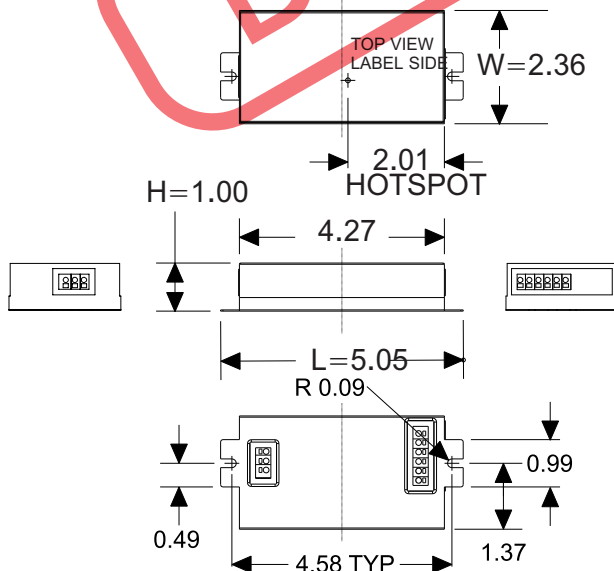
**This Ballast Will Operate Following Lamps.**

1. Refer to individual lamp listing for electrical data.
2. Approved for any T5 Ø, 425mA lamp.
3. Maximum ballast wattage 45W.

### ELECTRICAL DATA (277V APPLICATION)

INPUT VOLT: 277V ± 10%, 50/60Hz							
LAMP WATTS/TYPE	10WT5, 425mA	14WT5, 425mA	15WT5, 425mA	17WT5, 425mA	TUV 18W, 425mA	21WT5, 425mA	
LAMPS OPERATED	2	2	2	2	2	2	
INPUT WATTS	23.1	30.0	31.7	38.4	42.4	47.5	
LINE CURRENT:	0.09	0.12	0.12	0.15	0.16	0.18	
POWER FACTOR	> 0.9						
BALLAST FACTOR	0.96	0.94	0.94	0.93	1.10	0.96	
THD	16.6%	14.4%	13.4%	13.6%	10.9%	8.1%	
CURRENT CREST FACTOR	< 1.7						
EMI/RFI COMPLIANCE	FCC PART 18 - B (Consumer)						
SOUND RATING	" A "						
BALLAST TYPE	Pre Heat						
VOLTAGE TRANSIENTS	ANSI 62.41						
INPUT/PROTECTION	FUSE						
OUTPUT/PROTECTION	EOL						
MIN. OPERATING TEMP	0 °C ( 32 °F )						
MAX. CASE TEMP	75 °C ( 167 °F )						
NOT HPF @ 277V :	1 x 17WT5/425mA, 1 x 15WT5/425mA, 1 x 14WT5/425mA, 1 or 2 x 10WT5/425mA, 1 x 16WT5/425mA, 1 x TUV 18W						
APPROVALS/CLASS	UL /cUL LISTED, CLASS " P ", Type 1 OUTDOOR, Type CC.						

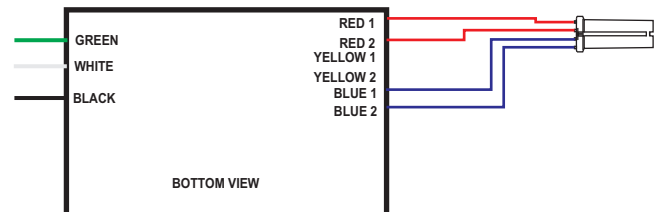
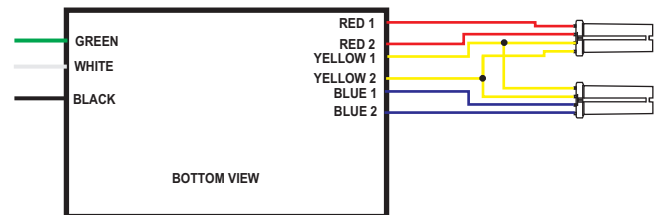
#### MECHANICAL DATA



Where : L = Length, W = Width, H = Height

#### WIRING DIAGRAMS

WIRE	BLACK	WHITE	RED	BLUE	YELLOW	
LENGTH-INCHES						



NOTE : This Ballast Case Must Be Grounded

Fulham extends a limited warranty only to the original purchaser or to the first user for a period of 3 years from the date of manufacture when properly installed and operated under normal conditions of use. For complete terms and conditions, please reference the Fulham product catalog ([www.fulham.com](http://www.fulham.com))  
**Due to a program of continuous improvement, Fulham reserves the right to make modifications or variations in design or construction to the equipment described.** © Fulham Company Limited, All Rights Reserved.