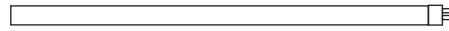


SPECIFICATION SHEET : SHGS6-MID-4-120-N

This Is An Original Product From Fulham Co., Inc

Description : Sun Horse electronic ballast developed for use with UV & tanning lamp applications

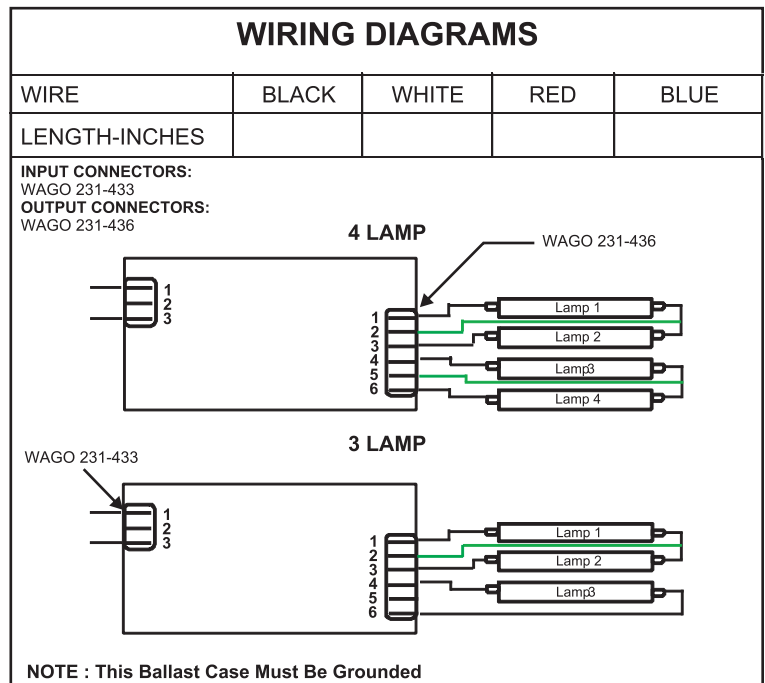
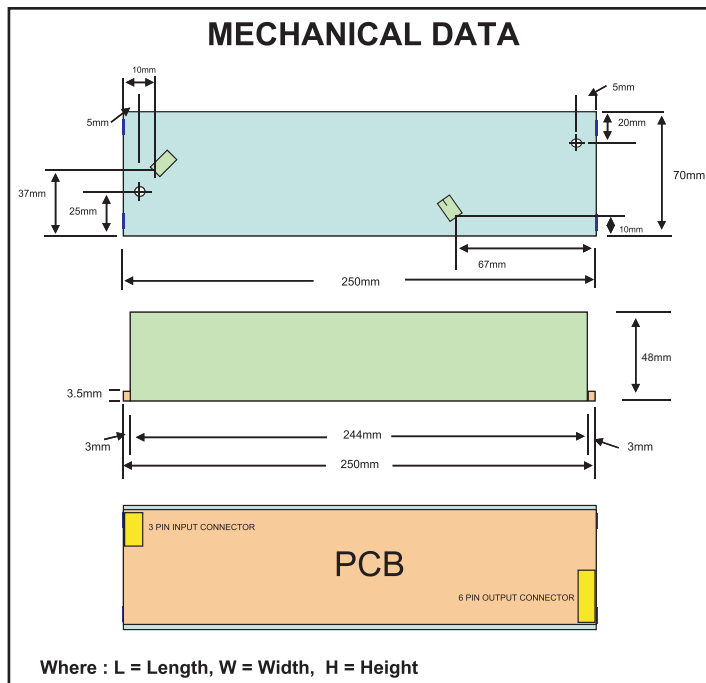
This Ballast Will Operate Following Lamps.



T12 HO
F59 (80W), F71/73 (100W), F74/79 (120W)

ELECTRICAL DATA (208 ~ 240V APPLICATION)

| | |
|-------------------------|--|
| INPUT VOLT | 208~240V ± 10%, 50/60Hz |
| LAMP WATTS/TYPE | T12 HO |
| LAMPS OPERATED | 3/4 |
| LAMP CONNECTION | 2 Series + 2 Parallel |
| LAMP OPERATED | F59 (80W) ,F71/73 (100W), F74/79 (120W) |
| INPUT WATTS | 380W |
| LINE CURRENT | 1.7A @240V |
| POWER FACTOR | >0.95 |
| THD | <10% |
| OPERATING FREQUENCY | >40KHz |
| EMI/RFI COMPLIANCE | Cispr 15 (when installed in metal housing) |
| SOUND RATING | A (24 dBa) |
| BALLAST TYPE | Instant Start |
| VOLTAGE TRANSIENTS | Yes |
| INPUT/OUTPUT CONNECTION | Connectors |
| MIN. OPERATING TEMP | 10°C (50°F) |
| MAX. CASE TEMP | 40°C (104°F) |



Fulham extends a limited warranty only to the original purchaser or to the first user for a period of 3 years from the date of manufacture when properly installed and operated under normal conditions of use. For complete terms and conditions, please reference the Fulham product catalog (www.fulham.com)
Due to a program of continuous improvement, Fulham reserves the right to make modifications or variations in design or construction to the equipment described.