

## SPECIFICATION SHEET : SHGD1-MID-2-200-L

This Is An Original Product From Fulham Co., Inc

**Description : Sun Horse electronic ballast developed for use with UV & tanning lamp applications**

**This Ballast Will Operate Following Lamps.**

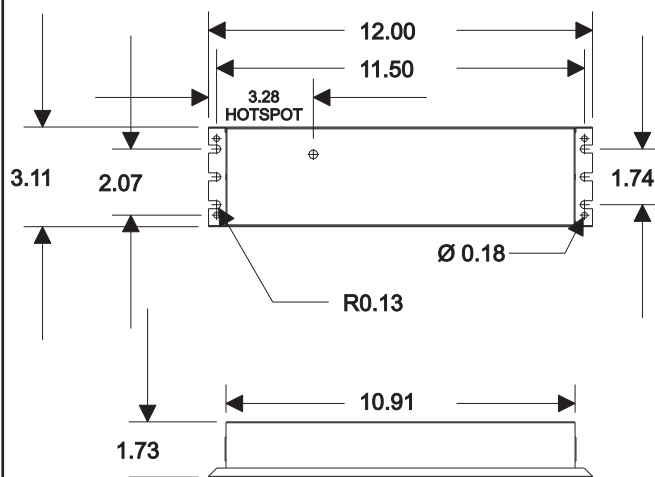


1 OR 2 X F59T12VHO, F60T12VHO,  
F71T12VHO, F72T12VHO, F73T12VHO,  
F74T12VHO, F79T12VHO

### ELECTRICAL DATA (208V APPLICATION)

INPUT VOLT: 208V ± 10%, 50/60Hz								
LAMP WATTS/TYPE	F59T12VHO	F60T12VHO	F71T12VHO	F72T12VHO	F73T12VHO	F74T12VHO	F79T12VHO	F79T12VHO
LAMP RATED POWER	140W	135W	160W	165W	160W	200W	180W	200W
LAMPS OPERATED	1							
INPUT WATTS	146	175	144	182	149	171	210	202
LINE CURRENT:	0.73	0.86	0.72	0.90	0.75	0.85	1.03	0.99
POWER FACTOR	0.96	0.97	0.96	0.97	0.96	0.97	0.98	0.98
BALLAST FACTOR	1.0	1.2	0.8	1.0	0.8	0.8	1.1	0.9
EFFICACY FACTOR	0.7	0.7	0.6	0.6	0.6	0.5	0.5	0.5
OPERATING FREQUENCY	54KHz							
THD	<15%							
CURRENT CRESS FACTOR	< 1.7							
EMI/RFI COMPLIANCE	FCC PART 18-A							
SOUND RATING	" A "							
BALLAST TYPE	INSTANT START							
VOLTAGE TRANSIENTS	ANSI C82.11 - 1993 / C62.41							
INHERENT THERMAL PROT.	YES							
MIN. OPERATING TEMP	0 °C ( 32 ° F )							
MAX. CASE TEMP	75 °C ( 167 ° F )							
DIMMING RANGE	100% TO 70%							
APPROVALS/CLASS	UL /cUL LISTED, CLASS " P ", 1 OUTDOOR, Class 2 Dimming Control							

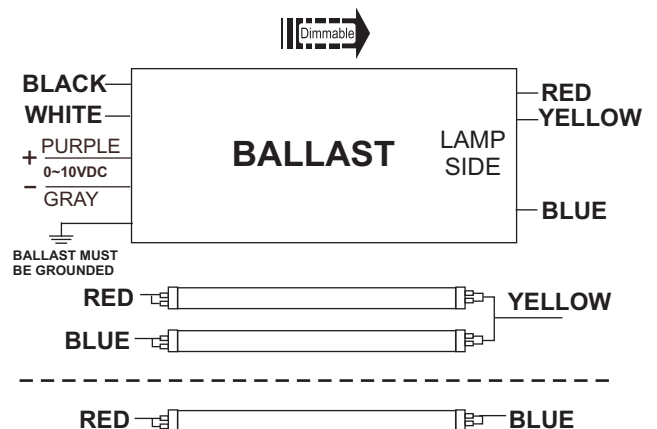
#### MECHANICAL DATA



Where : L = Length, W = Width, H = Height

#### WIRING DIAGRAMS

WIRE	BLK	WHT	-	BROWN	YELLOW	RED	BLUE	-
LENGTH-INCHES	72.0"	72.0"	-		72.0"	72.0"	72.0"	-



**NOTE : This Ballast Case Must Be Grounded**

Fulham extends a limited warranty only to the original purchaser or to the first user for a period of 3 years from the date of manufacture when properly installed and operated under normal conditions of use. For complete terms and conditions, please reference the Fulham product catalog ([www.fulham.com](http://www.fulham.com))  
**Due to a program of continuous improvement, Fulham reserves the right to make modifications or variations in design or construction to the equipment described.**

## SPECIFICATION SHEET : SHGD1-MID-2-200-L

This Is An Original Product From Fulham Co., Inc

**Description : Sun Horse electronic ballast developed for use with UV & tanning lamp applications**

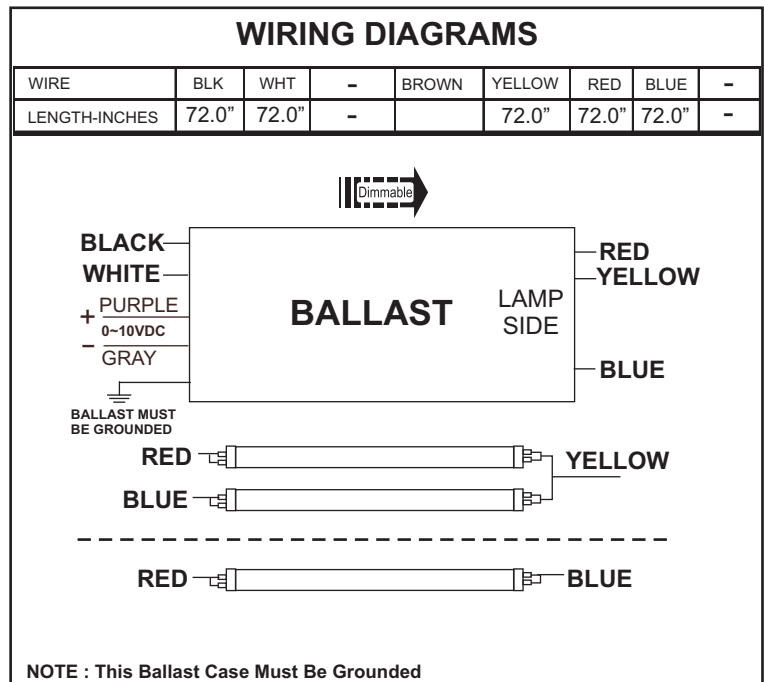
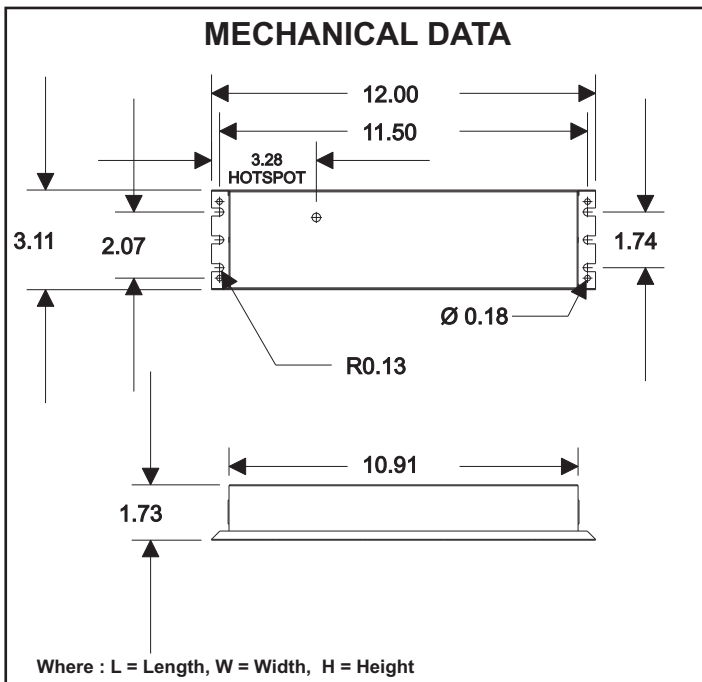
**This Ballast Will Operate Following Lamps.**



1 OR 2 X F59T12VHO, F60T12VHO,  
F71T12VHO, F72T12VHO, F73T12VHO,  
F74T12VHO, F79T12VHO

### ELECTRICAL DATA (208V APPLICATION)

INPUT VOLT: 208V ± 10%, 50/60Hz								
LAMP WATTS/TYPE	F59T12VHO	F60T12VHO	F71T12VHO	F72T12VHO	F73T12VHO	F74T12VHO	F79T12VHO	F79T12VHO
LAMP RATED POWER	140W	135W	160W	165W	160W	200W	180W	200W
LAMPS OPERATED	2							
INPUT WATTS	269	327	273	350	306	349	366	368
LINE CURRENT:	1.31	1.58	1.33	1.69	1.48	1.69	1.77	1.78
POWER FACTOR	0.99	0.99	0.99	0.99	0.99	0.99	0.99	0.99
BALLAST FACTOR	0.9	1.1	0.8	1.0	0.9	0.8	1.0	0.9
EFFICACY FACTOR	0.3	0.3	0.3	0.3	0.3	0.2	0.3	0.2
OPERATING FREQUENCY	54KHz							
THD	< 10%							
CURRENT CRESS FACTOR	< 1.7							
EMI/RFI COMPLIANCE	FCC PART 18-A							
SOUND RATING	" A "							
BALLAST TYPE	INSTANT START							
VOLTAGE TRANSIENTS	ANSI C82.11 - 1993 / C62.41							
INHERENT THERMAL PROT.	YES							
MIN. OPERATING TEMP	0 °C ( 32 ° F )							
MAX. CASE TEMP	75 °C ( 167 ° F )							
DIMMING RANGE	100% TO 70%							
APPROVALS/CLASS	UL /cUL LISTED, CLASS " P ", 1 OUTDOOR, Class 2 Dimming Control							



Fulham extends a limited warranty only to the original purchaser or to the first user for a period of 3 years from the date of manufacture when properly installed and operated under normal conditions of use. For complete terms and conditions, please reference the Fulham product catalog ([www.fulham.com](http://www.fulham.com))  
**Due to a program of continuous improvement, Fulham reserves the right to make modifications or variations in design or construction to the equipment described.**

## SPECIFICATION SHEET : SHGD1-MID-2-200-L

This Is An Original Product From Fulham Co., Inc

**Description : Sun Horse electronic ballast developed for use with UV & tanning lamp applications**

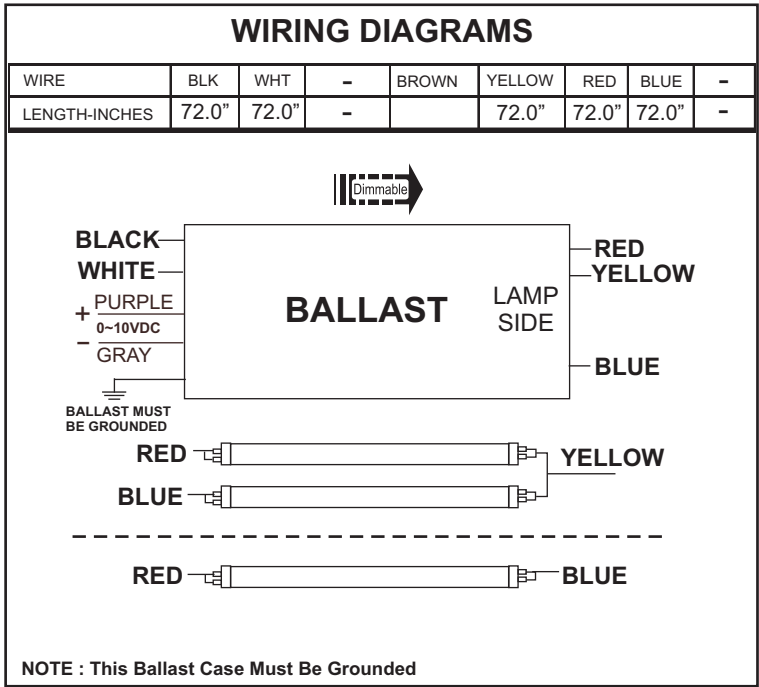
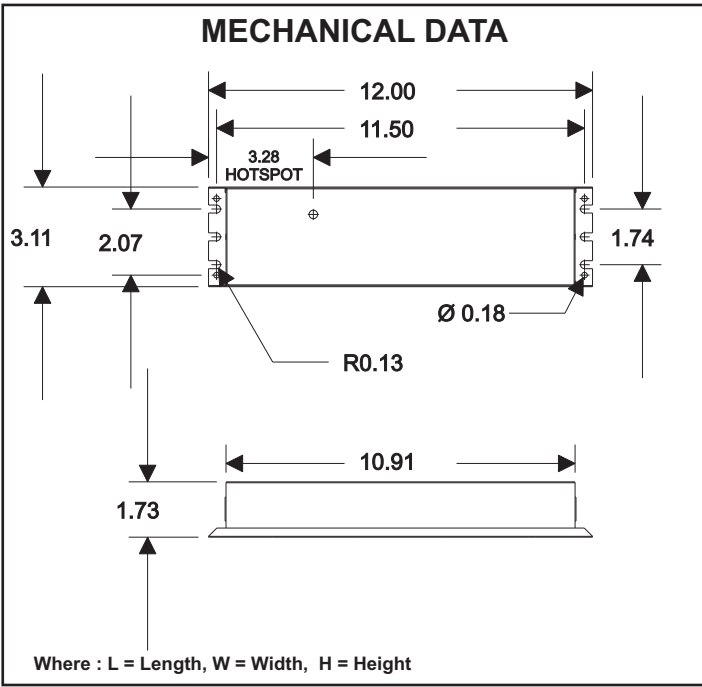
**This Ballast Will Operate Following Lamps.**



1 OR 2 X F59T12VHO, F60T12VHO,  
F71T12VHO, F72T12VHO, F73T12VHO,  
F74T12VHO, F79T12VHO

### ELECTRICAL DATA (220V APPLICATION)

INPUT VOLT: 220V ± 10%, 50/60Hz								
LAMP WATTS/TYPE	F59T12VHO	F60T12VHO	F71T12VHO	F72T12VHO	F73T12VHO	F74T12VHO	F79T12VHO	F79T12VHO
LAMP RATED POWER	140W	135W	160W	165W	160W	200W	180W	200W
LAMPS OPERATED	1							
INPUT WATTS	146	175	143	183	149	171	210	202
LINE CURRENT:	0.70	0.82	0.69	0.86	0.71	0.81	0.98	0.95
POWER FACTOR	0.95	0.96	0.95	0.97	0.95	0.96	0.97	0.97
BALLAST FACTOR	1.0	1.2	0.8	1.0	0.8	0.8	1.1	0.9
EFFICACY FACTOR	0.7	0.7	0.6	0.6	0.6	0.5	0.5	0.5
OPERATING FREQUENCY	54KHz							
THD	< 16%							
CURRENT CRESS FACTOR	< 1.7							
EMI/RFI COMPLIANCE	FCC PART 18-A							
SOUND RATING	" A "							
BALLAST TYPE	INSTANT START							
VOLTAGE TRANSIENTS	ANSI C82.11 - 1993 / C62.41							
INHERENT THERMAL PROT.	YES							
MIN. OPERATING TEMP	0 °C ( 32 ° F )							
MAX. CASE TEMP	75 °C ( 167 ° F )							
DIMMING RANGE	100% TO 70%							
APPROVALS/CLASS	UL /cUL LISTED, CLASS " P ", 1 OUTDOOR, Class 2 Dimming Control							



Fulham extends a limited warranty only to the original purchaser or to the first user for a period of 3 years from the date of manufacture when properly installed and operated under normal conditions of use. For complete terms and conditions, please reference the Fulham product catalog ([www.fulham.com](http://www.fulham.com))  
**Due to a program of continuous improvement, Fulham reserves the right to make modifications or variations in design or construction to the equipment described.**

## SPECIFICATION SHEET : SHGD1-MID-2-200-L

This Is An Original Product From Fulham Co., Inc

**Description : Sun Horse electronic ballast developed for use with UV & tanning lamp applications**

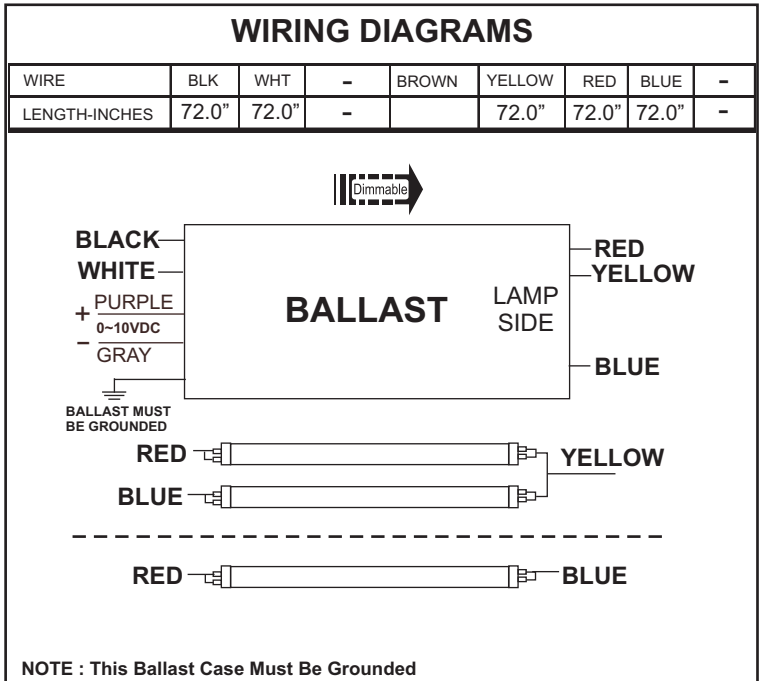
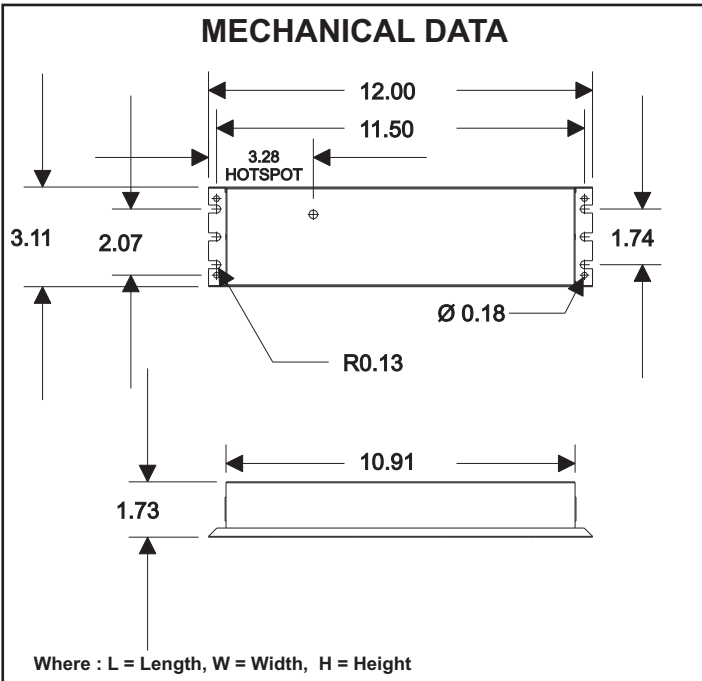
**This Ballast Will Operate Following Lamps.**



1 OR 2 X F59T12VHO, F60T12VHO,  
F71T12VHO, F72T12VHO, F73T12VHO,  
F74T12VHO, F79T12VHO

### ELECTRICAL DATA (220V APPLICATION)

INPUT VOLT: 220V ± 10%, 50/60Hz								
LAMP WATTS/TYPE	F59T12VHO	F60T12VHO	F71T12VHO	F72T12VHO	F73T12VHO	F74T12VHO	F79T12VHO	F79T12VHO
LAMP RATED POWER	140W	135W	160W	165W	160W	200W	180W	200W
LAMPS OPERATED	2							
INPUT WATTS	269	326	272	350	307	346	365	368
LINE CURRENT:	1.24	1.49	1.25	1.60	1.41	1.58	1.67	1.68
POWER FACTOR	0.98	0.99	0.98	0.99	0.99	0.99	0.99	0.99
BALLAST FACTOR	0.9	1.1	0.8	1.0	1.0	0.8	1.0	0.9
EFFICACY FACTOR	0.3	0.3	0.3	0.3	0.3	0.2	0.3	0.2
OPERATING FREQUENCY	54KHz							
THD	< 10%							
CURRENT CRESS FACTOR	< 1.7							
EMI/RFI COMPLIANCE	FCC PART 18-A							
SOUND RATING	" A "							
BALLAST TYPE	INSTANT START							
VOLTAGE TRANSIENTS	ANSI C82.11 - 1993 / C62.41							
INHERENT THERMAL PROT.	YES							
MIN. OPERATING TEMP	0 °C ( 32 ° F )							
MAX. CASE TEMP	75 °C ( 167 ° F )							
DIMMING RANGE	100% TO 70%							
APPROVALS/CLASS	UL /cUL LISTED, CLASS " P ", 1 OUTDOOR, Class 2 Dimming Control							



Fulham extends a limited warranty only to the original purchaser or to the first user for a period of 3 years from the date of manufacture when properly installed and operated under normal conditions of use. For complete terms and conditions, please reference the Fulham product catalog ([www.fulham.com](http://www.fulham.com))  
**Due to a program of continuous improvement, Fulham reserves the right to make modifications or variations in design or construction to the equipment described.**

## SPECIFICATION SHEET : SHGD1-MID-2-200-L

This Is An Original Product From Fulham Co., Inc

**Description : Sun Horse electronic ballast developed for use with UV & tanning lamp applications**

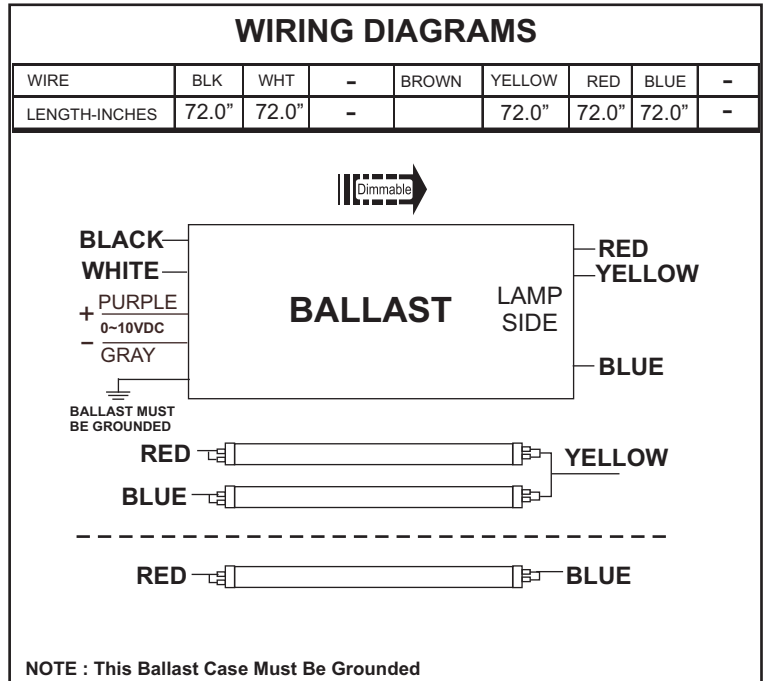
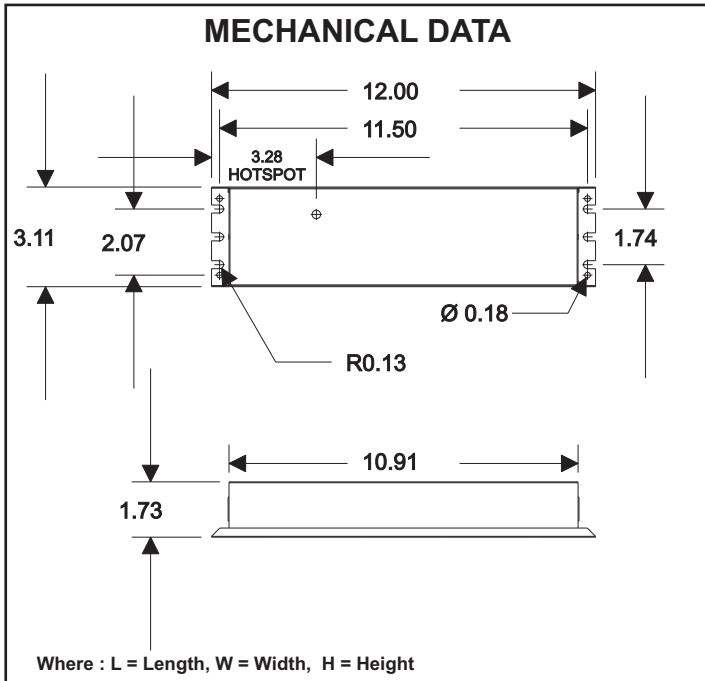
**This Ballast Will Operate Following Lamps.**



1 OR 2 X F59T12VHO, F60T12VHO,  
F71T12VHO, F72T12VHO, F73T12VHO,  
F74T12VHO, F79T12VHO

### ELECTRICAL DATA (230V APPLICATION)

INPUT VOLT: 230V ± 10%, 50/60Hz								
LAMP WATTS/TYPE	F59T12VHO	F60T12VHO	F71T12VHO	F72T12VHO	F73T12VHO	F74T12VHO	F79T12VHO	F79T12VHO
LAMP RATED POWER	140W	135W	160W	165W	160W	200W	180W	200W
LAMPS OPERATED	1							
INPUT WATTS	146	175	144	183	149	171	210	202
LINE CURRENT:	0.67	0.79	0.66	0.83	0.68	0.78	0.94	0.91
POWER FACTOR	0.94	0.96	0.94	0.96	0.94	0.95	0.97	0.97
BALLAST FACTOR	1.0	1.2	0.8	1.0	0.8	0.8	1.1	0.9
EFFICACY FACTOR	0.7	0.7	0.6	0.6	0.6	0.5	0.5	0.5
OPERATING FREQUENCY	54KHz							
THD	< 18%							
CURRENT CRESS FACTOR	< 1.7							
EMI/RFI COMPLIANCE	FCC PART 18-A							
SOUND RATING	" A "							
BALLAST TYPE	INSTANT START							
VOLTAGE TRANSIENTS	ANSI C82.11 - 1993 / C62.41							
INHERENT THERMAL PROT.	YES							
MIN. OPERATING TEMP	0 °C ( 32 ° F )							
MAX. CASE TEMP	75 °C ( 167 ° F )							
DIMMING RANGE	100% TO 70%							
APPROVALS/CLASS	UL /cUL LISTED, CLASS " P ", 1 OUTDOOR, Class 2 Dimming Control							



Fulham extends a limited warranty only to the original purchaser or to the first user for a period of 3 years from the date of manufacture when properly installed and operated under normal conditions of use. For complete terms and conditions, please reference the Fulham product catalog ([www.fulham.com](http://www.fulham.com))  
**Due to a program of continuous improvement, Fulham reserves the right to make modifications or variations in design or construction to the equipment described.**

## SPECIFICATION SHEET : SHGD1-MID-2-200-L

This Is An Original Product From Fulham Co., Inc

**Description : Sun Horse electronic ballast developed for use with UV & tanning lamp applications**

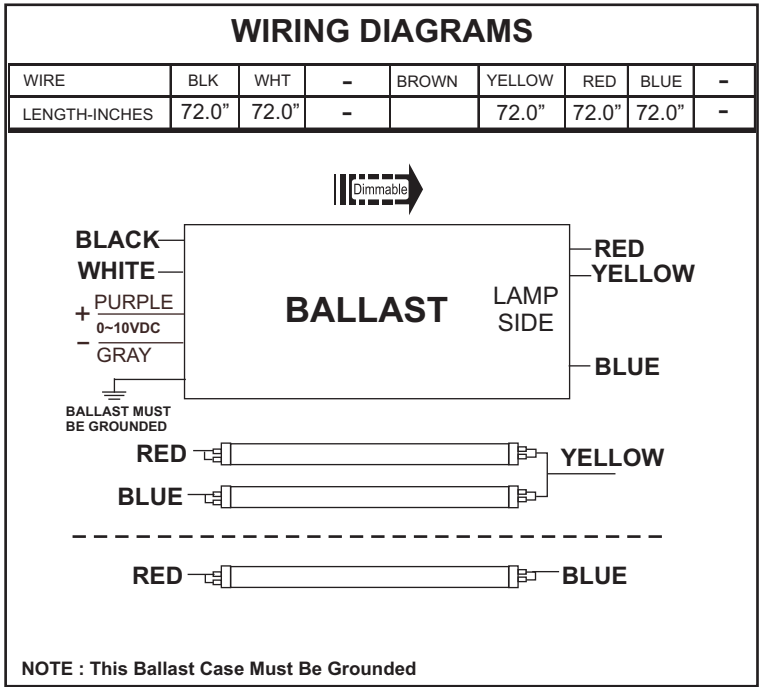
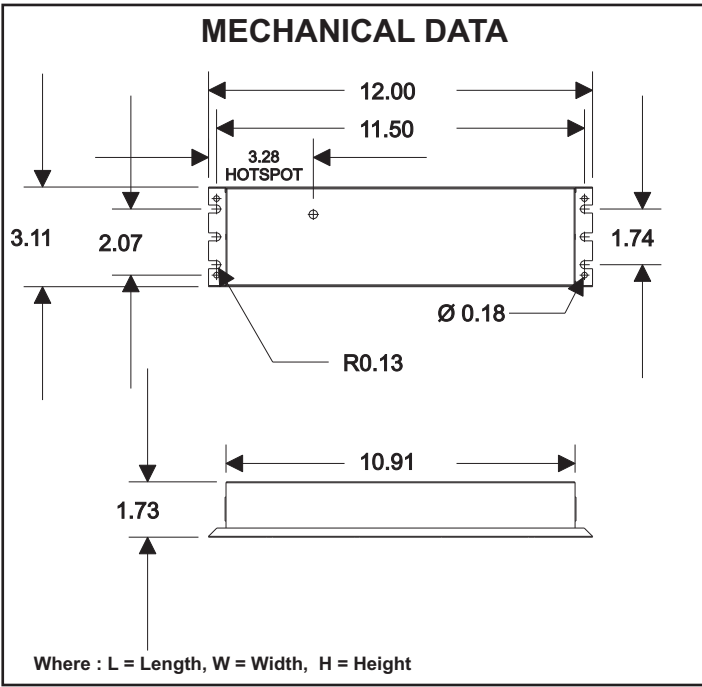
**This Ballast Will Operate Following Lamps.**



1 OR 2 X F59T12VHO, F60T12VHO,  
F71T12VHO, F72T12VHO, F73T12VHO,  
F74T12VHO, F79T12VHO

### ELECTRICAL DATA (230V APPLICATION)

INPUT VOLT: 230V ± 10%, 50/60Hz								
LAMP WATTS/TYPE	F59T12VHO	F60T12VHO	F71T12VHO	F72T12VHO	F73T12VHO	F74T12VHO	F79T12VHO	F79T12VHO
LAMP RATED POWER	140W	135W	160W	165W	160W	200W	180W	200W
LAMPS OPERATED	2							
INPUT WATTS	269	326	271	349	308	344	365	366
LINE CURRENT:	1.19	1.43	1.20	1.53	1.36	1.51	1.60	1.61
POWER FACTOR	0.98	0.99	0.98	0.99	0.99	0.99	0.99	0.99
BALLAST FACTOR	0.9	1.1	0.8	1.0	1.0	0.8	1.0	0.9
EFFICACY FACTOR	0.3	0.4	0.3	0.3	0.3	0.2	0.3	0.2
OPERATING FREQUENCY	54KHz							
THD	< 10%							
CURRENT CRESS FACTOR	< 1.7							
EMI/RFI COMPLIANCE	FCC PART 18-A							
SOUND RATING	" A "							
BALLAST TYPE	INSTANT START							
VOLTAGE TRANSIENTS	ANSI C82.11 - 1993 / C62.41							
INHERENT THERMAL PROT.	YES							
MIN. OPERATING TEMP	0 °C ( 32 ° F )							
MAX. CASE TEMP	75 °C ( 167 ° F )							
DIMMING RANGE	100% TO 70%							
APPROVALS/CLASS	UL /cUL LISTED, CLASS " P ", 1 OUTDOOR, Class 2 Dimming Control							



Fulham extends a limited warranty only to the original purchaser or to the first user for a period of 3 years from the date of manufacture when properly installed and operated under normal conditions of use. For complete terms and conditions, please reference the Fulham product catalog ([www.fulham.com](http://www.fulham.com)) Due to a program of continuous improvement, Fulham reserves the right to make modifications or variations in design or construction to the equipment described.

## SPECIFICATION SHEET : SHGD1-MID-2-200-L

This Is An Original Product From Fulham Co., Inc

**Description : Sun Horse electronic ballast developed for use with UV & tanning lamp applications**

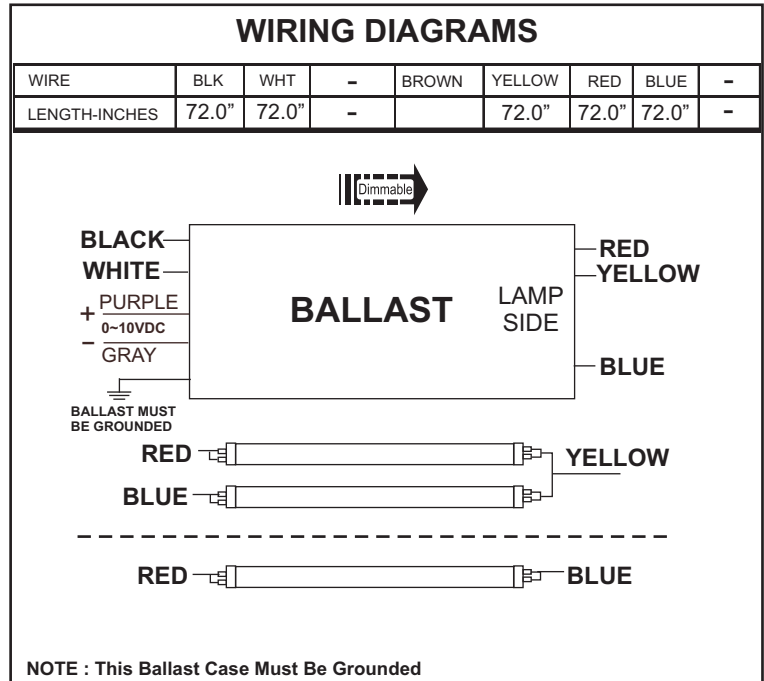
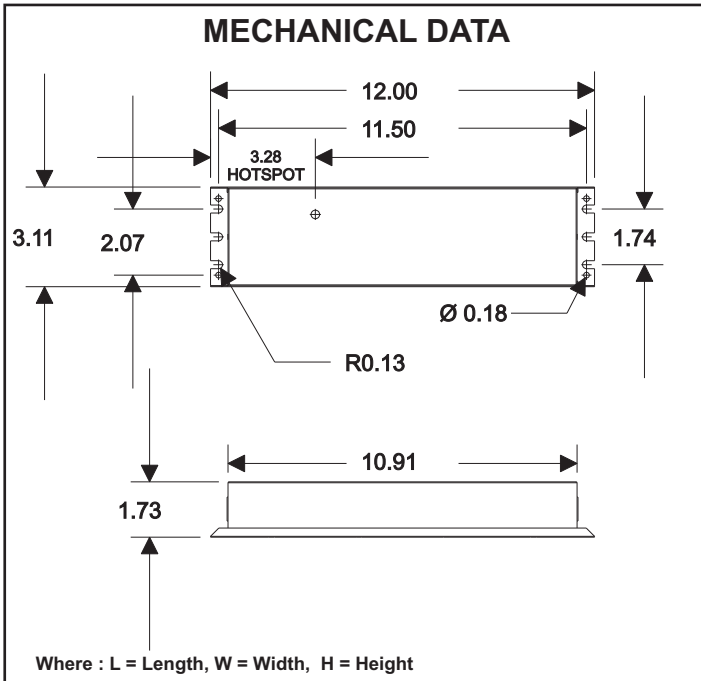
**This Ballast Will Operate Following Lamps.**



1 OR 2 X F59T12VHO, F60T12VHO,  
F71T12VHO, F72T12VHO, F73T12VHO,  
F74T12VHO, F79T12VHO

### ELECTRICAL DATA (240V APPLICATION)

INPUT VOLT: 240V ± 10%, 50/60Hz								
LAMP WATTS/TYPE	F59T12VHO	F60T12VHO	F71T12VHO	F72T12VHO	F73T12VHO	F74T12VHO	F79T12VHO	F79T12VHO
LAMP RATED POWER	140W	135W	160W	165W	160W	200W	180W	200W
LAMPS OPERATED	1							
INPUT WATTS	145	175	144	185	149	171	210	203
LINE CURRENT:	0.65	0.77	0.64	0.81	0.66	0.75	0.91	0.88
POWER FACTOR	0.93	0.95	0.93	0.95	0.93	0.95	0.96	0.96
BALLAST FACTOR	1.0	1.2	0.8	1.0	0.8	0.8	1.1	0.9
EFFICACY FACTOR	0.7	0.7	0.6	0.6	0.6	0.5	0.5	0.5
OPERATING FREQUENCY	54KHz							
THD	< 19%							
CURRENT CRESS FACTOR	< 1.7							
EMI/RFI COMPLIANCE	FCC PART 18-A							
SOUND RATING	" A "							
BALLAST TYPE	INSTANT START							
VOLTAGE TRANSIENTS	ANSI C82.11 - 1993 / C62.41							
INHERENT THERMAL PROT.	YES							
MIN. OPERATING TEMP	0 °C ( 32 ° F )							
MAX. CASE TEMP	75 °C ( 167 ° F )							
DIMMING RANGE	100% TO 70%							
APPROVALS/CLASS	UL /cUL LISTED, CLASS " P ", 1 OUTDOOR, Class 2 Dimming Control							



Fulham extends a limited warranty only to the original purchaser or to the first user for a period of 3 years from the date of manufacture when properly installed and operated under normal conditions of use. For complete terms and conditions, please reference the Fulham product catalog ([www.fulham.com](http://www.fulham.com))  
**Due to a program of continuous improvement, Fulham reserves the right to make modifications or variations in design or construction to the equipment described.**

## SPECIFICATION SHEET : SHGD1-MID-2-200-L

This Is An Original Product From Fulham Co., Inc

**Description : Sun Horse electronic ballast developed for use with UV & tanning lamp applications**

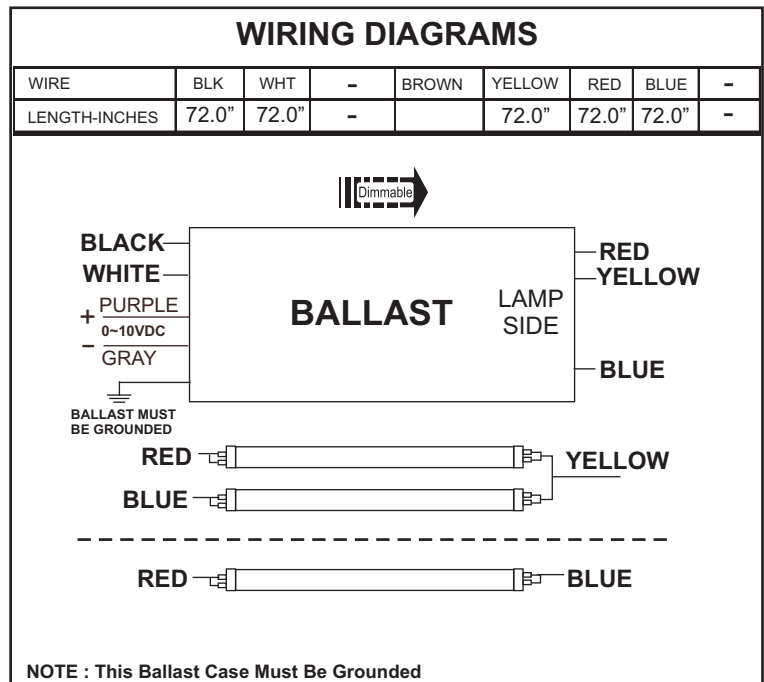
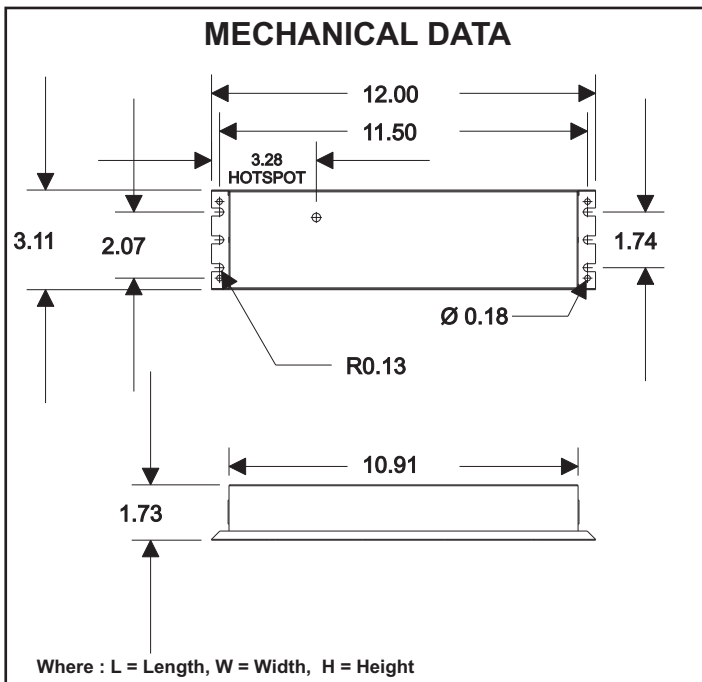
**This Ballast Will Operate Following Lamps.**



1 OR 2 X F59T12VHO, F60T12VHO,  
F71T12VHO, F72T12VHO, F73T12VHO,  
F74T12VHO, F79T12VHO

### ELECTRICAL DATA (240V APPLICATION)

INPUT VOLT: 240V ± 10%, 50/60Hz								
LAMP WATTS/TYPE	F59T12VHO	F60T12VHO	F71T12VHO	F72T12VHO	F73T12VHO	F74T12VHO	F79T12VHO	F79T12VHO
LAMP RATED POWER	140W	135W	160W	165W	160W	200W	180W	200W
LAMPS OPERATED	2							
INPUT WATTS	269	326	271	347	309	341	364	366
LINE CURRENT:	1.14	1.37	1.16	1.46	1.31	1.44	1.53	1.54
POWER FACTOR	0.98	0.98	0.98	0.99	0.98	0.99	0.99	0.99
BALLAST FACTOR	0.9	1.1	0.8	1.0	1.0	0.8	1.0	0.9
EFFICACY FACTOR	0.3	0.4	0.3	0.3	0.3	0.2	0.3	0.2
OPERATING FREQUENCY	54KHz							
THD	< 10%							
CURRENT CRESS FACTOR	< 1.7							
EMI/RFI COMPLIANCE	FCC PART 18-A							
SOUND RATING	" A "							
BALLAST TYPE	INSTANT START							
VOLTAGE TRANSIENTS	ANSI C82.11 - 1993 / C62.41							
INHERENT THERMAL PROT.	YES							
MIN. OPERATING TEMP	0 °C ( 32 ° F )							
MAX. CASE TEMP	75 °C ( 167 ° F )							
DIMMING RANGE	100% TO 70%							
APPROVALS/CLASS	UL /cUL LISTED, CLASS " P ", 1 OUTDOOR, Class 2 Dimming Control							



Fulham extends a limited warranty only to the original purchaser or to the first user for a period of 3 years from the date of manufacture when properly installed and operated under normal conditions of use. For complete terms and conditions, please reference the Fulham product catalog ([www.fulham.com](http://www.fulham.com)) Due to a program of continuous improvement, Fulham reserves the right to make modifications or variations in design or construction to the equipment described.



**SPECIFICATION SHEET : SHGD1-MID-2-200-L**

This Is An Original Product From Fulham Co., Inc

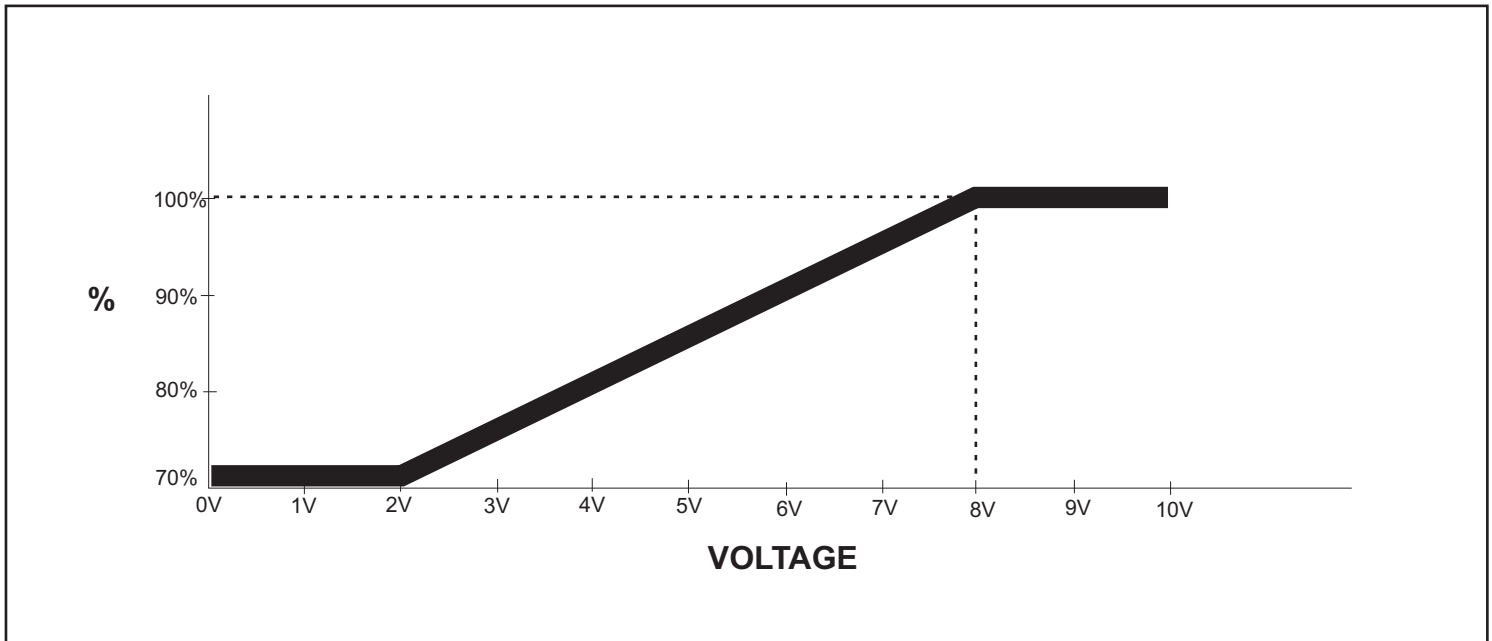
**Description : Sun Horse electronic ballast developed for use with UV & tanning lamp applications**

**This Ballast Will Operate Following Lamps.**

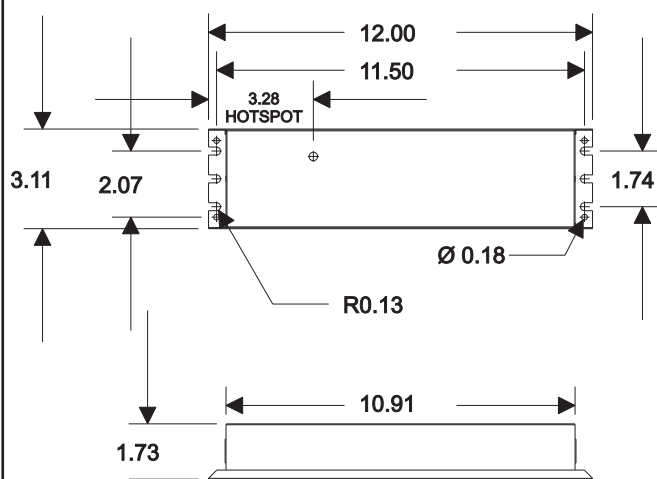


1 OR 2 X F59T12VHO, F60T12VHO,  
F71T12VHO, F72T12VHO, F73T12VHO,  
F74T12VHO, F79T12VHO

**TYPICAL DIMMING GRAPH**



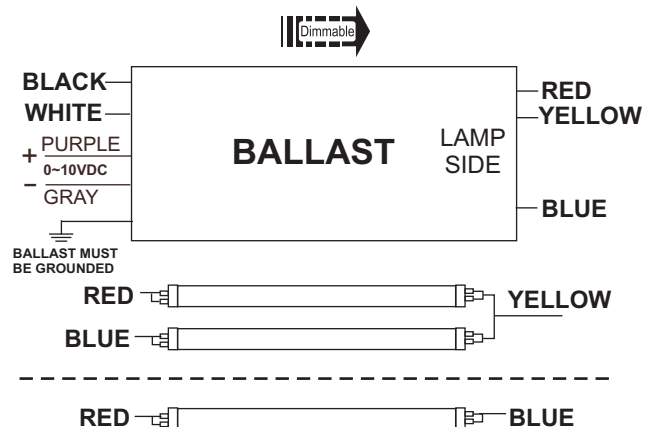
**MECHANICAL DATA**



Where : L = Length, W = Width, H = Height

**WIRING DIAGRAMS**

WIRE	BLK	WHT	-	BROWN	YELLOW	RED	BLUE	-
LENGTH-INCHES	72.0"	72.0"	-		72.0"	72.0"	72.0"	-



NOTE : This Ballast Case Must Be Grounded

Fulham extends a limited warranty only to the original purchaser or to the first user for a period of 3 years from the date of manufacture when properly installed and operated under normal conditions of use. For complete terms and conditions, please reference the Fulham product catalog ([www.fulham.com](http://www.fulham.com)) Due to a program of continuous improvement, Fulham reserves the right to make modifications or variations in design or construction to the equipment described.