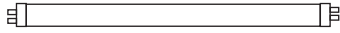


# SPECIFICATION SHEET : SC-120-113-LT5

This Is An Original Product From Fulham Co., Inc

**Description : PONY Series, High Frequency Electronic, Rapid Start Ballast,  
\* Meets Energy Star 4.0 Criteria For Applications Listed.**

**This Ballast Will Operate Following Lamps.**

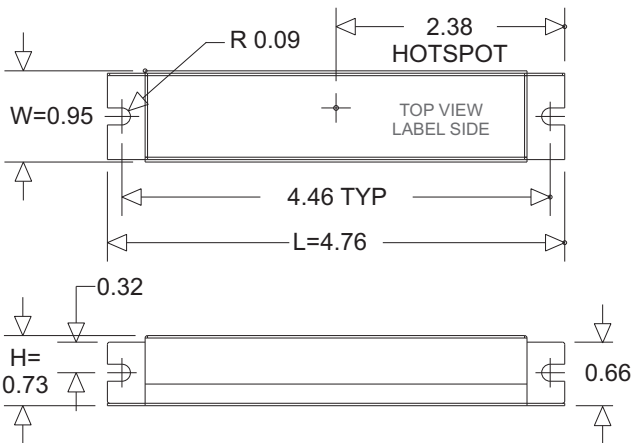


F13T5 / F14T5

## ELECTRICAL DATA

INPUT VOLT: 120V ± 10%, 50/60Hz									
LAMP WATTS/TYPE	F13T5	F14T5	-	-	-	-	-	-	-
LAMPS OPERATED	1								
INPUT WATTS	16.20W	18.06W							
LINE CURRENT:	0.250A	0.267A							
POWER FACTOR	0.541	0.559							
BALLAST FACTOR	1.138	1.181							
EFFICACY FACTOR	7.023	6.542							
THD	151.4%	143.5%							
CURRENT CREST FACTOR	1.575	1.517							
EMI/RFI COMPLIANCE	FCC PART 18-A (Consumer)								
SOUND RATING	" A "								
BALLAST TYPE	RAPID START								
VOLTAGE TRANSIENTS	ANSI 62.41								
INPUT/PROTECTION	FUUSE								
OUTPUT/PROTECTION	NONE								
MIN. OPERATING TEMP	-10°C (14°F)								
MAX. CASE TEMP	75 °C ( 167 ° F )								
ENERGY STAR 4.0	-----								
APPROVALS/CLASS	UL /cUL LISTED, CLASS " P ", 1 OUTDOOR								

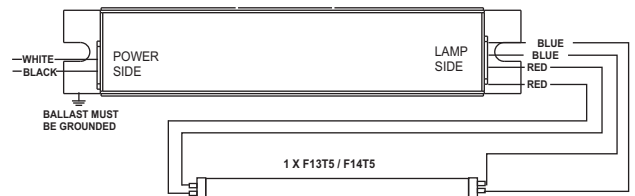
## MECHANICAL DATA



Where : L = Length, W = Width, H = Height

## WIRING DIAGRAMS

WIRE	BLACK	WHITE	RED	BLUE	YELLOW	BROWN
LENGTH - INCHES	12 ± 1"	12 ± 1"	17 ± 1"	17 ± 1"		



NOTE : This Ballast Case Must Be Grounded

Fulham Co., Inc extends limited warranty only to the original purchaser or to the first user for the period of 2 years from the date of manufacture as indicated by the date code stamped on each product and when properly installed and under normal conditions of use. For additional warranty guide line, please refer to our Complete Product Catalog OR call Customer Service at 1-323-599-5000.

DUE TO A PROGRAM OF CONTINUOUS IMPROVEMENT, FULHAM Co., INC RESERVES THE RIGHT TO MAKE ANY VARIATION IN DESIGN OR CONSTRUCTION TO THE EQUIPMENT DESCRIBED.

Address : 12705 South Van Ness Ave., Hawthorne, CA 90250 Tel.: 1-323-599-5000, Fax.: 1-323-754-9060. Website: [www.fulham.com](http://www.fulham.com)