

SPECIFICATION SHEET : RHA-UNV-228-LT5

This Is An Original Product From Fulham Co., Inc

Description : RACEHORSE Series, Universal Operating Voltage, Program Preheat Start Ballast, End Of Life Protection, Auto Restart,

This Ballast Will Operate Following Lamps.

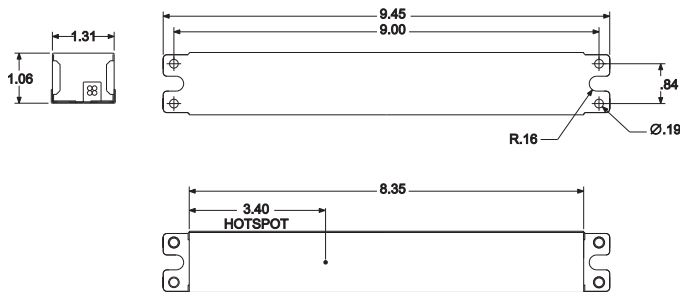


F14T5/HE, F21T5/HE, F28T5/HE

ELECTRICAL DATA (With 120 Volt Application)

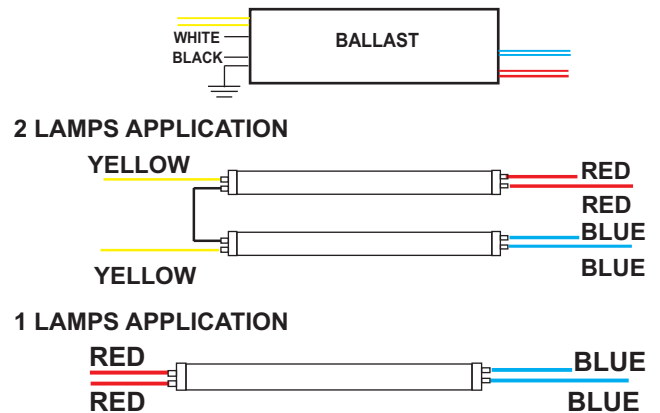
INPUT VOLT: 120V ± 10%, 50/60Hz							
LAMP WATTS/TYPE	F28T5/HE	F21T5/HE	F14T5/HE	F28T5/HE	F21T5/HE	F14T5/HE	
LAMPS OPERATED	1			2			
INPUT WATTS	34	24	17	67	46	30	
LINE CURRENT:	0.28	0.20	0.14	0.56	0.38	0.25	
POWER FACTOR	0.98 Type						
BALLAST FACTOR	1.07	0.97	1.00	1.05	0.94	0.92	
EFFICACY FACTOR	3.15	4.04	5.88	1.57	2.04	3.06	
THD	12.0%	12.0%	15.0%	10.0%	10.0%	12.0%	
CURRENT CREST FACTOR	< 1.7						
EMI/RFI COMPLIANCE	FCC PART 18-A						
SOUND RATING	" A "						
BALLAST TYPE	PROGRAMMED START						
VOLTAGE TRANSIENTS	ANSI 62.41						
OUTPUT/PROTECTION	EOL						
COMPLIANCE	RoHS						
MIN. OPERATING TEMP	-18 °C (0 ° F)						
MAX. CASE TEMP	90 °C (194 ° F) SEE FOOT NOTE WARRANTY						
APPROVALS/CLASS	UL /cUL LISTED, CLASS " P ", 1 OUTDOOR						
REMOTE MOUNTING	18 FT MAX.						

MECHANICAL DATA



WIRING DIAGRAMS

WIRE	BLACK	WHITE	RED	BLUE	YELLOW	BROWN
LENGTH - INCHES	24 ± 1"	24 ± 1"	28 ± 1"	28 ± 1"	41 ± 1"	



NOTE : This Ballast Must Be Grounded

Fulham extends a limited warranty only to the original purchaser or to the first user for a period of **3 years @90°C & 5 years @ 70°C** from the date of manufacture when properly installed and operated under normal conditions of use. For complete terms and conditions, please reference the Fulham product catalog (www.fulham.com)

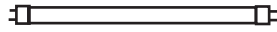
Due to a program of continuous improvement, Fulham reserves the right to make modifications or variations in design or construction to the equipment described.

SPECIFICATION SHEET : RHA-UNV-228-LT5

This Is An Original Product From Fulham Co., Inc

Description : RACEHORSE Series, Universal Operating Voltage, Program Preheat Start Ballast, End Of Life Protection, Auto Restart,

This Ballast Will Operate Following Lamps.

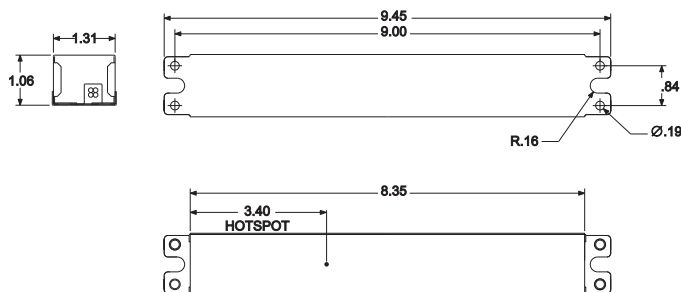


F14T5/HE, F21T5/HE, F28T5/HE

ELECTRICAL DATA (With 277 Volt Application)

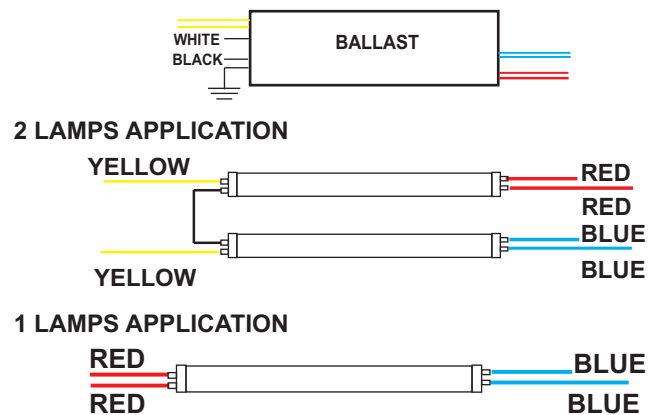
INPUT VOLT: 277V ± 10%, 50/60Hz							
LAMP WATTS/TYPE	F28T5/HE	F21T5/HE	F14T5/HE	F28T5/HE	F21T5/HE	F14T5/HE	
LAMPS OPERATED	1			2			
INPUT WATTS	34	24	17	67	46	31	
LINE CURRENT:	0.13	0.10	0.07	0.24	0.17	0.12	
POWER FACTOR	0.98 Type						
BALLAST FACTOR	1.07	1.02	1.00	1.05	0.94	0.94	
EFFICACY FACTOR	3.15	4.08	5.89	1.57	2.04	3.06	
THD	12.0%	12.0%	15.0%	10.0%	10.0%	12.0%	
CURRENT CREST FACTOR	< 1.7						
EMI/RFI COMPLIANCE	FCC PART 18-A						
SOUND RATING	" A "						
BALLAST TYPE	PROGRAMMED START						
VOLTAGE TRANSIENTS	ANSI 62.41						
OUTPUT/PROTECTION	EOL						
COMPLIANCE	RoHS						
MIN. OPERATING TEMP	-18 °C (0 ° F)						
MAX. CASE TEMP	90 °C (194 ° F) SEE FOOT NOTE WARRANTY						
APPROVALS/CLASS	UL /cUL LISTED, CLASS " P ", 1 OUTDOOR						
REMOTE MOUNTING	18 FT MAX.						

MECHANICAL DATA



WIRING DIAGRAMS

WIRE	BLACK	WHITE	RED	BLUE	YELLOW	BROWN
LENGTH - INCHES	24 ± 1"	24 ± 1"	28 ± 1"	28 ± 1"	41 ± 1"	



NOTE : This Ballast Must Be Grounded

Fulham extends a limited warranty only to the original purchaser or to the first user for a period of **3 years @90°C & 5 years @ 70°C** from the date of manufacture when properly installed and operated under normal conditions of use. For complete terms and conditions, please reference the Fulham product catalog (www.fulham.com)

Due to a program of continuous improvement, Fulham reserves the right to make modifications or variations in design or construction to the equipment described.