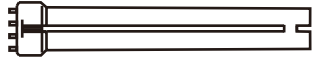


## SPECIFICATION SHEET : NPY-120-232-CFL

This Is An Original Product From Fulham Co., Inc

**Description : PONY Series, High Frequency Electronic, Rapid Start Ballast,  
\* Meets Energy Star 4.0 Criteria For Applications Listed.**

**This Ballast Will Operate Following Lamps.**



TWIN(CFTE)  
27/36W

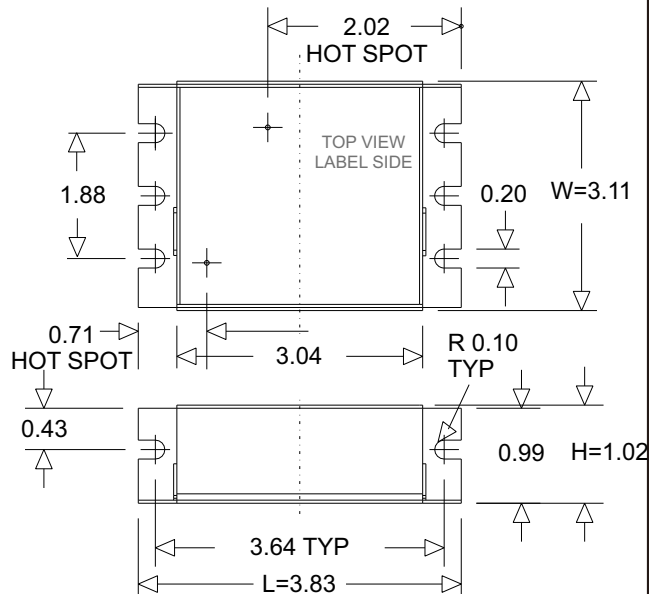


TRIPLE(CFTR/E)  
32W

### ELECTRICAL DATA

INPUT VOLT: 120V ± 10%, 50/60Hz									
LAMP WATTS/TYPE	*36/39CFT/E	32CFTR/E	32CRT9	-	-	-	-	-	-
LAMPS OPERATED	2	2	2						
INPUT WATTS	69.61	64.03	62.33						
LINE CURRENT:	0.986	0.884	0.897						
POWER FACTOR	0.580	0.604	0.379						
BALLAST FACTOR	0.955	0.853	1.033						
EFFICACY FACTOR	1.372	1.333	1.657						
THD	134.87	125.97	135.87						
CURRENT CREST FACTOR	< 1.7								
EMI/RFI COMPLIANCE	FCC PART 18-B (Consumer)								
SOUND RATING	" A "								
BALLAST TYPE	RAPID START								
VOLTAGE TRANSIENTS	ANSI 62.41								
INPUT/PROTECTION	FUZE								
OUTPUT/PROTECTION	EOL								
MIN. OPERATING TEMP	0 °C ( 32 °F )								
MAX. CASE TEMP	75 °C ( 167 °F )								
ENERGY STAR 4.0	YES								
APPROVALS/CLASS	UL LISTED, CLASS " P ", 1 OUTDOOR								

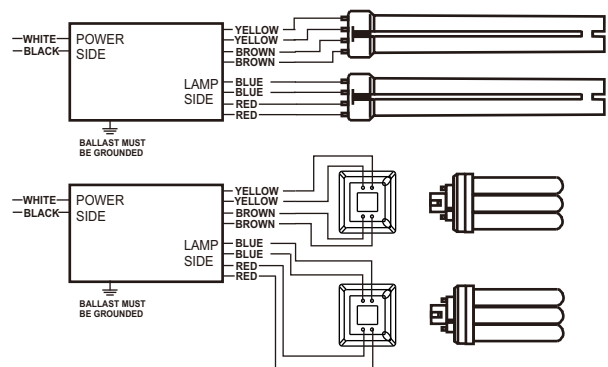
### MECHANICAL DATA



Where : L = Length, W = Width, H = Height

### WIRING DIAGRAMS

WIRE	BLACK	WHITE	RED	BLUE	YELLOW	BROWN
LENGTH - INCHES	12 ± 1"	12 ± 1"	12 ± 1"	12 ± 1"	12 ± 1"	12 ± 1"



**NOTE : This Ballast Case Must Be Grounded**

Fulham extends a limited warranty only to the original purchaser or to the first user for a period of 2 years from the date of manufacture when properly installed and operated under normal conditions of use. For complete terms and conditions, please reference the Fulham product catalog ([www.fulham.com](http://www.fulham.com))  
**Due to a program of continuous improvement, Fulham reserves the right to make modifications or variations in design or construction to the equipment described.**