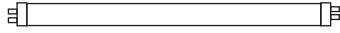


SPECIFICATION SHEET : HPY-230-418-XT8-OJC

This Is An Original Product From Fulham Co., Inc

Description: General Series Versatile, Solid State Electronic Ballast. Small Case Size, High Power Factor, Light Weight, Available In 220-240V 50/60Hz.

This Ballast Will Operate Following Lamps.

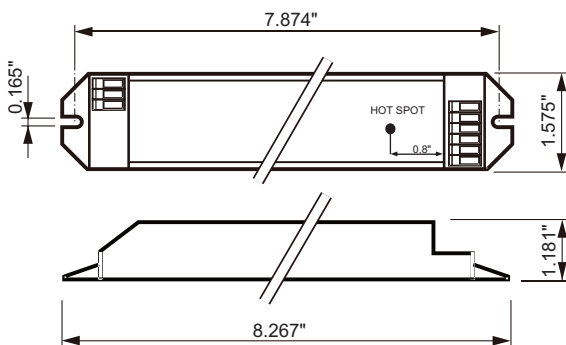


F18T8, F20T12

ELECTRICAL DATA

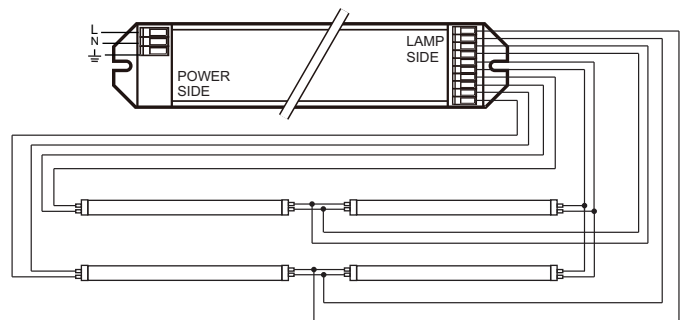
INPUT VOLT:	220~240V ± 10%, 50/60Hz
LAMP WATTS/TYPE	F18T8 or F20T12
LAMPS OPERATED	4
INPUT WATTS:(W)	75
LINE CURRENT:(A)	0.32
POWER FACTOR	> 0.95
BALLAST FACTOR	> 0.95
THD	< 25%
EMI/RFI COMPLIANCE	EN 55015
SOUND RATING	A
BALLAST TYPE	RAPID START
VOLTAGE TRANSIENTS	-
INPUT/PROTECTION	FUSE
OUTPUT/PROTECTION	YES
MIN. OPERATING TEMP	-10 °C (14 F)
MAX. CASE TEMP	65°C (149 F)
LAMP CURRENT CREST FACTOR	< 1.7
APPROVALS/CLASS	3C

MECHANICAL DATA



Where : L = Length, W = Width, H = Height

WIRING DIAGRAMS



NOTE : This Ballast Case Must Be Grounded

Fulham extends a limited warranty only to the original purchaser or to the first user for a period of 3 years from the date of manufacture when properly installed and operated under normal conditions of use. For complete terms and conditions, please reference the Fulham Product Catalog (www.fulham.com).

Due to a program of continuous improvement, Fulham reserves the right to make modifications or variations in design or construction to the equipment described.