

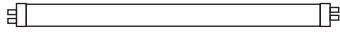


## SPECIFICATION SHEET : HPY-230-236-XT8-OEC

**This Is An Original Product From Fulham Co., Inc**

**Description:** General Series Versatile, Solid State Electronic Ballast. Small Case Size, High Power Factor, Light Weight, Available In 220-240V 50/60Hz.

### This Ballast Will Operate Following Lamps.

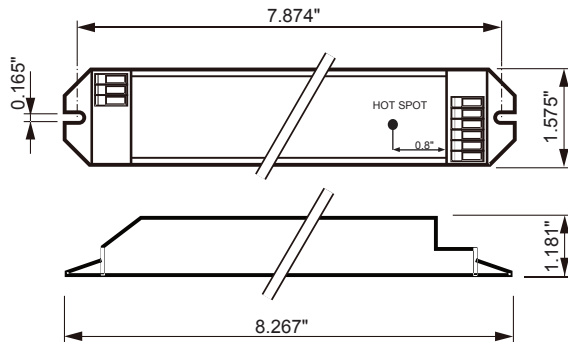


**F36T8, F40T12**

### ELECTRICAL DATA

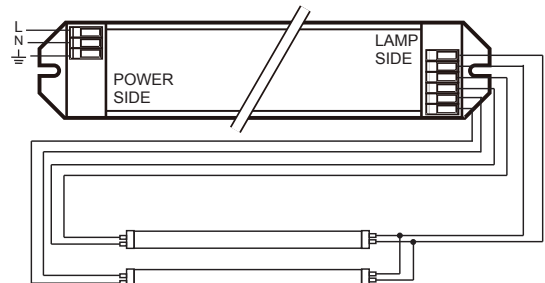
INPUT VOLT:	220~240V ± 10%, 50/60Hz
LAMP WATTS/TYPE	F36T8 or F40T12
LAMPS OPERATED	2
INPUT WATTS:(W)	75
LINE CURRENT:(A)	0.32
POWER FACTOR	> 0.95
BALLAST FACTOR	> 0.95
THD	< 25%
EMI/RFI COMPLIANCE	EN 55015
SOUND RATING	A
BALLAST TYPE	RAPID START
VOLTAGE TRANSIENTS	-
INPUT/PROTECTION	FUSE
OUTPUT/PROTECTION	YES
MIN. OPERATING TEMP	-10 ; $\phi$ 14 F )
MAX. CASE TEMP	65 ; $\phi$ 149 F )
LAMP CURRENT CREST FACTOR	< 1.7
APPROVALS/CLASS	CE

### MECHANICAL DATA



Where : L = Length, W = Width, H = Height

### WIRING DIAGRAMS



**NOTE : This Ballast Case Must Be Grounded**

Fulham extends a limited warranty only to the original purchaser or to the first user for a period of 3 years from the date of manufacture when properly installed and operated under normal conditions of use. For complete terms and conditions, please reference the Fulham Product Catalog ([www.fulham.com](http://www.fulham.com)).

Due to a program of continuous improvement, Fulham reserves the right to make modifications or variations in design or construction to the equipment described.