



**Discontinued**

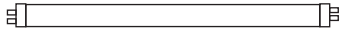
Contact Fulham for availability. Not for use in new designs.

## SPECIFICATION SHEET : HPY-230-218-XT8-OJC

**This Is An Original Product From Fulham Co., Inc**

**Description:** General Series Versatile, Solid State Electronic Ballast. Small Case Size, High Power Factor, Light Weight, Available In 220-240V 50/60Hz.

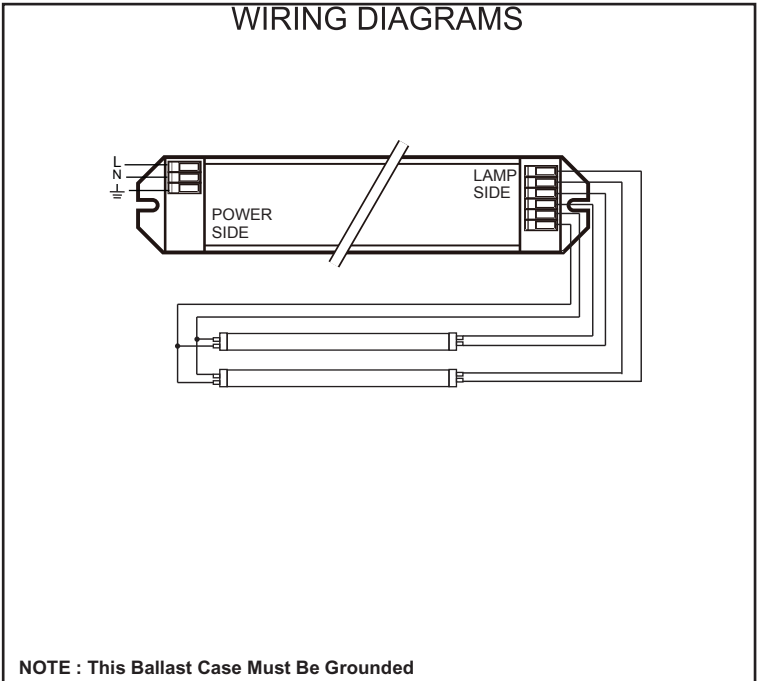
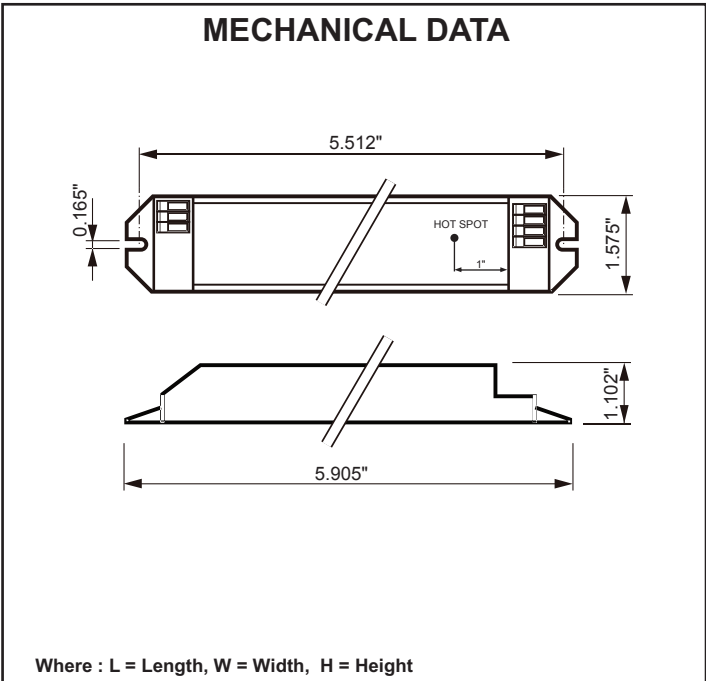
**This Ballast Will Operate Following Lamps.**



**F18T8, F20T12**

### ELECTRICAL DATA

INPUT VOLT:	220~240V ± 10%, 50/60Hz
LAMP WATTS/TYPE	F18T8 or F20T12
LAMPS OPERATED	2
INPUT WATTS:(W)	38
LINE CURRENT:(A)	0.16
POWER FACTOR	> 0.95
BALLAST FACTOR	> 0.95
THD	< 25%
EMI/RFI COMPLIANCE	EN 55015
SOUND RATING	A
BALLAST TYPE	RAPID START
VOLTAGE TRANSIENTS	-
INPUT/PROTECTION	FUSE
OUTPUT/PROTECTION	YES
MIN. OPERATING TEMP	-10° ( 14 F )
MAX. CASE TEMP	65° ( 149 F )
LAMP CURRENT CREST FACTOR	< 1.7
APPROVALS/CLASS	3C



Fulham extends a limited warranty only to the original purchaser or to the first user for a period of 3 years from the date of manufacture when properly installed and operated under normal conditions of use. For complete terms and conditions, please reference the Fulham Product Catalog ([www.fulham.com](http://www.fulham.com)).

Due to a program of continuous improvement, Fulham reserves the right to make modifications or variations in design or construction to the equipment described. 2012-1009 rev A