



**IP65** RoHS COMPLIANT

# HHCC-1M2UNV1200-240D-AFC HHCC-1M2UNV1200-240D-AFC-W

## Constant Current Non-Isolated UFO High-Bay Driver; Power & CCT Selectable

- Input Voltage: 120V - 277VAC 50/60Hz
- Output Current: 850~1200mA factory set
- Output Voltage: 180 - 260VDC
- 12VDC/200mA AUX output
- Available in black or white housing
- Output Power: 240W Max.
- 3-level Power Selectable; 3-level CCT Selectable
- 0-10V Dimmable; 100-10%, OFF
- IP65, Wet Locations

### General Specifications

Input Voltage / Frequency	120V - 277VAC ± 10%, 50/60Hz
Input Current	2.3A Max. @120VAC
Input Power	266W
Power Factor	> 0.9 under 120~277VAC input with 70~100% load condition
THD	< 20% under 120~277VAC input with 70~100% load condition
Efficiency	Typ. 95% @277VAC full load
Inrush Current	<110A @277V full load cold start
Leakage Current	Maximum 0.75mA at 277Vac, 60Hz input
Open Circuit Voltage	310VDC
Driver Type	Constant Current
Output Voltage Range	180 -260Vdc
Output Current Range	850 - 1200mA ±5% factory set; Default 900mA
Output Power	240W Max.
Power Selectable	3 levels: 100%, 80%, 60%
CCT Selectable	3 levels: CW, MW, WW
AUX Output	12VDC / 200mA Max.
Load Regulation	±5%
Line Regulation	±2%
Turn-on Delay Time	< 0.75s at 120VAC
Overshoot	< 10% at full load condition
No Load Power Consumption	< 5W
Ripple & Noise (pk-pk)	Typ. 5%; Max. 10%
Percent Flicker	Typ. 5%
Withstand Voltage	I/P-PE: 1.5KVac; O/P-PE: 1.5KVac; I/P-DIM: 1.5KVac; DIM-PE: 0.5KVac
Dimming Type	0-10V, isolated, Class2
Dimming Range	100%-10%, OFF
Operating Ambient Temperature Range	-40 ~ 50°C (-40 ~ 122°F)
Storage Temperature	-40 ~ 90°C (-40 ~ 194°F)
Maximum Driver Case Temperature (Tc)	90°C (194°F)
Humidity	5% to 95%
Driver Output Type / Number of Output Channels	Non-Class 2; 1 Channel
Overall Size	5.04" D x 2.42" H (128mm D x 61.5mm H), Mounting 4.45" (113mm)
Weight	1.874lbs (0.85Kg)
Case Construction	Metal
Input / Output Cord	Input: 3x18AWG 17.7"; Output: 3x18AWG 10"; Dimming&AUX: 3x22AWG 10"
Safety / Compliance	UL8750, Type HL Surge Protection: 6KV / 6KV; Ring Wave 2.5KV
IP Rating	IP65 & UL Wet Location
EMC	FCC Part15 ClassB, EN55015
Protections	Under Voltage Protection Short Circuit Protection Over Temperature Protection, Current drop when Tc>90°C
Service Life	50,000 hours@100% load and 80°C Case temp
Warranty	5 years@Max. Tc 80°C from the date of manufacture



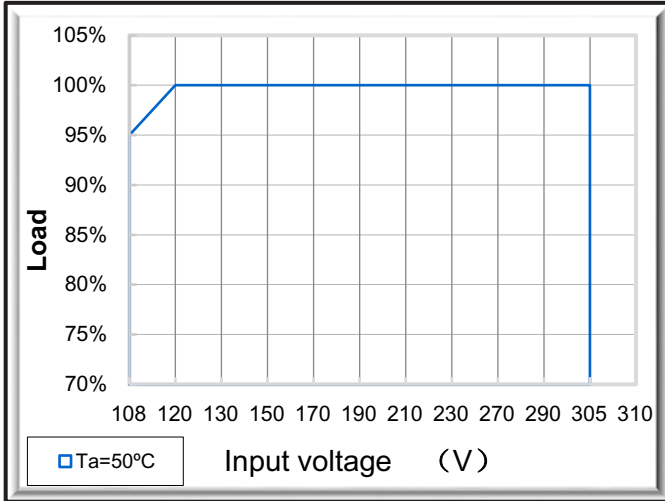
# HHCC-1M2UNV1200-240D-AFC

## HHCC-1M2UNV1200-240D-AFC-W

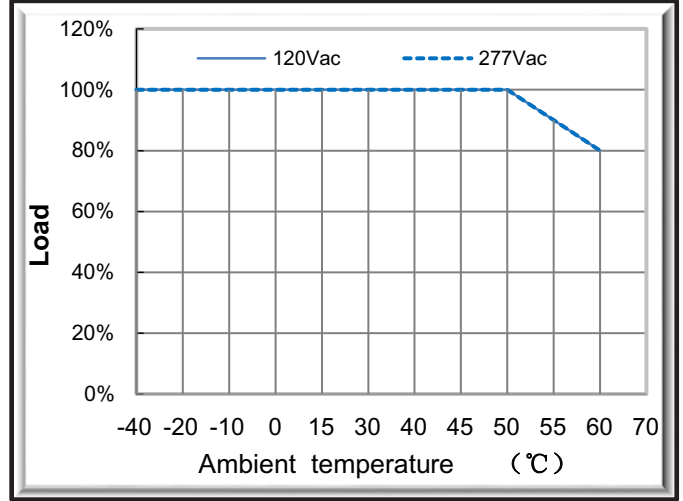
IP65 RoHS COMPLIANT

Charts

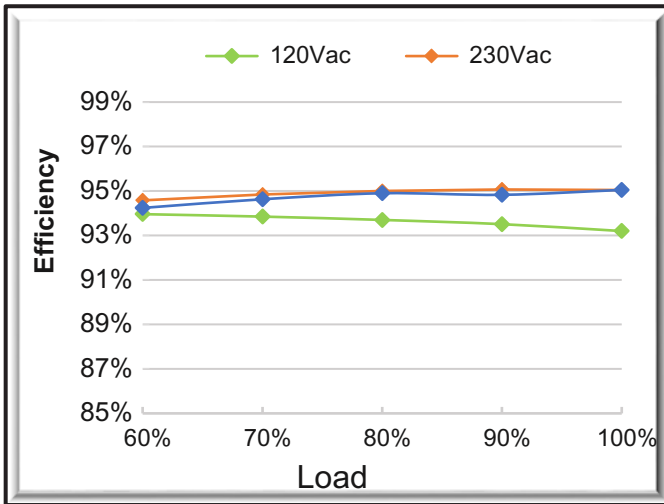
Derating curve



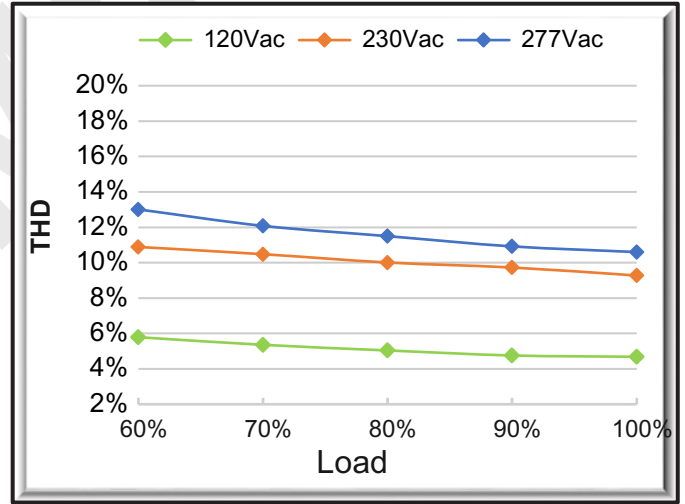
Ta Vs. Load



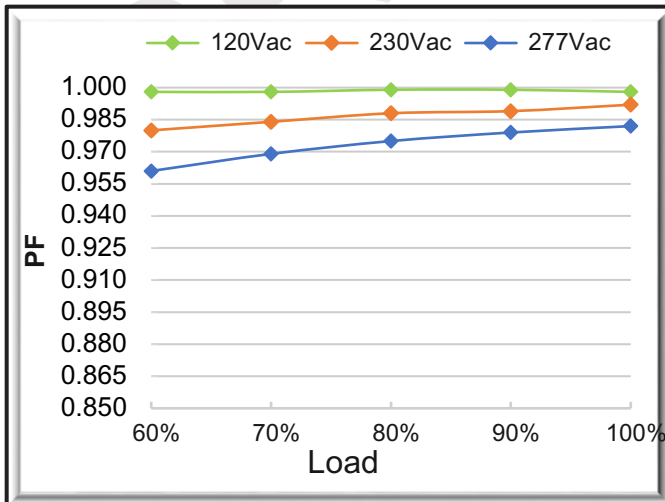
Efficiency vs. Load Curve



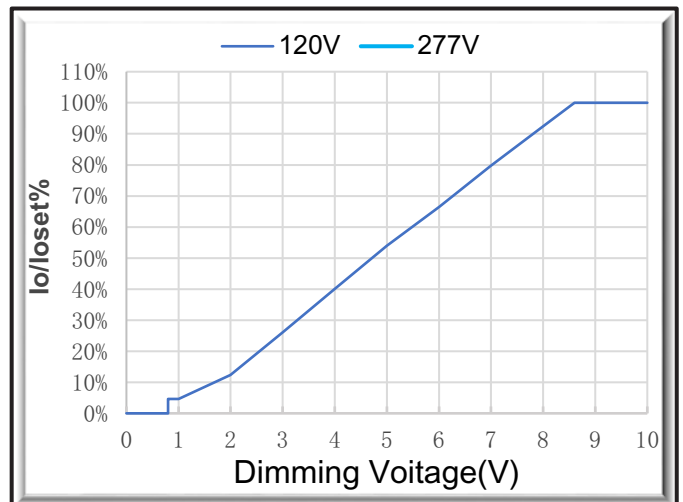
THD vs. Load Curve



PF Vs. Pout



Io/Isset vs. Dimming Voltage



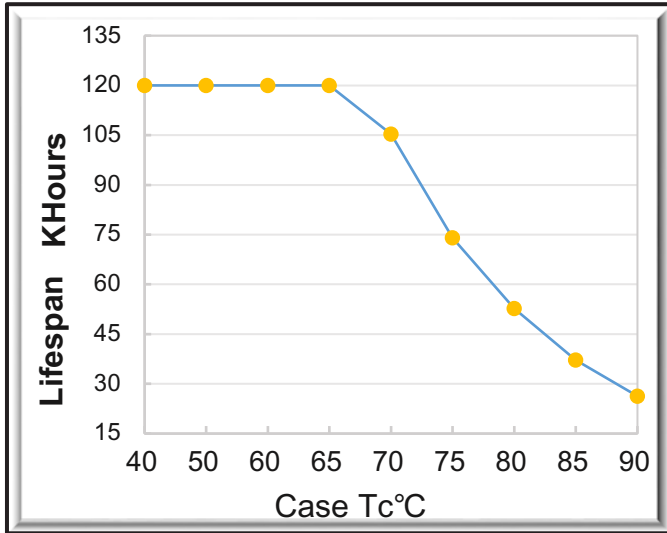


HHCC-1M2UNV1200-240D-AFC  
 HHCC-1M2UNV1200-240D-AFC-W

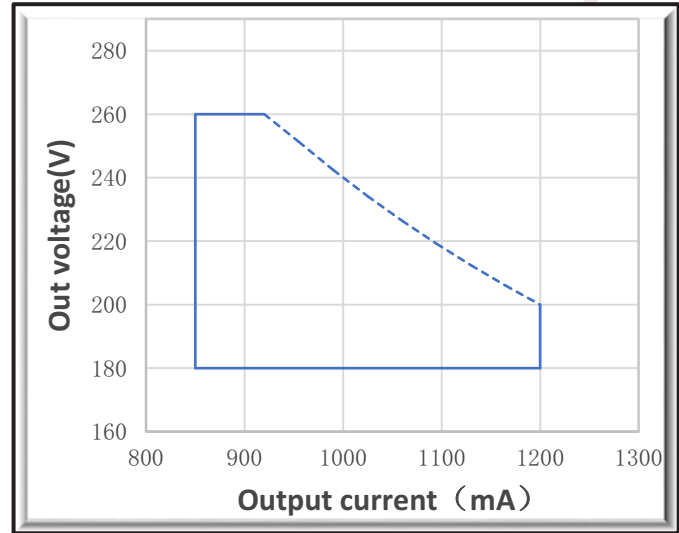
IP65 RoHS COMPLIANT

Charts

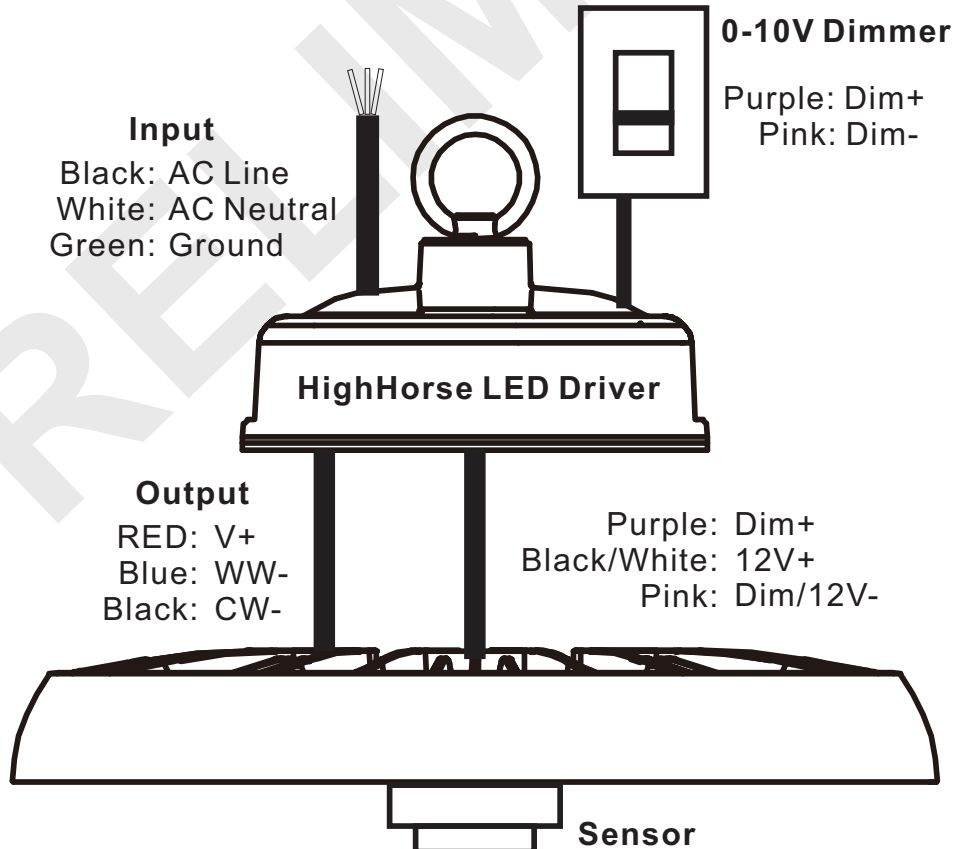
Life-time VS Case Tc °C



Output voltage vs. output current



Wiring Diagram

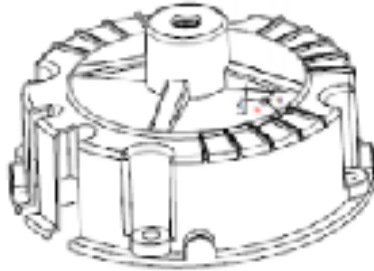


# HHCC-1M2UNV1200-240D-AFC HHCC-1M2UNV1200-240D-AFC-W

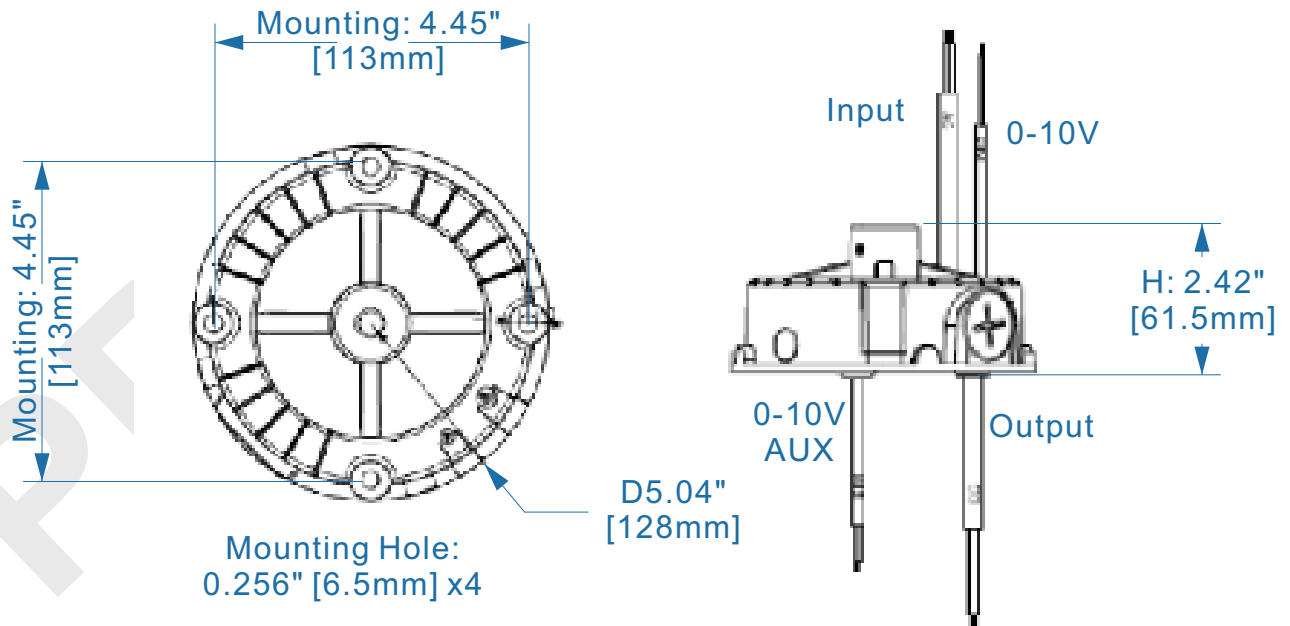


**IP65** **RoHS COMPLIANT**

## Mechanical Drawings



Overall Dimensions	
Diameter	5.04" [128mm]
Height	2.42" [61.5mm]
Mounting	4.45" [113mm]
Wire Length	
Input	17.7" 3x18AWG AC Line: BLK AC Neutral: WHT Ground: GRN
Input Dimming	17.7" 2x22AWG 0-10V+: PUR 0-10V -: PNK
Output	10" 3x18AWG LED+: RED WW -: BLE CW -: BLK
Dimming & AUX	10" 3x22AWG DIM+: PUR DIM- & AUX -: PNK AUX+: BLK/WHT



### NOTES :

- 1) This driver must be installed by a licensed electrician
- 2) This driver must be grounded



# HHCC-1M2UNV1200-240D-AFC

# HHCC-1M2UNV1200-240D-AFC-W

---

## Guidelines

### Grounding

- Driver must be grounded by means of the Driver case.

---

### Over temperature protection

- The Fulham Workhorse LED drivers is protected against thermal overload. If the temperature limit is exceeded, the output current is reduced.

---

### LED load

- Fulham WorkHorse LED drivers are designed to drive passive LEDs, -COB's and -LED assemblies .Proper function is not guaranteed when (LED)loads with active components are used.

---

### Short-circuit protection

- In case of a short circuit the LED driver switches to protection mode. After the removal of the short-circuit the LED driver will recover automatically.

---

### No-load Operation

- In no-load operation the output voltage will not exceed the specified open circuit output voltage.

---

### Hot Swapping

- This driver does not support hot swapping of the LEDs.

---

### Service life/Lifetime

- Failure Rate Info based upon MTBF modeling: 90% survivals at end of life @  $\leq T_c$  lifetime rating.

---

### Warranty

- Reference Fulham's limited Warranty: <https://cdn.fulham.com/PDFs/Limited-Warranty.pdf>



# HHCC-1M2UNV1200-240D-AFC HHCC-1M2UNV1200-240D-AFC-W

**IP65** **RoHS COMPLIANT**

## Part Number Matrix

# HHCC-1 M 2 UNV 1200-240 D-AFC-W

LED Driver	Output Type	# of Control Dimming	# of Output	Input Voltage	Output Current	Max. Output Power	Case Type	Features	Color
HH = HighHorse	CC = Constant Current	1 = 1 Control	M = 0-10V 2 = 2 Channels	UNV = 120V-277V	1200 = 1200mA Max. Current Range: 850-1200mA	240 = 240W	D = Cylinder	A = 12V AUX Output F = Flicker Free C = Color Selectable	Blank = Black W = White

Default factory set output current: 900mA.  
All other output current options are made-to-order(MTO) with MOQ and leadtime.

## Product Image



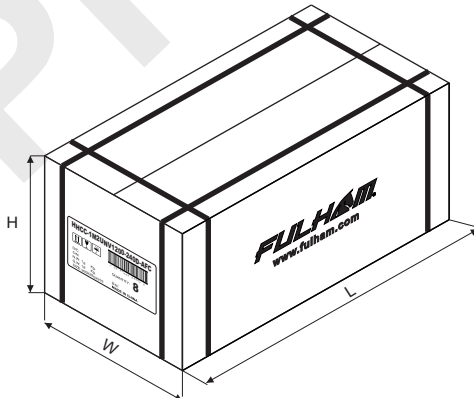
HHCC-1M2UNV1200-240D-AFC  
(Black)



HHCC-1M2UNV1200-240D-AFC-W  
(White)

## Packaging

### Master Carton



OUTER DIMENSION		
L	W	H
21.06"(535mm)	15.08"(383mm)	6.89"(175mm)
Net Weight	Gross Weight	QUANTITY
15.0lbs. (6.8 kg)	18.08lbs. (8.2 kg)	8pcs.