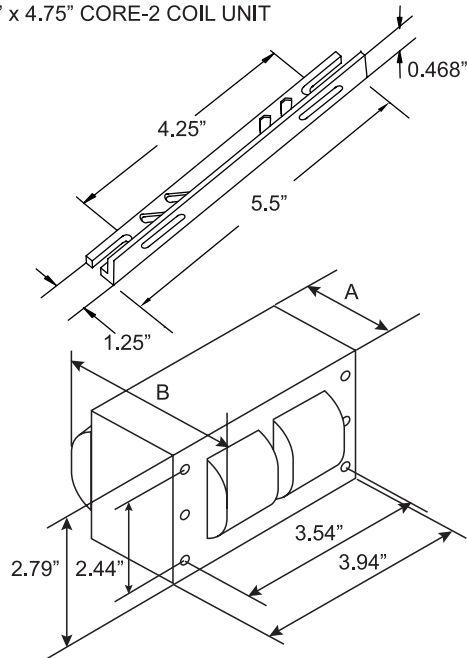


Mechanical Data:

4.25" x 4.75" CORE-2 COIL UNIT

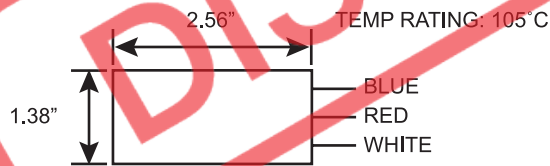


DIMENSION A	2.48 IN
DIMENSION B	3.78 IN
TOTAL WEIGHT	7.72 LBS
LEAD LENGTHS	12 IN
HARDWARE KIT: HH-MH-HDW3	CLAMP: HH-MH-IGCLMP
2 3" Thru-Bolts 4 Flat Washers	
2 Lock Washers 2 Nuts	

Electrical Data:

INPUT VOLTS	120	208	240	277
MINIMUM STARTING TEMPERATURE	-20°F or -30°C			
POWER FACTOR	90%			
ANSI CODE	150 WATT LAMP, M-102			
CIRCUIT TYPE	HX-HPF			
WATTS INPUT	121			
MAX INPUT CURRENT	3.65	2.10	1.80	1.58
NOM. OPEN CURRENT VOLTAGE	245			
RECOMMENDED FUSE (Amps)	10	6	5	3
REGULATION				
LINE VOLTS	±10%			
LAMPS WATTS	±10%			
INPUT WATTS AT LAMP DROPOUT	76	141	161	179
LINE CURRENT (AMPS)				
OPERATING	3.65	2.10	1.80	1.58
OPEN CIRCUIT	0.38	0.22	0.19	0.17
STARTING	1.75	1.04	0.90	0.74
UL TEMPERATURE RATINGS				
INSULATION CLASS	H(180)			
COIL TEMPERATURE CODE	1029			
CAPACITOR REQUIREMENT				
MFD	16uF			
MIN VOLT	280			
IGNITOR				
PART NUMBER	HHMH-IG70-150			
MAX DIST TO LAMP	2 FT			
60Hz TEST PROCEDURES				
HIGH POTENTIAL TEST (VOLTS)	1 MIN: 2000, 2 SEC: 2500			
OPEN CIRCUIT VOLTAGE TEST (VOLTS)	235-255			
SHORT CIRCUIT CURRENT TEST (AMPS)	2.30-2.70			
SECONDARY CURRENT				
INPUT CURRENT	5.52	3.18	2.79	2.45

Ignitor:



Capacitor:

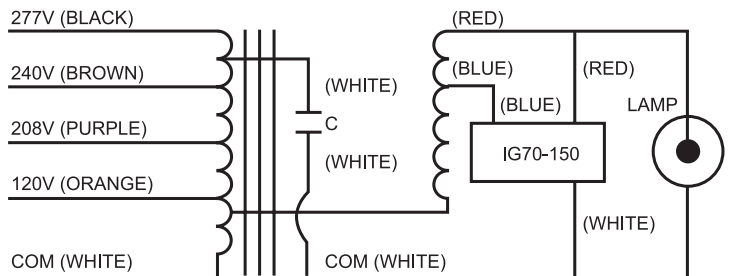
Wet Capacitor: HHMH-WCAP-150



Dry Capacitor: HHMH-DCAP-150



Wiring Diagram:



Options:

Basic Ballast Kit includes Ballast, Ignitor and Mounting Hardware only. For capacitor option, add Base Model No. and one Capacitor code:
D = Dry Kit: Ballast + Ignitor + Dry Capacitor + Mounting Hardware
W = Wet Kit: Ballast + Ignitor + Wet Capacitor + Mounting Hardware

HID Ballast and Lamp Kits also available; please see website www.fulham.com.