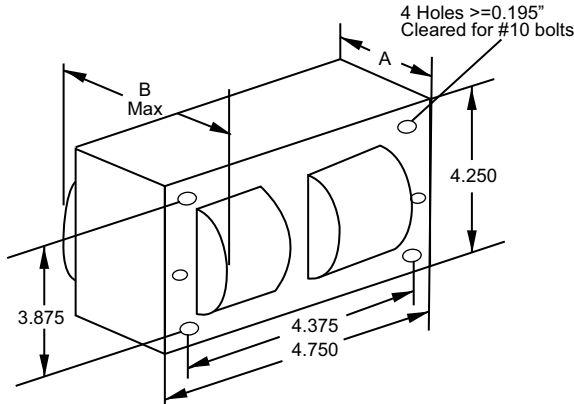


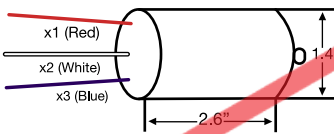
Mechanical Data:

4.25" X 4.75" Core



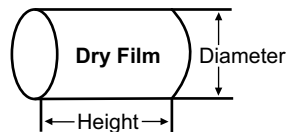
DIMENSION A	1.97 IN
DIMENSION B	3.9 IN
TOTAL WEIGHT	10.7 LBS
LEAD LENGTHS	12 IN

Ignitor: HHHPSIG5200-400



Pulse Height (kV):
2.5 ~ 4.0
Pulse Width (μ s):
1.0 @ 2.3kV

Capacitor: HHHPSDCAP5250 (Dry Type)



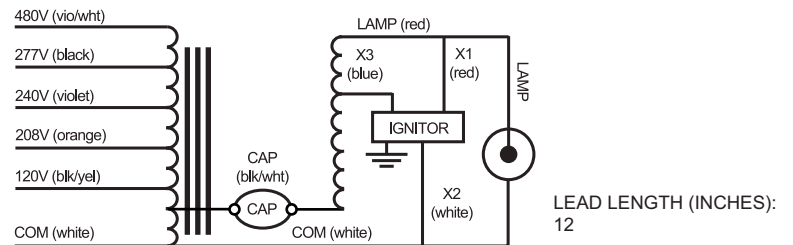
Diameter 1.78"
Height 3.15"

35 μ F 240V

Electrical Data:

INPUT VOLTS	120	208	240	277	480	
MIN. STARTING TEMP	-40°F/-40°C					
POWER FACTOR (>%)	90%					
ANSI CODE	250W, S-50					
CIRCUIT TYPE	CWA					
WATTS INPUT	298					
NOM OPEN CIRCUIT VOLTAGE (V)	185					
RECOMMENDED FUSE (AMPS)	7	4	4	3	2	
REGULATION						
LINE VOLTS	±10%					
LAMP WATTS	±10%					
INPUT VOLTAGE AT LAMP DROPOUT	65	100	115	130	220	
LINE CURRENT (AMPS)						
OPERATING	2.6	1.5	1.3	1.1	0.6	
OPEN CIRCUIT	2.0	1.2	1.0	0.9	0.5	
STARTING	1.4	0.8	0.7	0.6	0.4	
UL TEMPERATURE RATINGS						
180° CLASS H	D	D	C	C	C	
200° CLASS N	A	A	A	A	A	
COIL TEMPERATURE CODE	1029					
CAPACITOR REQUIREMENT						
MFD	35mF					
MIN VOLT	240V					
IGNITOR						
PART NUMBER	HHHPSIG5200-400					
MAX DIST TO LAMP	10FT FROM IGNITOR					
HIGH POTENTIAL TEST (V)	1 MIN: 2000, 1 SEC: 2400					
OPEN CIRCUIT VOLTAGE TEST (VOLTS)	175 - 210					
SHORT CIRCUIT CURRENT TEST (AMPS)						
SECONDARY	MIN	3.0				
	MAX	4.5				
INPUT	MIN	0.5	0.3	0.3	0.2	0.1
	MAX	1.6	0.9	0.8	0.7	0.4
COIL MATERIAL	Cu/Al					

Wiring Diagram



Options:

Basic Ballast Kit includes Ballast, Ignitor, Dry Capacitor, and Mounting Hardware only.
HID Ballast and Lamp Kits also available; please see website www.fulham.com