

Project _____ Type _____ Model # _____

Remarks _____

Description: The Fulham FHSWLPWH Single Pole Wall Plate can be used when remote mounting the Lighted Push Button Test Switch (LPBTS) next to the fixture, on the wall or in any location within the maximum remote mounting distance (50 feet) of the Lighted Push Button Test Switch (LPBTS). The FHSWLPWH Wall Plate is compatible with any Fulham product using a single pole test switch (see list below). The FHSWLPWH fits a single gang box (box not supplied).

Image / Compatibility

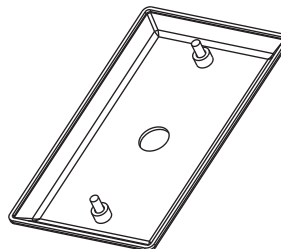
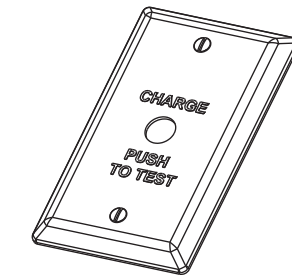
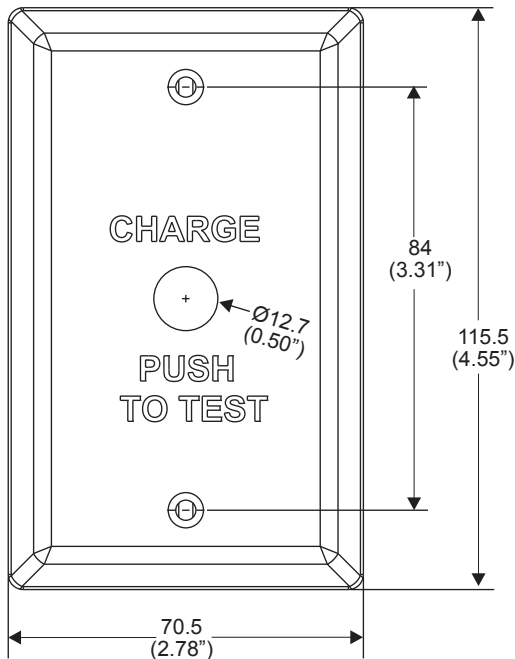


Compatible with:

HotSpot Emergency Drivers and FireHorse Emergency Ballasts.

Wall plate and screw color:
white with black lettering

Mechanical Data



Includes:

1. "Charge push to Test" plate
2. (2) 6-32 x 1/2 "LG mounting screws

Dimensions are in mm (in)