



- Wet Location Test Switch
- Stainless Steel
- IP67

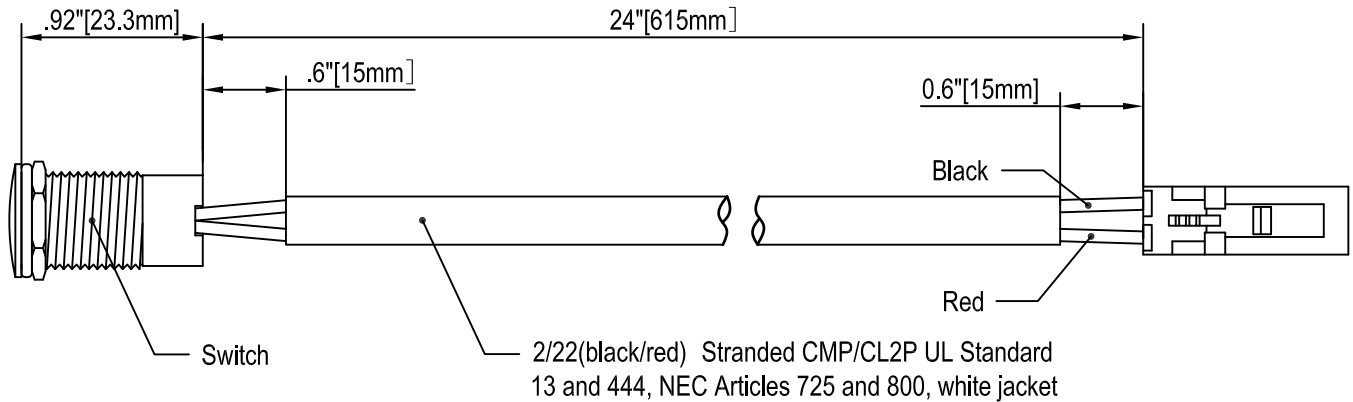
This Test Switch Will Operate The Following Fulham Emergency LED Drivers: FHS2-UNV-36L, FHS2-UNV-56S, FHSAC1-UNV-40C, FHSAC1-UNV-40L, FHSAC1-UNV-40BLS, FHSAC1-230-45CE, FHSCP-UNV-10P-L-SD.

General Specifications

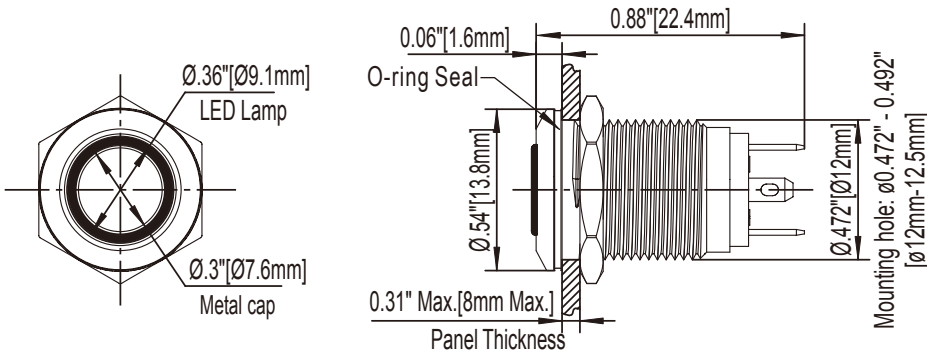
Led Color	Red/Green
Waterproof	IP67 (Switch Side Only)
Ambient Operating Temperature Range	-25°C to 55°C
Mechanical Life	>100,000 Cycles
Warranty	5 Years

Mechanical Data

Tolerance=±0.5" [12.7mm]



The switch overall dimension



Fulham extends a limited warranty to the original purchaser or first user for a period of 5 years from the date of manufacture when properly installed and operated under normal conditions of use. For complete terms and conditions, please refer to the Warranty Center at www.fulham.com. Specifications subject to change without notice.