



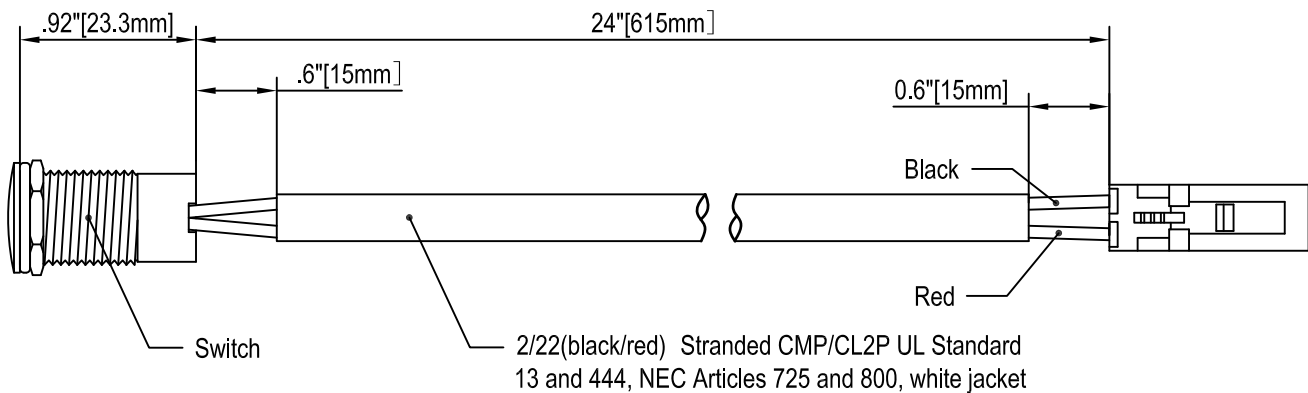
**Description:** WET LOCATION TEST SWITCH

**This Test Switch Will Operate The Following Fulham Emergency LED Driver:**  
 FHS1-UNV-3.6L, FHS2-UNV-36L, FHS2-UNV-56S, FHSAC1-UNV-40C, FHSAC1-UNV-40BLS,  
 FHSAC1-UNV-40L, FHSAC1-230-45CED, FHSCP-UNV-10P-L-SD

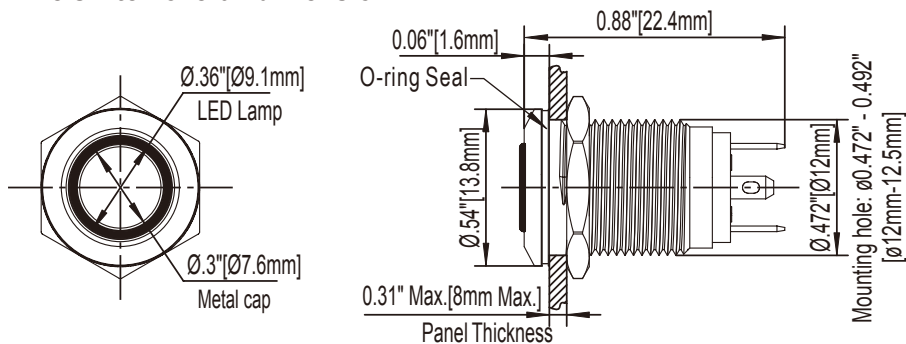
**ELECTRICAL DATA**

LED Color	Red
Waterproof	IP67 (Switch side only)
Ambient Operating Temperature Range	-25°C to 55°C
Mechanical Life	>100,000 cycles
RoHS	Yes

**MECHANICAL DATA**



**The switch overall dimension**



Fulham extends a limited warranty only to the original purchaser or to the first user for a period of **5 years** from the date of manufacture when properly installed and operated under normal conditions of use. For complete terms and conditions, please reference the Fulham Product Catalog ([www.fulham.com](http://www.fulham.com)). Due to a program of continuous improvement, Fulham reserves the right to make modifications or variations in design or construction to the equipment described. © Fulham Company Limited, All Rights Reserved.