



- Test Switch Extension

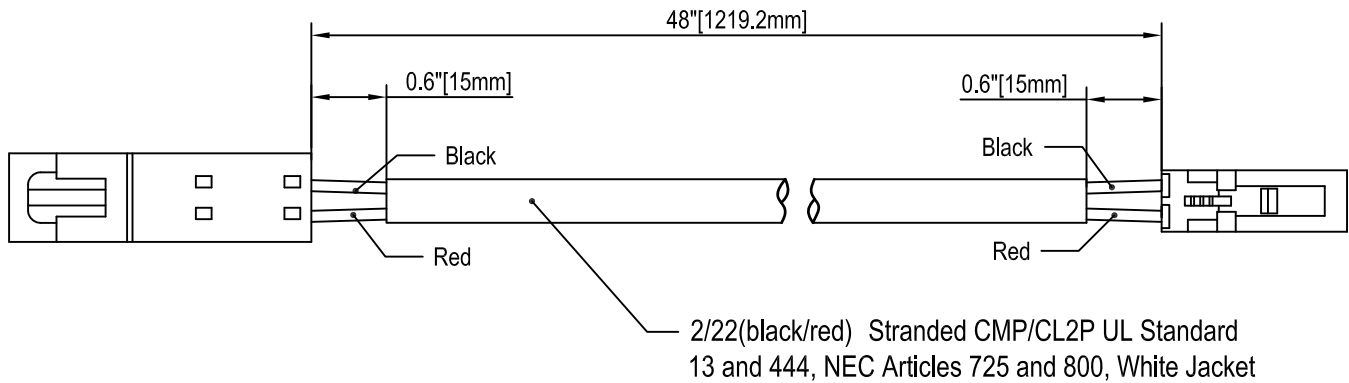
This Test Switch Will Operate The Following Fulham Emergency LED Drivers: FHS1-UNV-3.6L, FHS2-UNV-36L, FHS2-UNV-56S, FHSAC1-UNV-40C, FHSAC1-UNV-40L, FHSAC1-UNV-40BLS, FHSAC1-230-45CE, FHSCP-UNV-10P-L-SD.

General Specifications

Wire Length	48"
Ambient Operating Temperature Range	-25°C to 55°C
Warranty	5 Years

Mechanical Data

Tolerance=±0.5" [12.7mm]



Fulham extends a limited warranty to the original purchaser or first user for a period of 5 years from the date of manufacture when properly installed and operated under normal conditions of use. For complete terms and conditions, please refer to the Warranty Center at www.fulham.com. Specifications subject to change without notice.