



FHNY23



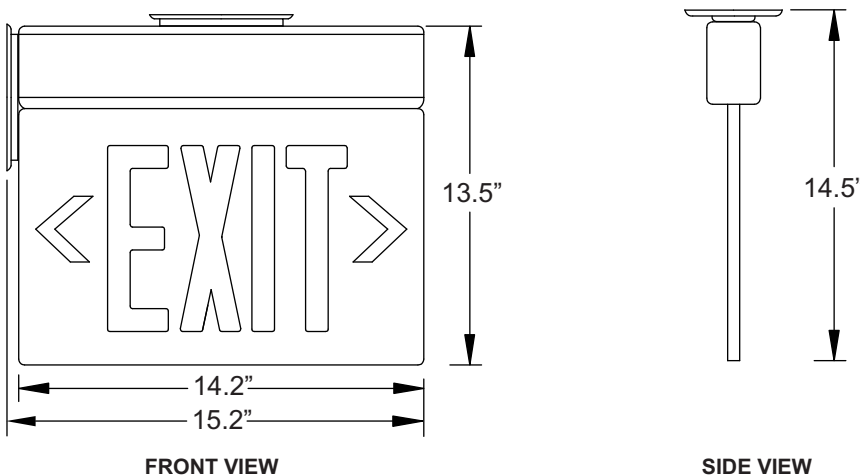
Recess-Mount Edge-Lit LED Exit Signs

- Push-to-test switch
- LED charge indicator
- Mirror divider on double face versions
- Field applied chevron directional indicators
- Maintenance free, 6V sealed lead-acid battery
- AC and EM models
- Graduated depth of molded letters provides uniform light distribution on graphics
- Universal mount
- Dual voltage 120V/277V
- New York city approved

General Specifications

Input Voltage	120/277VAC
Input Current (120V)	148mA
Input Current (277V)	131mA
Input Power (120V)	3.0W
Input Power (277V)	2.8W
Operating Frequency	60Hz
Overall Size	14.2" L x 13.5" H
Emergency Operation	90 minutes
Compliance	UL 924 Listed Damp Location
Warranty	5 years from the date of manufacture

Mechanical Data



Part Number Matrix

FHNY23

S

AC

Number of Faces
S = Single
D = Dual

Operation
AC = AC only
EM = Battery backup