



FHEX25



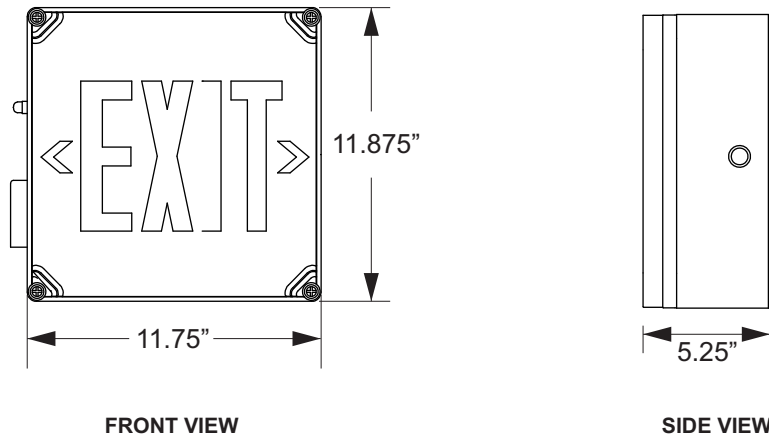
Wet-Location LED Exit Sign

- Push-to-test switch
- LED charge indicator
- Sealed and gasketed housing
- Field selectable chevron directional indicator punch-outs
- Ni-Cd premium battery
- Integral breather vent
- Resistant to corrosive atmospheres, non-hazardous dust environments, frequent hose-downs, water spray or splashing water
- Dual voltage 120V/277V
- UL Listed in accordance with UL924

General Specifications

| | |
|--|--------------------------------------|
| Input Voltage | 120/277VAC |
| Input Current (120V) | 28mA |
| Input Current (277V) | 11mA |
| Input Power (120V) | 3.2W |
| Input Power (277V) | 3.0W |
| Operating Frequency | 60Hz |
| Operating Ambient Temperature Range (Ta) | 10°C to 40°C / 50°F to 104°F |
| Overall Size | 11.75" L x 11.875" H |
| Emergency Operation | 90 minutes |
| Compliance | UL 924 Listed Wet Location |
| Warranty | 5 years from the date of manufacture |

Mechanical Data



Part Number Matrix

FHEX25

R

EM

Letter Color
R = Red

Operation
EM = Battery Backup