



FHEX20



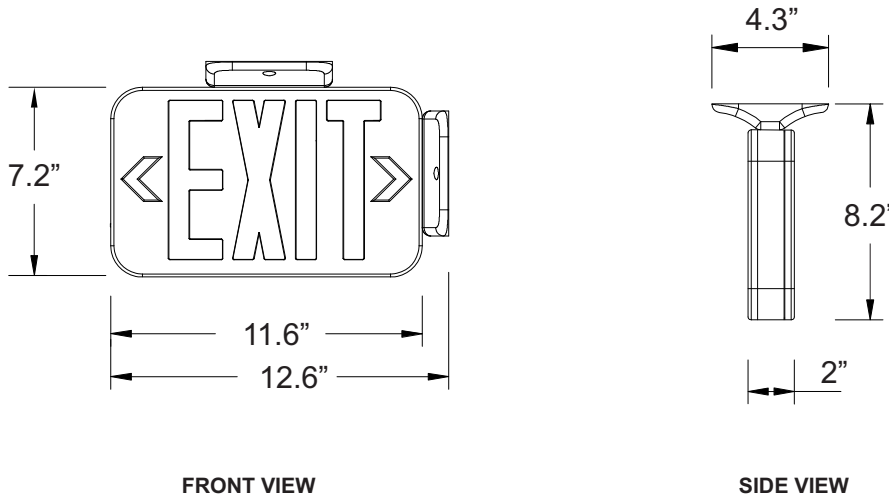
Thermoplastic Micro LED Exit Sign

- Push to test switch
- LED charge indicator
- Long life energy saving LED light source
- Universal single and double face (extra faceplate included)
- NiCd premium battery
- Universal mounting pattern knockouts in backplate for J-Box mounting
- Snap fit faceplate installs without use of tools
- Field replaceable snap out / in chevron directional indicator
- Dual voltage 120V/277V
- UL listed in accordance with UL924

General Specifications

	Red	Green
Input Voltage	120/277VAC	
Input Current (120V)	19mA	19mA
Input Current (277V)	9mA	9mA
Input Power (120V)	1.49W	1.49W
Input Power (277V)	1.88W	1.57W
Operating Frequency	60Hz	
Operating Ambient Temperature Range (Ta)	Ambient temperature rating (Indoor): 20°C to 30°C.	
Overall Size	12.6" L x 8.2" H	
Emergency Operation	90 minutes	
Compliance	cULus 924 Listed	
	Damp Location	
Warranty	5 years from the date of manufacture	

Mechanical Data



NOTE:

- 1) In order to maintain proper operation and warranty coverage, the battery must be recharged once per year prior to installation.
 - 2) Spanish "Salida" faceplate also available, must be purchased separately.
- Part numbers:
- FHE30-20SFG= Green lettering
 - FHE30-20SFR= Red lettering

Part Number Matrix

FHEX20

W

R

AC

RC

Case Color
W = White
B = Black

Letter Color
R = Red
G = Green

Operation
AC = AC Only
EM = Battery Backup

Options
Blank = Standard
RC = Remote Capable