



FHEC35

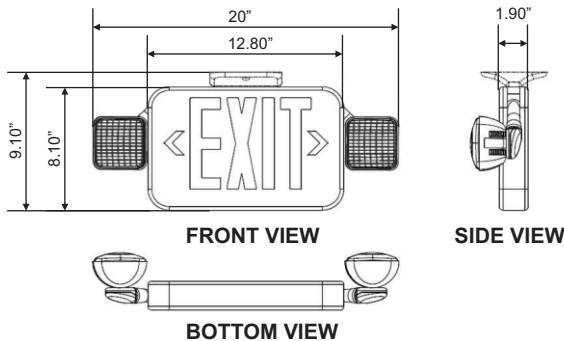
Thermoplastic Slim Adjustable Combo

- Maintenance-free, NiCd battery
- Energy saving LED
- Double faced
- Removable universal knock-out chevrons
- High impact resistant thermoplastic housing in white finish
- Optional Self-diagnostic option available see below for details
- Optional remote capable version offers up to an additional 3.4W for 90 minutes
- Compatible with FHEM10RH and FHEM16RH (see specification sheet for details)
- Factory installed, fully adjustable, glare free 3.6V, 0.97W square LED lamp heads

General Specifications

	FHEC35R	FHEC35G	FHEC35RSD	FHEC35GSD	FHEC35RRC	FHEC35GRC	FHEC35RRCS
Input Current (120V)	35mA	28mA	25mA	27mA	37mA	32mA	38mA
Input Current (277V)	15mA	16mA	11mA	12mA	16mA	14mA	17mA
Input Power (120V)	2.8W	2.9W	2.8W	3.0W	3.7W	2.19W	4.0W
Input Power (277V)	2.8W	3.4W	2.8W	3.0W	3.7W	2.60W	4.0W
Input Voltage	120/277VAC						
Operating Frequency	60Hz						
Max Initial Light Output	100 Lumens						
Operating Ambient Temperature Range (Ta)	10°C to 40°C / 50°F to 104°F						
Overall Size	20" L x 9.10" H x 1.9" W						
Emergency Operation	90 minutes						
Compliance	UL 924 Listed Damp Location						
Warranty	5 years from the date of manufacture						

Mechanical Data



Lamp Data

- Two 3.6V, 0.97W Square LED Lamp Heads

Part Number Matrix

FHEC35

R

Letter Color
R = Red
G = Green

Options
Blank = Standard
SD = Self-Diagnostic*Ⓢ
RC = Remote CapableⓈ

*Self-Diagnostic option tests the fixture every 30 days for 15 minutes and once every 12 months for a full 90 min discharge test. After each test the battery is recharged automatically and the unit returns to normal operating mode. Any problems found during or after the test are reported through the user interface.

① Options may be combined