



FHEC34



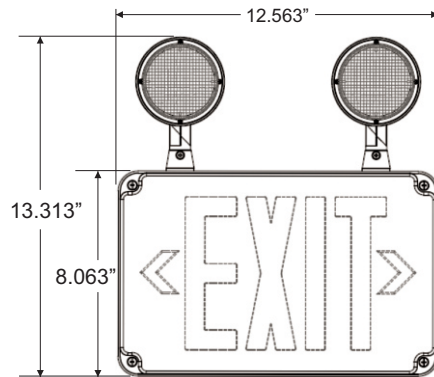
Mini Wet Location LED Exit Sign

- Maintenance-free, NiCd battery
- Energy Saving LED
- Double faced
- Universal knock-out chevrons
- Corrosion and impact resistant thermoplastic housing
- Optional Remote Capable version offers up to an additional 3W for 90 minutes
- Compatible with FHEM12RH (See Specification Sheet for details)
- Sealed and gasketed housing, includes two sealed and gasketed 3.6V, 1.17W weatherproof plastic LED lamp heads
- Ideal for: stores, offices, hospitals and school corridors

General Specifications

	FHEC34G	FHEC34R	FHEC34RRC	FHEC34GRC
Input Voltage	120/277VAC			
Input Current (120V)	35mA	35.3mA	37.7mA	36.2mA
Input Current (277V)	16mA	16.2mA	17.2mA	15.7mA
Input Power (120V)	4.01W	4.06W	4.32W	4.13W
Input Power (277V)	4.2W	4.3W	4.57W	4.13W
Operating Frequency	60Hz			
Max Initial Light Output	170.6 Lumens			
Operating Ambient Temperature Range (Ta)	0°C to 40°C / 32°F to 104°F			
Overall Size	12.563" L x 13.313" H x 2.5" W			
Emergency Operation	90 minutes			
Compliance	UL 924 Listed Wet Location			
Warranty	5 years from the date of manufacture			

Mechanical Data



FRONT VIEW



SIDE VIEW

Two 3.6V, 1.17W LED Lamp Heads

Part Number Matrix

FHEC34

R

RC

Letter Color
R = Red
G = Green

Options
RC = Remote Capable