

## SPECIFICATION SHEET : FEP-120-600-L

This Is An Original Product From Fulham Co., Inc

**Description : Sun Horse electronic ballast developed for use with UV & tanning lamp applications, Sign Application.**

**This Ballast Will Operate Following Lamps.**

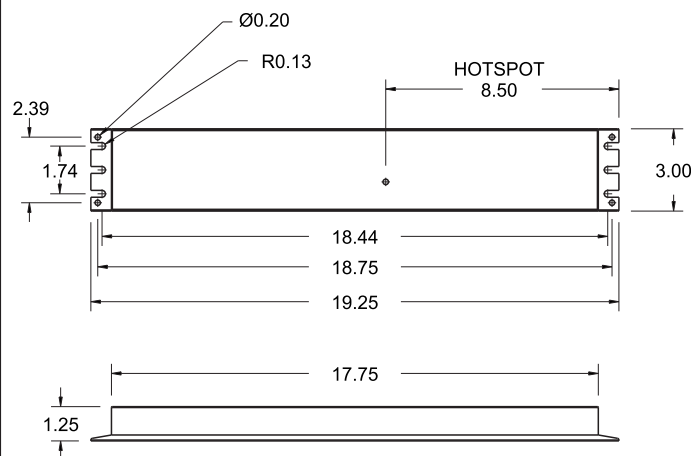


F24T12HO, F30T12HO, F36T12HO, F48T12HO, F59T12HO, F60T12HO, F64T12HO, F72T12HO, F72T12HO(160W), F79T12HO(180 OR 200W)

### ELECTRICAL DATA

INPUT VOLT: 120V ± 10%, 50/60Hz							
LAMP WATTS/TYPE	F24T12HO	F30T12HO	F36T12HO	F48T12HO	F60T12HO	F64T12HO	F72T12HO
LAMPS OPERATED	4						
INPUT WATTS	120.3W	150.2W	168.9W	217.3W	272.8W	277.2W	322.0W
LINE CURRENT:	1.096A	1.367A	1.538A	1.964A	2.459A	2.496A	2.898A
POWER FACTOR	0.92	0.92	0.92	0.92	0.93	0.93	0.93
BALLAST FACTOR	0.89	1.02	0.94	0.96	0.98	0.94	1.02
EFFICACY FACTOR	0.74	0.68	0.56	0.44	0.36	0.34	0.32
EMI/RFI COMPLIANCE	FCC PART 18-A						
SOUND RATING	" A "						
BALLAST TYPE	INSTANT START						
VOLTAGE TRANSIENTS	ANSI C82.11 - 1993 / C62.41						
THERMAL PROTECTION	AUTOMATIC RESETTING THERMAL SWITCH						
MIN. OPERATING TEMP	-18 °C ( 0 ° F )						
MAX. CASE TEMP	70 °C ( 158 ° F )						
ENERGY STAR 4.0	-						
APPROVALS/CLASS	UL /cUL LISTED, CLASS " P ", 1 OUTDOOR						

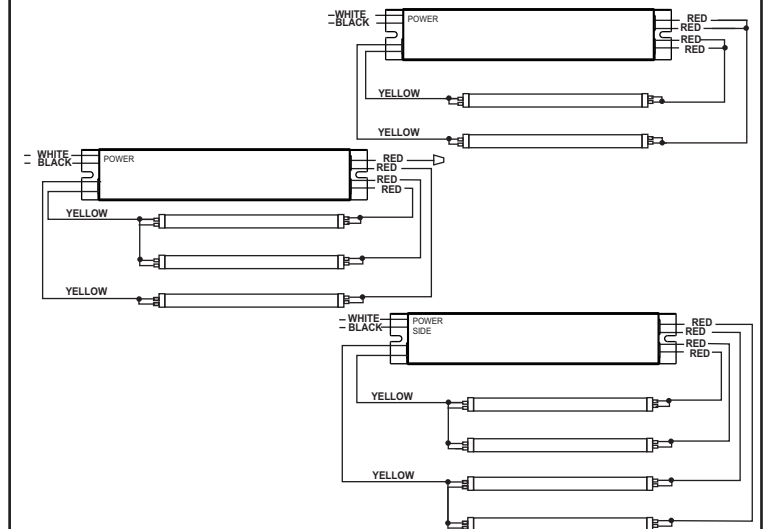
### MECHANICAL DATA



Where : L = Length, W = Width, H = Height

### WIRING DIAGRAMS

WIRE	BLACK	WHITE	RED	BLUE	YELLOW	BROWN
LENGTH - INCHES	24 ± 1"	24 ± 1"	48 ± 1"		48 ± 1"	



**NOTE : This Ballast Case Must Be Grounded**

Fulham Co., Inc extends limited warranty only to the original purchaser or to the first user for the period of 3 years from the date of manufacture as indicated by the date code stamped on each product and when properly installed and under normal conditions of use. For additional warranty guide line, please refer to our Complete Product Catalog OR call Customer Service at 1-323-599-5000.

DUE TO A PROGRAM OF CONTINUOUS IMPROVEMENT, FULHAM Co., INC RESERVES THE RIGHT TO MAKE ANY VARIATION IN DESIGN OR CONSTRUCTION TO THE EQUIPMENT DESCRIBED.

Address : 12705 South Van Ness Ave., Hawthorne, CA 90250 Tel.: 1-323-599-5000, Fax.: 1-323-754-9060. Website: [www.fulham.com](http://www.fulham.com) 2006-87-1 rev C

## SPECIFICATION SHEET : FEP-120-600-L

This Is An Original Product From Fulham Co., Inc

**Description : Sun Horse electronic ballast developed for use with UV & tanning lamp applications, Sign Application.**

**This Ballast Will Operate Following Lamps.**

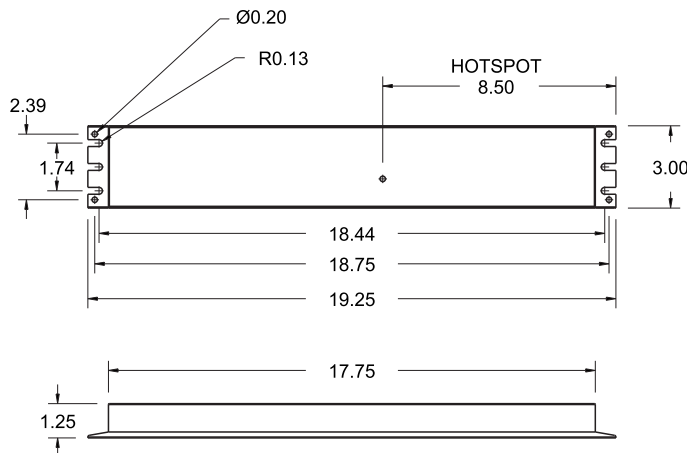


F24T12HO, F30T12HO, F36T12HO, F48T12HO, F59T12HO, F60T12HO, F64T12HO, F72T12HO, F72T12HO(160W), F79T12HO(180 OR 200W)

### ELECTRICAL DATA

INPUT VOLT: 120V ± 10%, 50/60Hz									
LAMP WATTS/TYPE	F24T12HO	F30T12HO	F36T12HO	F48T12HO	F60T12HO	F64T12HO	F72T12HO	F84T12HO	
LAMPS OPERATED	3								
INPUT WATTS	102.7W	126.2W	131.5W	177.5W	216.9W	231.6W	267.5W	310.0W	
LINE CURRENT:	0.932W	1.143A	1.195A	1.564A	1.924A	2.083A	2.408A	2.792A	
POWER FACTOR	0.93	0.92	0.93	0.94	0.94	0.93	0.93	0.93	
BALLAST FACTOR	0.99	1.18	0.91	1.02	1.00	1.00	1.13	1.08	
EFFICACY FACTOR	0.96	0.94	0.69	0.58	0.46	0.43	0.42	0.35	
EMI/RFI COMPLIANCE	FCC PART 18-A								
SOUND RATING	" A "								
BALLAST TYPE	INSTANT START								
VOLTAGE TRANSIENTS	ANSI C82.11 - 1993 / C62.41								
THERMAL PROTECTION	AUTOMATIC RESETTING THERMAL SWITCH								
MIN. OPERATING TEMP	-18 0C ( 0 0 F )								
MAX. CASE TEMP	70 0C ( 158 0 F )								
ENERGY STAR 4.0	-								
APPROVALS/CLASS	UL /cUL LISTED, CLASS " P ", 1 OUTDOOR								

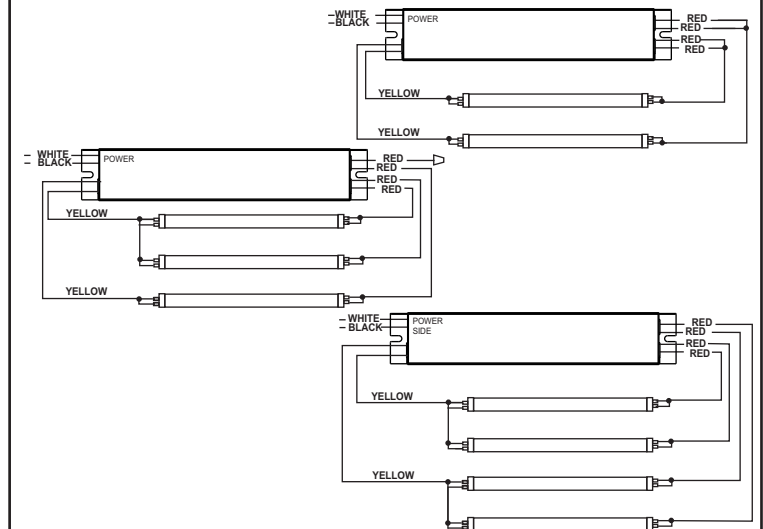
### MECHANICAL DATA



Where : L = Length, W = Width, H = Height

### WIRING DIAGRAMS

WIRE	BLACK	WHITE	RED	BLUE	YELLOW	BROWN
LENGTH - INCHES	24 ± 1"	24 ± 1"	48 ± 1"		48 ± 1"	



**NOTE : This Ballast Case Must Be Grounded**

Fulham Co., Inc extends limited warranty only to the original purchaser or to the first user for the period of 3 years from the date of manufacture as indicated by the date code stamped on each product and when properly installed and under normal conditions of use. For additional warranty guide line, please refer to our Complete Product Catalog OR call Customer Service at 1-323-599-5000.

DUE TO A PROGRAM OF CONTINUOUS IMPROVEMENT, FULHAM Co., INC RESERVES THE RIGHT TO MAKE ANY VARIATION IN DESIGN OR CONSTRUCTION TO THE EQUIPMENT DESCRIBED.

Address : 12705 South Van Ness Ave., Hawthorne, CA 90250 Tel.: 1-323-599-5000, Fax.: 1-323-754-9060. Website: [www.fulham.com](http://www.fulham.com) 2006-87-2 rev C

## SPECIFICATION SHEET : FEP-120-600-L

This Is An Original Product From Fulham Co., Inc

**Description : Sun Horse electronic ballast developed for use with UV & tanning lamp applications, Sign Application.**

**This Ballast Will Operate Following Lamps.**

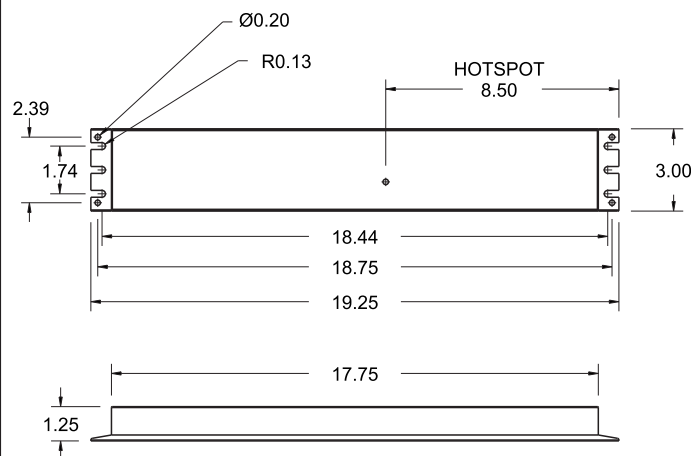


F24T12HO, F30T12HO, F36T12HO, F48T12HO, F59T12HO, F60T12HO, F64T12HO, F72T12HO, F72T12HO(160W), F79T12HO(180 OR 200W)

### ELECTRICAL DATA Tanning Lamp

INPUT VOLT: 120V ± 10%, 50/60Hz								
LAMP WATTS/TYPE	F59T12HO 85W	F72T12HO 100W	F59T12HO 85W	F72T12HO 100W	F84T12HO 120W	F72T12HO 160W	F79T12HO 200W	F79T12HO 200W
LAMPS OPERATED	4		3			2		1
INPUT WATTS	272.8W	317.7	220.5W	266.1W	283.1W	244.4W	297.6W	217.2W
LINE CURRENT:	2.438A	2.828	1.979A	2.380A	2.546A	2.193A	2.660A	1.935A
POWER FACTOR	0.93	0.93	0.92	0.93	0.93	0.92	0.93	0.94
BALLAST FACTOR	0.80	0.82	0.86	0.89	0.81	0.78	0.77	1.09
EFFICACY FACTOR	0.29	0.26	0.39	0.34	0.29	0.32	0.26	0.50
EMI/RFI COMPLIANCE	FCC PART 18-A							
SOUND RATING	" A "							
BALLAST TYPE	INSTANT START							
VOLTAGE TRANSIENTS	ANSI C82.11 - 1993 / C62.41							
THERMAL PROTECTION	AUTOMATIC RESETTING THERMAL SWITCH							
MIN. OPERATING TEMP	-18 °C ( 0 °F )							
MAX. CASE TEMP	70 °C ( 158 °F )							
ENERGY STAR 4.0	-							
APPROVALS/CLASS	UL /cUL LISTED, CLASS " P ", 1 OUTDOOR							

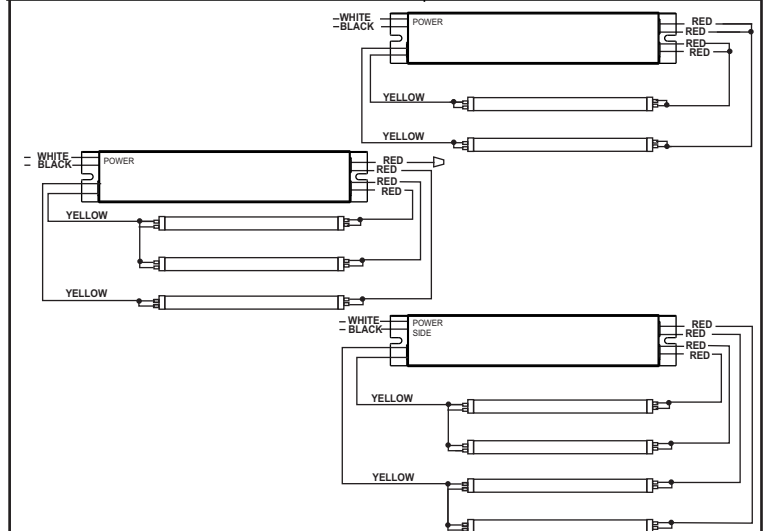
#### MECHANICAL DATA



Where : L = Length, W = Width, H = Height

#### WIRING DIAGRAMS

WIRE	BLACK	WHITE	RED	BLUE	YELLOW	BROWN
LENGTH - INCHES	24 ± 1"	24 ± 1"	48 ± 1"		48 ± 1"	



**NOTE : This Ballast Case Must Be Grounded**

Fulham Co., Inc extends limited warranty only to the original purchaser or to the first user for the period of 3 years from the date of manufacture as indicated by the date code stamped on each product and when properly installed and under normal conditions of use. For additional warranty guide line, please refer to our Complete Product Catalog OR call Customer Service at 1-323-599-5000.

DUE TO A PROGRAM OF CONTINUOUS IMPROVEMENT, FULHAM Co., INC RESERVES THE RIGHT TO MAKE ANY VARIATION IN DESIGN OR CONSTRUCTION TO THE EQUIPMENT DESCRIBED.

Address : 12705 South Van Ness Ave., Hawthorne, CA 90250 Tel.: 1-323-599-5000, Fax.: 1-323-754-9060. Website: [www.fulham.com](http://www.fulham.com) 2006-87-3 rev C