

Description: 23.1 W Square LED Module / 170x170mm / 77LEDs / S11 P7

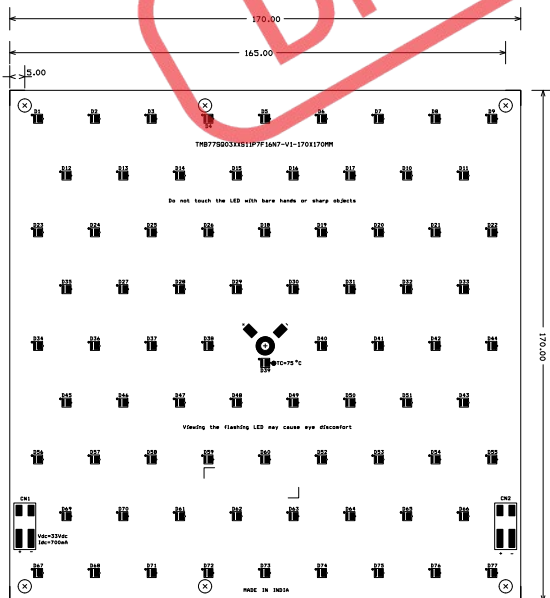
This LED Module Should be Operated On:

Any LED Driver designed to provide output Current of 700mA and Voltage 33Vdc

ELECTRICAL DATA

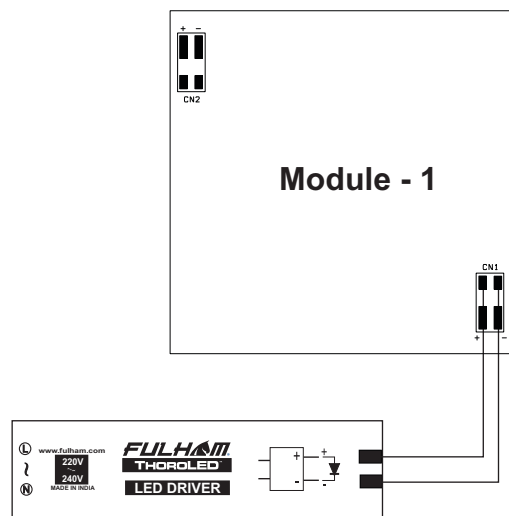
NOMINAL INPUT VOLTAGE (V _{DC})	33
NOMINAL INPUT CURRENT (mA)	700
NOMINAL POWER CONSUMPTION(W)	23.1
PCB SIZE (mm)	SQUARE 170X170
PCB MATERIAL TYPE	FR-4
CCT	5700K / 4000K / 2700K
CALCULATED USABLE ARRAY FLUX (lm)	3420 / 3340 / 2910
RECOMMENDED ATTACHMENT METHOD	M3 Pan Head Screw
WEIGHT (gm)	90
MAXIMUM STORAGE TEMPERATURE (°C)	-40 to 100
MAXIMUM OPERATING AMBIENT TEMPERATURE (°C)	-35 to 50
MAXIMUM T _c (°C)	75
BEAM ANGLE	115°
CRI (Typ)	70

MECHANICAL DATA



SYM	DIAM	TOL	QTY	NOTE
x	4.000 mm		6	
+	5.999 mm		1	
TOTAL			7	

WIRING DIAGRAMS



Driver must be grounded (if applicable).

Fulham extends a limited warranty only to the original purchaser or to the first user for a period of 3 years from the date of manufacture when properly installed and operated under normal conditions of use. For complete terms and conditions, please reference the Fulham product catalog (www.fulham.com)
Due to a program of continuous improvement, Fulham reserves the right to make modifications or variations in design or construction to the equipment described. © Fulham Company Limited, All Rights Reserved.