

- Constant Current LED Driver
- Output Wattage: 59W
- Universal Voltage: 100V-300VAC, 50/60Hz
- Output Current: 1400mA \pm 5%
- CRCA and Wires
- Output voltage range of 28-42VDC
- IP65

General Specifications

| | |
|---------------------------------------|---|
| Rated Input Voltage | 240VAC, 50/60 Hz |
| Operating Input Voltage Range | 100-300VAC, 50/60 Hz |
| Input Current | 0.46 A Max. |
| Input Power | 72W Max. |
| Power Factor | >0.97 |
| THD | <10% |
| Efficiency | >86% Typical |
| Driver Type | Isolated, Class I |
| Output Current | 1400mA \pm 5% |
| Output Voltage Range | 28-42VDC |
| Output Power | 59W Max. |
| Number of Output Channels | 1 Channel |
| Dimming Controller Type/Dimming Range | NA |
| RFI/EMI | NA |
| Output Type | Constant Current |
| Ambient Operating Temperature Range | -25°C to 50°C |
| Max. Case Temperature | 80°C (176°F) |
| Sound Rating | NA |
| Input Surge Protection | YES (4KV/4KV) |
| Protections | Input Current Protection - Non Resettable |
| | Output Short Circuit Protection - Autorecovery |
| | Input Over Voltage - Over Voltage Operation (48Hrs@320VAC, 2Hrs@360VAC) |
| | Input Under Voltage - NA |
| | Over Temperature protection - Output Current Foldback Above Tc max |
| Service Life | 50,000 hours @ Tc 80°C (176°F) |
| Approvals / Class | Class I; Dry and Damp Locations; IP65 |
| Warranty | 3 years |

Note : The usage of a compatible* SPD is mandatory for outdoor application.

*Compatibility : Any SPD with Up (L-N) \leq 1400V (Up- Voltage protection level as defined in IEC61643-11)

Recommended Fulham SPD - SPD1277S5A5K67

Figure 1

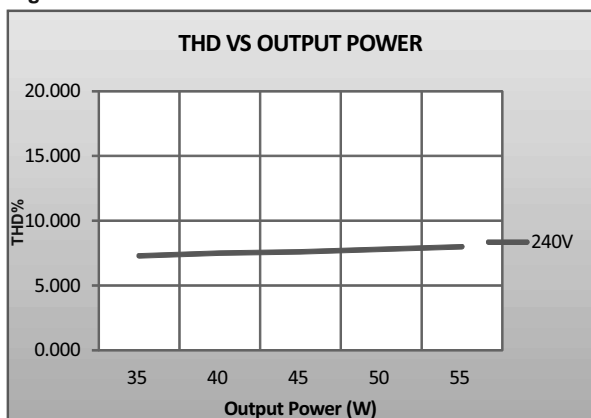
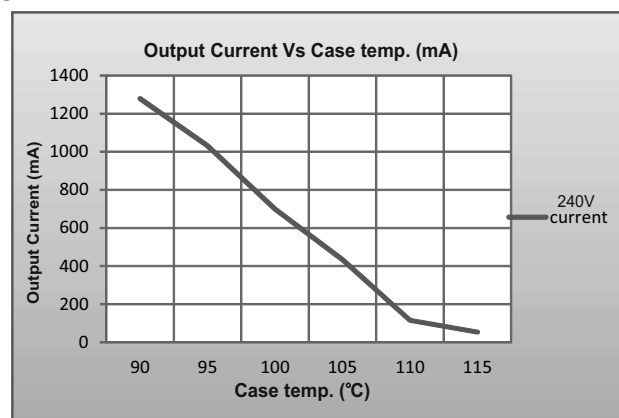


Figure 2



Fulham extends a limited warranty only to the original purchaser or to the first user for a period of **3 years @ Tc 80°C** from the date of manufacture when properly installed and operated under normal conditions of use. For complete terms and conditions, please reference the Fulham Product Catalog (www.fulham.com). Due to a program of continuous improvement, Fulham reserves the right to make modifications or variations in design or construction to the equipment described. © Fulham Company Limited, All Rights Reserved.

Figure 3

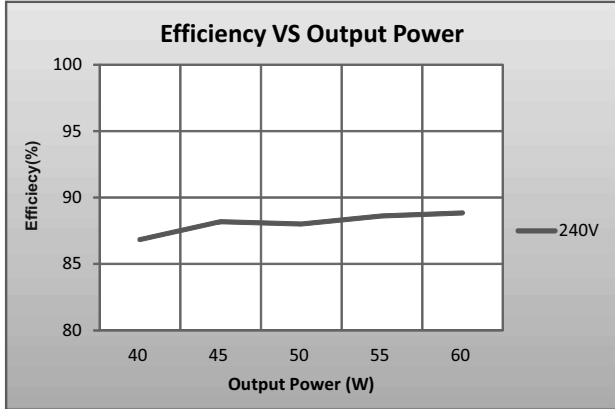
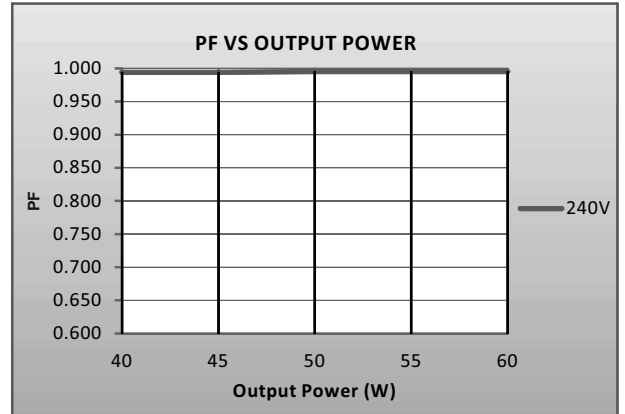
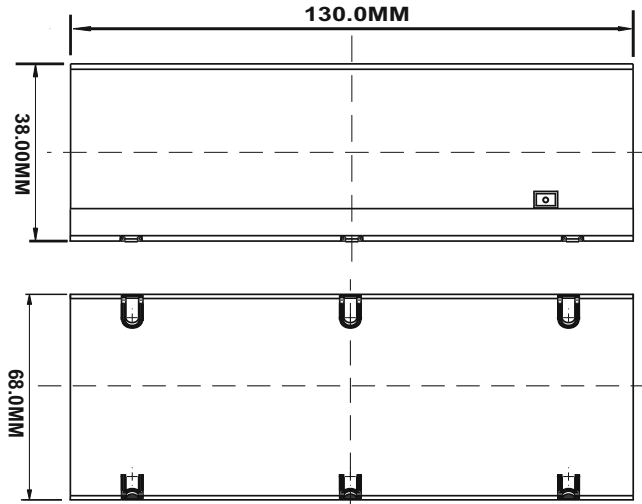


Figure 4



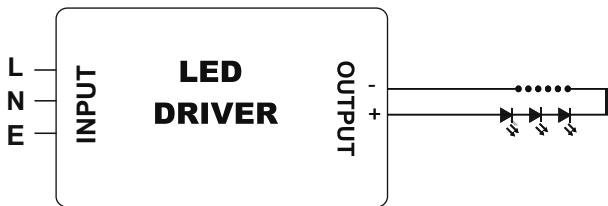
Mechanical Data

MECHANICAL DATA



Tolerance=±0.5mm

Wiring Diagrams



| INPUT SIDE | LENGTH | OUTPUT SIDE | LENGTH |
|------------|--------|-------------|--------|
| BLACK (L) | 300 mm | RED (+) | 300 mm |
| WHITE (N) | 300 mm | BLUE (-) | 300 mm |
| GREEN (E) | 300 mm | | |

Note: This Driver Must Be Grounded