

Description: 53W Constant Current LED Driver, Single Channel, 24-38V, 1.40A (Non Dimmable) (L X W X H=130X68X38MM)

This Driver Will Operate The Following LED Modules:

Any LED module designed to accept 1400mA and a voltage of 24-38VDC.

ELECTRICAL DATA

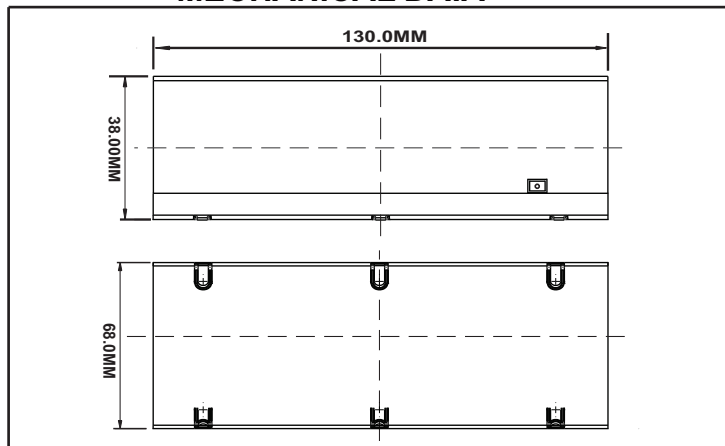
RATED INPUT VOLTAGE	240 Vac
OPERATING INPUT VOLTAGE RANGE	100Vac~300Vac, 50/60Hz
OPTIMUM PERFORMANCE INPUT VOLTAGE RANGE	216Vac~254Vac, 50/60Hz
INPUT CURRENT (MAX)	0.26A
POWER FACTOR	0.99
Athd	10%
EFFICIENCY	>86%
CONSTANT CURRENT, VOLTAGE OR POWER	Constant Current
OUTPUT CURRENT	1400mA
OUTPUT VOLTAGE	24~38 Vdc
OUTPUT WATTAGE	53W
NUMBER OF OUTPUT CHANNELS	1
EMI	N.A.
DIMMING CONTROLLER TYPE	N.A.
DIMMING RANGE	N.A.
MAX CASE HOT SPOT TEMPERATURE (Tc MAX)	80°C
OPERATING TEMPERATURE	-25°C to 50°C
APPROVALS CLASS (CONFORMING TO)	SELV Equivalent, IP62
CASE MATERIAL	METAL (CRCA Powder Coated)

CIRCUIT PROTECTION

SURGE PROTECTION	: Line-Neutral 4kV, Line & Neutral-Earth 4kV
INPUT OVER CURRENT PROTECTION	: NON-RESETTABLE
INPUT OVER VOLTAGE	: APPLICATION @ 320VAC 48Hrs. & @ 360VAC 2Hrs.
INPUT UNDER VOLTAGE	: N.A.
OUTPUT SHORT CIRCUIT PROTECTION	: AUTORECOVERY (HICCUP MODE)
OUTPUT OPEN CIRCUIT PROTECTION	: AUTORECOVERY (HICCUP MODE)
OUTPUT TO GROUND SHORT PROTECTION	: AUTORECOVERY (HICCUP MODE)
OUTPUT OVERLOAD PROTECTION	: AUTORECOVERY (HICCUP MODE)
OVER TEMPERATURE PROTECTION	: ABOVE Tc

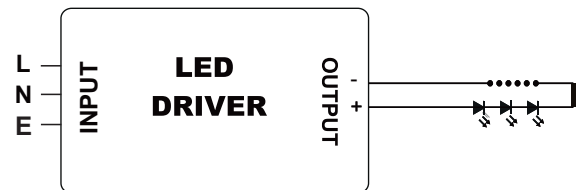
Note: All performance specified at Rated voltage and full load. Output current tolerance: ±5%

MECHANICAL DATA



WIRING DIAGRAMS

INPUT SIDE	LENGTH	OUTPUT SIDE	LENGTH
BLACK	300 mm	RED	300 mm
WHITE	300 mm	BLUE	300 mm
GREEN	300 mm	Output wire with Terminal: N. A.	



Installation Instructions: Keep proper ventilation around the LED Driver and do not stack any object on it. Also a 10-15 cm clearance must be kept when the adjacent device is a heat source. Do not exceed the declared Hot spot temperature(Tc max) under any circumstances.

Fulham extends a limited warranty only to the original purchaser or to the first user for a period of 3 years from the date of manufacture when properly installed and operated under normal conditions of use. For complete terms and conditions, please reference the Fulham product catalog (www.fulham.com) Due to a program of continuous improvement, Fulham reserves the right to make modifications or variations in design or construction to the equipment described. © Fulham Company Limited, All Rights Reserved.