

**Description:** 36W Constant Current LED Driver, Single Channel, 27-36V, 1000mA ( Non Dimmable )

**This Driver Will Operate The Following LED Modules:**

Any LED module designed to accept 1000mA and a voltage of 27-36VDC.

### ELECTRICAL DATA

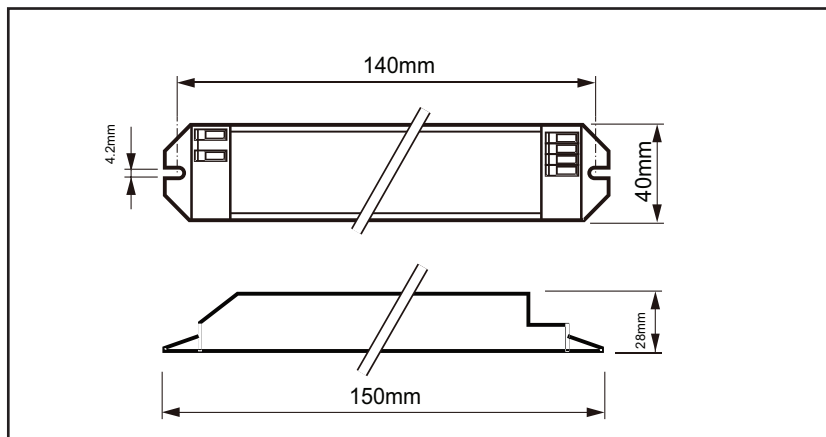
RATED INPUT VOLTAGE	240 Vac
OPERATING INPUT VOLTAGE RANGE	60Vac~300Vac, 50Hz
OPTIMUM PERFORMANCE INPUT VOLTAGE RANGE	150Vac~277Vac, 50Hz
INPUT CURRENT	0.18A
POWER FACTOR	0.98
Athd	10%
EFFICIENCY	>86 %
CONSTANT CURRENT, VOLTAGE OR POWER	Constant Current
OUTPUT CURRENT	1000mA
OUTPUT VOLTAGE	27~36 Vdc
OUTPUT WATTAGE	36W
NUMBER OF OUTPUT CHANNELS	1
EMI	N.A.
DIMMING CONTROLLER TYPE	N.A.
DIMMING RANGE	N.A.
MAX CASE HOT SPOT TEMPERATURE (Tc MAX)	70°C
OPERATING TEMPERATURE	-25°C to 50°C
APPROVALS CLASS (CONFORMING TO)	SELV Equivalent, IP20
CASE MATERIAL	PLASTIC (PC)
HOT PLUG - IN	YES
WEIGHT	0.19KG

### CIRCUIT PROTECTION

SURGE PROTECTION	: Line-Neutral 4kV
INPUT OVER CURRENT PROTECTION	: NON-RESETTABLE
INPUT OVER VOLTAGE	: APPLICATION @ 320VAC 48Hrs. & @ 360VAC 2Hrs.
INPUT UNDER VOLTAGE	: N.A.
OUTPUT SHORT CIRCUIT PROTECTION	: AUTORECOVERY (HICCUP MODE)
OUTPUT OPEN CIRCUIT PROTECTION	: AUTORECOVERY (HICCUP MODE)
OUTPUT TO GROUND SHORT PROTECTION	: YES
OUTPUT OVERLOAD PROTECTION	: YES
OVER TEMPERATURE PROTECTION	: N.A.

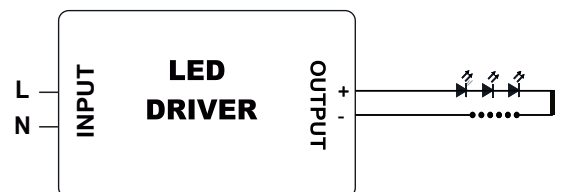
Note: All performance specified at Rated voltage and full load. Output current tolerance: ±5%

### MECHANICAL DATA



### WIRING DIAGRAMS

INPUT SIDE	LENGTH	OUTPUT SIDE	LENGTH
BLACK	N.A.	RED	N.A.
WHITE	N.A.	BLUE	N.A.
GREEN	N.A.	Output wire with Terminal: N. A.	



**Installation Instructions:** Keep proper ventilation around the LED Driver and do not stack any object on it. Also a 10-15 cm clearance must be kept when the adjacent device is a heat source. Do not exceed the declared Hot spot temperature(Tc max) under any circumstances.

Fulham extends a limited warranty only to the original purchaser or to the first user for a period of 3 years from the date of manufacture when properly installed and operated under normal conditions of use. For complete terms and conditions, please reference the Fulham product catalog ([www.fulham.com](http://www.fulham.com))  
**Due to a program of continuous improvement, Fulham reserves the right to make modifications or variations in design or construction to the equipment described.** © Fulham Company Limited, All Rights Reserved.