

**Description:** 38W Constant Power LED Driver, Single Channel, 43-46V, 0.85A ( Non Dimmable )

**This Driver Will Operate The Following LED Modules:**

Any LED module designed to accept 850mA and a voltage of 43-46VDC.

**ELECTRICAL DATA**

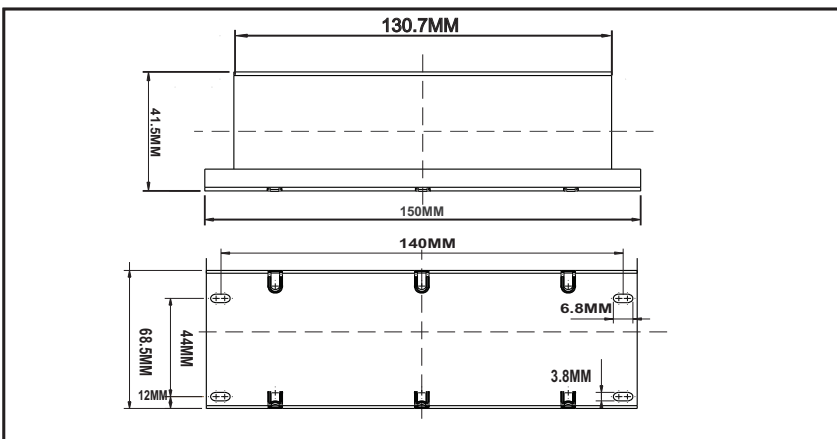
RATED INPUT VOLTAGE	240 Vac
OPERATING INPUT VOLTAGE RANGE	80Vac~277Vac, 50/60Hz
OPTIMUM PERFORMANCE INPUT VOLTAGE RANGE	216Vac~254Vac, 50/60Hz
INPUT CURRENT (MAX)	0.2A
POWER FACTOR	0.98
Athd	15%
EFFICIENCY	>85%
CONSTANT CURRENT, VOLTAGE OR POWER	Constant Power
OUTPUT CURRENT	850mA
OUTPUT VOLTAGE	43~46 Vdc
OUTPUT WATTAGE	38W
NUMBER OF OUTPUT CHANNELS	1
EMI	N.A.
DIMMING CONTROLLER TYPE	N.A.
DIMMING RANGE	N.A.
MAX CASE HOT SPOT TEMPERATURE (Tc MAX.)	75°C
OPERATING TEMPERATURE	-10°C to 50°C
APPROVALS CLASS (CONFORMING TO)	SELV Equivalent, IP62
CASE MATERIAL	METAL (CRCA POWDER COATED)

**CIRCUIT PROTECTION**

SURGE PROTECTION	: Line-Neutral 3kV, Line & Neutral-Earth 3kV
INPUT OVER CURRENT PROTECTION	: NON-RESETTABLE
INPUT OVER VOLTAGE	: Application @ 320VAC 48Hrs. & @ 360VAC 2Hrs.
INPUT UNDER VOLTAGE	: N.A.
OUTPUT SHORT CIRCUIT PROTECTION	: LATCH
OUTPUT OPEN CIRCUIT PROTECTION	: LATCH
OUTPUT TO GROUND SHORT PROTECTION	: YES
OUTPUT OVERLOAD PROTECTION	: LATCH
OVER TEMPERATURE PROTECTION	: N.A.

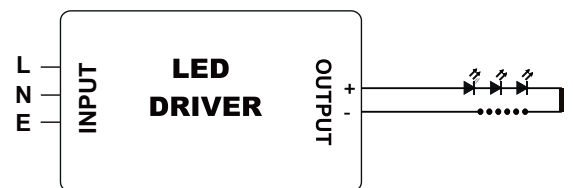
Note: All performance specified at Rated voltage and full load. Output current tolerance: ±5%

**MECHANICAL DATA**



**WIRING DIAGRAMS**

INPUT SIDE	LENGTH	OUTPUT SIDE	LENGTH
BLACK	250 mm	RED	50 mm
WHITE	250 mm	BLUE	50 mm
GREEN	250 mm	Output wire with Terminal: (224-101)	



**Installation Instructions:** Keep proper ventilation around the LED Driver and do not stack any object on it. Also a 10-15 cm clearance must be kept when the adjacent device is a heat source. Do not exceed the declared Hot spot temperature(Tc max) under any circumstances.

Fulham extends a limited warranty only to the original purchaser or to the first user for a period of 3 years from the date of manufacture when properly installed and operated under normal conditions of use. For complete terms and conditions, please reference the Fulham product catalog ([www.fulham.com](http://www.fulham.com))  
**Due to a program of continuous improvement, Fulham reserves the right to make modifications or variations in design or construction to the equipment described. © Fulham Company Limited, All Rights Reserved.**