

Description: 35W Constant Current LED Driver, Single Channel, 36-50V, 0.7A (Non Dimmable)

This Driver Will Operate The Following LED Modules:

Any LED module designed to accept 700mA and a voltage of 36-50VDC.

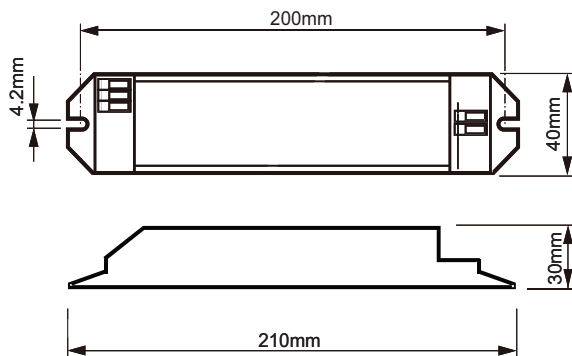
ELECTRICAL DATA

RATED INPUT VOLTAGE	240 Vac
OPERATING INPUT VOLTAGE RANGE	70Vac~277Vac, 50Hz
OPTIMUM PERFORMANCE INPUT VOLTAGE RANGE	180Vac~277Vac, 50Hz
INPUT CURRENT (MAX)	0.18A
POWER FACTOR	0.98
Athd	10%
EFFICIENCY	86%
INPUT POWER (MAX)	41W
OUTPUT TYPE	Constant Current
OUTPUT CURRENT	700mA
OUTPUT VOLTAGE	36~50 Vdc
OUTPUT POWER	35W
NUMBER OF OUTPUT CHANNELS	1
EMI	N.A.
DIMMING CONTROLLER TYPE	N.A.
DIMMING RANGE	N.A.
MAX. CASE HOT SPOT TEMPERATURE (Tc MAX.)	75°C
OPERATING TEMPERATURE	-25°C to 50°C
APPROVALS CLASS (CONFORMING TO)	SELV Equivalent, IP20
HOT PLUG-IN	YES
CASE MATERIAL	PLASTIC (PC)
WEIGHT	0.24 KG

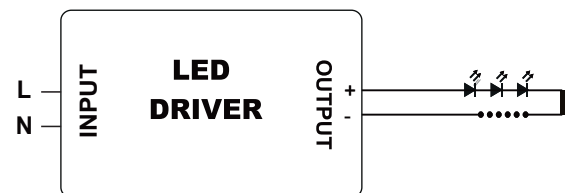
CIRCUIT PROTECTION

SURGE PROTECTION	: Line-Neutral 4kV DM
INPUT OVER CURRENT PROTECTION	: NON-RESETTABLE
INPUT OVER VOLTAGE	: APPLICATION @ 320VAC 48Hrs. & @ 360VAC 2Hrs.
INPUT UNDER VOLTAGE	: N.A.
OUTPUT SHORT CIRCUIT PROTECTION	: AUTORECOVERY (HICCUP MODE)
OUTPUT OPEN CIRCUIT PROTECTION	: AUTORECOVERY (HICCUP MODE)
OUTPUT TO GROUND SHORT PROTECTION	: AUTORECOVERY (HICCUP MODE)
OUTPUT OVERLOAD PROTECTION	: AUTORECOVERY (HICCUP MODE)
OVER TEMPERATURE PROTECTION	: N.A.

Note: All performance specified at Rated voltage and full load. Output current tolerance: ±5%

MECHANICAL DATA

WIRING DIAGRAMS

INPUT SIDE	LENGTH	OUTPUT SIDE	LENGTH
BLACK	N.A.	RED	N.A.
WHITE	N.A.	BLUE	N.A.
GREEN	N.A.	Output wire with Terminal: N. A.	


Installation Instructions: Keep proper ventilation around the LED Driver and do not stack any object on it. Also a 10-15 cm clearance must be kept when the adjacent device is a heat source. Do not exceed the declared Hot spot temperature(Tc max) under any circumstances.

 Fulham extends a limited warranty only to the original purchaser or to the first user for a period of 3 years from the date of manufacture when properly installed and operated under normal conditions of use. For complete terms and conditions, please reference the Fulham product catalog (www.fulham.com)
Due to a program of continuous improvement, Fulham reserves the right to make modifications or variations in design or construction to the equipment described. © Fulham Company Limited, All Rights Reserved.