

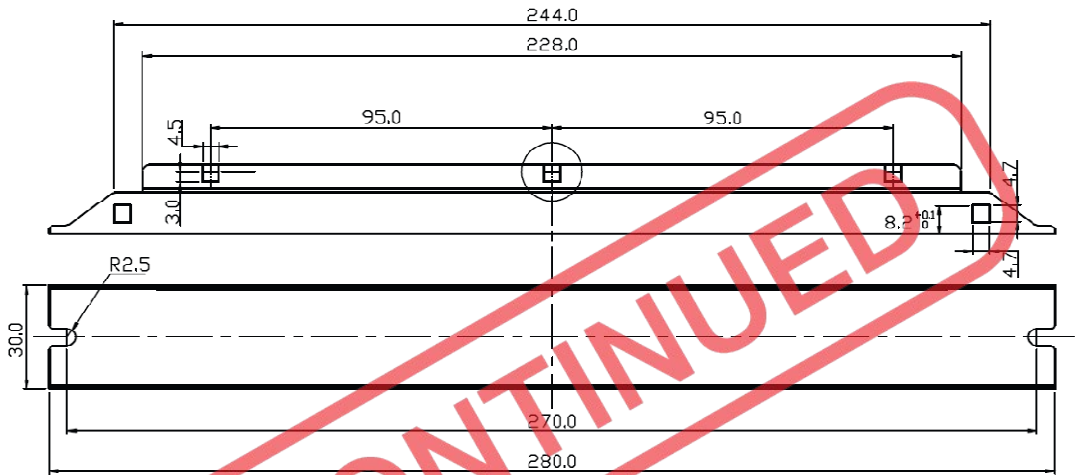


SPECIFICATION SHEET:- RHA-240-254-LT5-OAD  
Designed and Manufactured by Fulham India

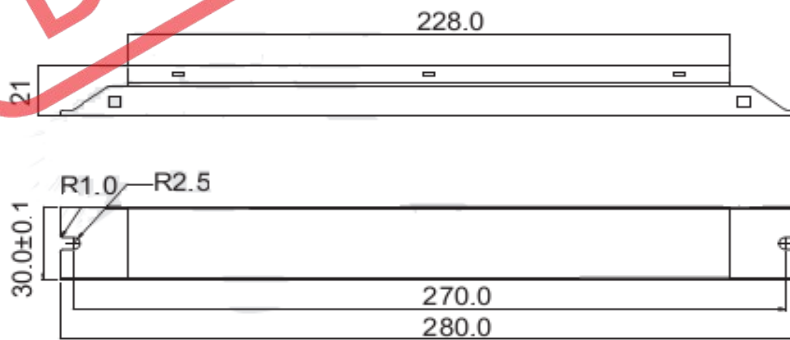
**Description:-**

RaceHorse 220-240V Series, Electronic Ballasts, Programmed Preheat-Start, Cut-Off Technology,  
High Power Factor due to Active Power Factor Control (APFC) Technology.

**Photograph:-**



**Mechanical Data:-**



Fulham extends a limited warranty only to the original purchaser or to the first user for a period of 2 years from the date of manufacture when properly installed and operated under normal conditions of use. For complete terms and conditions, please reference the Fulham product catalog ([www.fulham.com](http://www.fulham.com))  
Due to a program of continuous improvement, Fulham reserves the right to make modifications or variations in design or construction to the equipment described. © Fulham Company Limited, All Rights Reserved.

DOC NUMBER :-FULTDS039  
REV :-1.1  
Date :-01.04.2013



**Specification sheet  
RHA-240-254-LT5-OAD**

Parameters	
Input Voltage [V]	220 - 240
Power Line Frequency [Hz]	0/ 50...60
Input Voltage Range [V]	(-10%) 198 - 264 (+10%)
DC-Voltage Range [V]	198 -264
Overvoltage Consistency [V AC]	Yes, 48Hrs @300vac
Maximum Line Current [A]	a): 0,53 b): 0,50 c): 0,50
Input Wattage (Lamp+Ballast) [W]	a): 117 b): 110 c): 110
Input Power Factor (PF) [ ]	a): 0.99
Line Current Harmonics (THD) [%]	<5
Lamp Designation System	
a) Numbers / Lamp Types Operated	2 X T5 54W
b) Numbers / Lamp Types Operated	2 X T8 58W
c) Numbers / Lamp Types Operated	2 X TC-L 55W
d) Numbers / Lamp Types Operated	
e) Numbers / Lamp Types Operated	
Dimmable	<input type="checkbox"/> Yes <input checked="" type="checkbox"/> No
Lamp Operating Frequency [KHz]	> 40
Ignition Method (PH, RS or IS)	<input checked="" type="checkbox"/> PH <input type="checkbox"/> RS <input type="checkbox"/> IS
Preheat Time [S]	0.4 < PT < 1.5
Automatic restart after lamp replacement	<input checked="" type="checkbox"/> Yes <input type="checkbox"/> No
End Of Life (EOL) Protection	<input checked="" type="checkbox"/> Yes <input type="checkbox"/> No
Suitable for luminaires with protection class	<input checked="" type="checkbox"/> I <input checked="" type="checkbox"/> II
Master Carton Quantity	50
Label	<input checked="" type="checkbox"/> Fulham <input type="checkbox"/> Private
Weight [gm]	220
Weight of the Carton [gm]	11,000
Case Dimensions-Length with Mount [mm]	L 280
Case Dimensions-Length w/o Mount [mm]	L 280
Case Dimensions-Length betw. mounting holes [mm]	L 270
Case Dimensions-Width [mm]	W 30
Case Dimensions-Height [mm]	H 21 (super slim)
Case Material	Metal
Permissible cable lengths --- Hot wires [mtr]	1
Permissible cable lengths --- Cold wires [mtr]	2
EEL Classification	EEL = A2 BAT
Safety (Conforming to)	EN 61347-2-3
EMC Immunity (Conforming to)	EN 61547
Harmonic Content (Conforming to)	EN 61000-3-2
Performance (Conforming to)	EN 60929
Approval Mark	
Max. Case Hot Spot Temperature [°C]	80
Min. Ambient Temperature [°C]	-25
Max. Ambient Temperature [°C]	55
Min. Storage Temperature [°C]	-40
Max. Storage Temperature [°C]	85

Note:-Over Voltage Shutdown @ 320Vac & Auto recovery upto 300Vac.(No need to switchoff the Mains)

Fulham extends a limited warranty only to the original purchaser or to the first user for a period of 2 years from the date of manufacture when properly installed and operated under normal conditions of use. For complete terms and conditions, please reference the Fulham product catalog ([www.fulham.com](http://www.fulham.com))  
Due to a program of continuous improvement, Fulham reserves the right to make modifications or variations in design or construction to the equipment described. © Fulham Company Limited, All Rights Reserved.

DOC NUMBER :-FULTDS039  
REV :-1.1  
Date :-01.04.2013