



TECHNICAL DATA SHEET : ELECTRONIC BALLAST

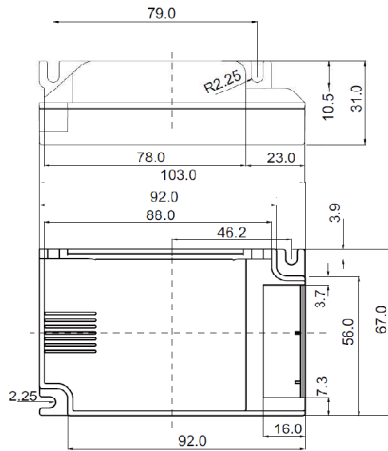
Project : STANDARD

Type : PROFESSIONAL

Model No : HPY-240-226-YCF-OAF

Remark :

Model : 2 x 26W BALLAST



Input Characteristics

1	Voltage (Un)	240 Vac
2	Operating Voltage Range	140 ~ 277 Vac
3	Frequency (Hz)	50 / 60 Hz
4	Current (A)	0.25A
5	Wattage (W)	58W
6	Power Factor (PF)	> 0.98 (PPFC)
7	Current Harmonics (Athd)	< 10%
8	Over Current Protection	Yes
9	Surge Withstanding Capacity	Yes
10	Over Voltage Application	@ 320Vac 48Hrs & @ 360Vac 2 Hrs

Output Characteristics

1	Lamp Types	CFL 26W D/E & T/E
2	Number of Lamps	2
3	Lamp Connection	Dual Series
4	Single Lamp Operation	No
5	Lamp Current	0.300A
6	Operating Frequency	≥ 40 KHz
7	Ignition Method	RS

Ballast Characteristics

1	Lamp Current Crest Factor (CCF)	< 1.8
2	Ballast Efficiency (BE)	≥ 86%

Protection Features

1	Deactivated Lamp	Yes
2	Restart or Latching	Latching

Environmental Operating Details

1	Minimum Lamp Starting Temperature	0°C
2	Max. Ambient Temperature	50°C
3	Max. Case Temperature (Tc)	75°C

Ordering Information

Sr	Model Number	Description	Case Lot
1	HPY-240-226-YCF-OAF	2x26W CFL<10% THD	50

Mechanical Details

1	Weight	120 gm
2	Case Dimensions	
	Length W/Mount	103 mm
	Center to Center (CTC)	113 mm
	Width	67 mm
	Height	31 mm
3	Case Material	ABS
4	Wiring Diagram	On Screen
5	Input / Output Connections	Connectors Push Type
6	Wires Length & Colors	
	Input (White & Black)	N/A
	Output (White)	N/A
	Output (Gray)	N/A
7	Potting	N/A

Notes

A High power factor Electronic ballast specially designed for heavy duty use.

Key features :-

- Compact & Attractive Housing.
- High Efficiency.
- High Voltage withstanding capacity.
- High Surge withstanding capacity
- Long Life.
- High Durability
- Lamp will not Shut down @ high Voltage
- Automatic restart after lamp replacement

Fulham extends a limited warranty only to the original purchaser or to the first user for a period of 1 years from the date of manufacture when properly installed and operated under normal conditions of use. For complete terms and conditions, please reference the Fulham product catalog (www.fulham.com)

Due to a program of continuous improvement, Fulham reserves the right to make modifications or variations in design or construction to the equipment described. © Fulham Company Limited, All Rights Reserved.

DOC NUMBER :-FULTDS021
REV :-1.2
Date :-01.04.2013