



SELECTION
GUIDE

Table of Contents

EMERGENCY BALLASTS 5 - 10

- FH1-DUAL-750CFL..... 6
- FH3-DUAL-450L 6
- FH4-DUAL-700L..... 6
- FH5-DUAL-1400L 6
- FH6-DUAL-3000L 6
- FH7-DUAL-500L7
- FH8-DUAL-1300L.....7
- FH9-DUAL-800L7
- HOTSPOT1..... 8
- HOTSPOT2 9
- FIREHORSE SPECIFICATIONS.....10

EMERGENCY LIGHTING 11 - 17

- LED MINI FHEM10 12
- GENERAL PURPOSE FHEM11 13
- FIXED OPTICS FHEM13 14
- HEAVY DUTY FHEM14..... 15
- WET LOCATION FHEM15 16
- REMOTE HEADS..... 17

EXIT LIGHTING 19 - 28

- MINI LED FHEX20..... 20
- THIN PROFILE LED FHEX21 21
- DIE-CAST ALUMINUM LED FHEX22 22
- ARCHITECTURAL RECESSED EDGE-LIT FHEX23.....23

- ARCHITECTURAL LED EDGE LIT FHEX24 24
- WET LOCATION LED FHEX2525
- MINI COMBINATION LED EXIT/EMERGENCY FHEC30 26
- THERMOPLASTIC LED COMBINATION EXIT/EMERGENCY FHEC3127
- WET LOCATION LED COMBINATION EXIT/EMERGENCY FHEC32 28

NEW YORK CITY APPROVED PRODUCTS 29 - 35

- NEW YORK CITY APPROVED EMERGENCY LIGHT FHNY10..... 30
- NEW YORK CITY APPROVED HEAVY-DUTY LED EXIT SIGN FHNY20 31
- NEW YORK CITY APPROVED ALUMINUM DIE-CAST LED EXIT SIGN FHNY2132
- NEW YORK CITY APPROVED RECESSED EDGE-LIT EXIT SIGN FHNY22.....33
- NEW YORK CITY APPROVED SURFACE-MOUNTED EDGE-LIT EXIT SIGN FHNY23..... 34
- NEW YORK CITY APPROVED HEAVY-DUTY COMBINATION UNIT FHNY30.....35

CHICAGO APPROVED PRODUCTS 37 - 39

- CHICAGO APPROVED EMERGENCY LIGHT FHCH1038
- CHICAGO APPROVED EXIT SIGN FHCH20 39

PHOTOLUMINESCENT EXITS 41 - 45

- PHOTOLUMINESCENT EXITS 50' VISIBILITY 42 - 43
- PHOTOLUMINESCENT EXITS 75' VISIBILITY..... 44
- PHOTOLUMINESCENT EXITS 100' VISIBILITY 45

ACCESSORIES47 - 49

QUICK-REFERENCE SYMBOLS



UL meets UL924 - N.E.C. and LSC minimal emergency operational standards; local fire and safety codes are primary consideration for model selection. Firehorse Emergency Exit Products provide a wide range of models to meet all national and most local fire and safety codes. It is recommended to review your local codes when selecting a Firehorse Emergency Exit Product. Selected models ETL listed only.



Damp Location Rated for indoor locations where fixtures are not exposed to direct contact with water or washdown conditions.



Wet Location Rated for locations where fixtures are exposed to water and washdown conditions.



LED light source (Red and Green) is available with a wide range of Firehorse Emergency Lighting Exit Products for long life and low power consumption. Selected models now available with all White LED light source for ultra-bright performance and reduced inventory requirements.



RC provides the capability for remote emergency lighting heads to be operated with the FireHorse emergency fixture; A broad range of head type, wattage, and applications are available for models with this capability.

Self-Test/Diagnostic Operation



The SELF TESTING feature included in the circuitry tests the fixture every 30 days for 15 minutes and once every 12 months for a full 90 minute discharge test, simulating a maximum use power failure. After each test, it recharges the battery automatically and returns to normal operating mode. Any problems found during or after the test are reported through the user interface.

This SELF TESTING actually helps prolong the life of the batteries by keeping them exercised and fresh. Without the ST feature, the battery can remain idle for long periods of time, only being used in an actual power failure and thereby depleting their ability to hold and maintain a proper charge.

Self-Test/Diagnostic Advance Features:

- Exercises batteries automatically and prolongs battery life
- User interface signals exact nature of any malfunction
- Runs a 15-minute test every 30 days
- Runs a 90-minute test once a year

Self-Test/Diagnostic option is available on selected FireHorse models by specifying suffix "ST"

Look for the symbol throughout the catalog or consult the factory.

How To Order:

Model Designation + Selected Option Code(s) Listed in Bold

(Product Listing From Catalog)

FHEM11

STANDARD FEATURES:

- Push-to-test Switch
- Automatic Low Voltage Disconnect (LVD)
- LED Charge Indicator
- 6 Volt Sealed Lead Maintenance-Free Battery
- Dual Voltage 120V/277V

DIMENSIONS:

16" (width), 5" (height), 11.75" (depth)

ADVANCED FEATURES:

- Low Profile Thermo-Plastic Housing
- Universal Mounting Plate
- Damp Location Rated
- Ni-Cad Battery Option
- Cord With Plug Option
- Self-Test Diagnostic Option

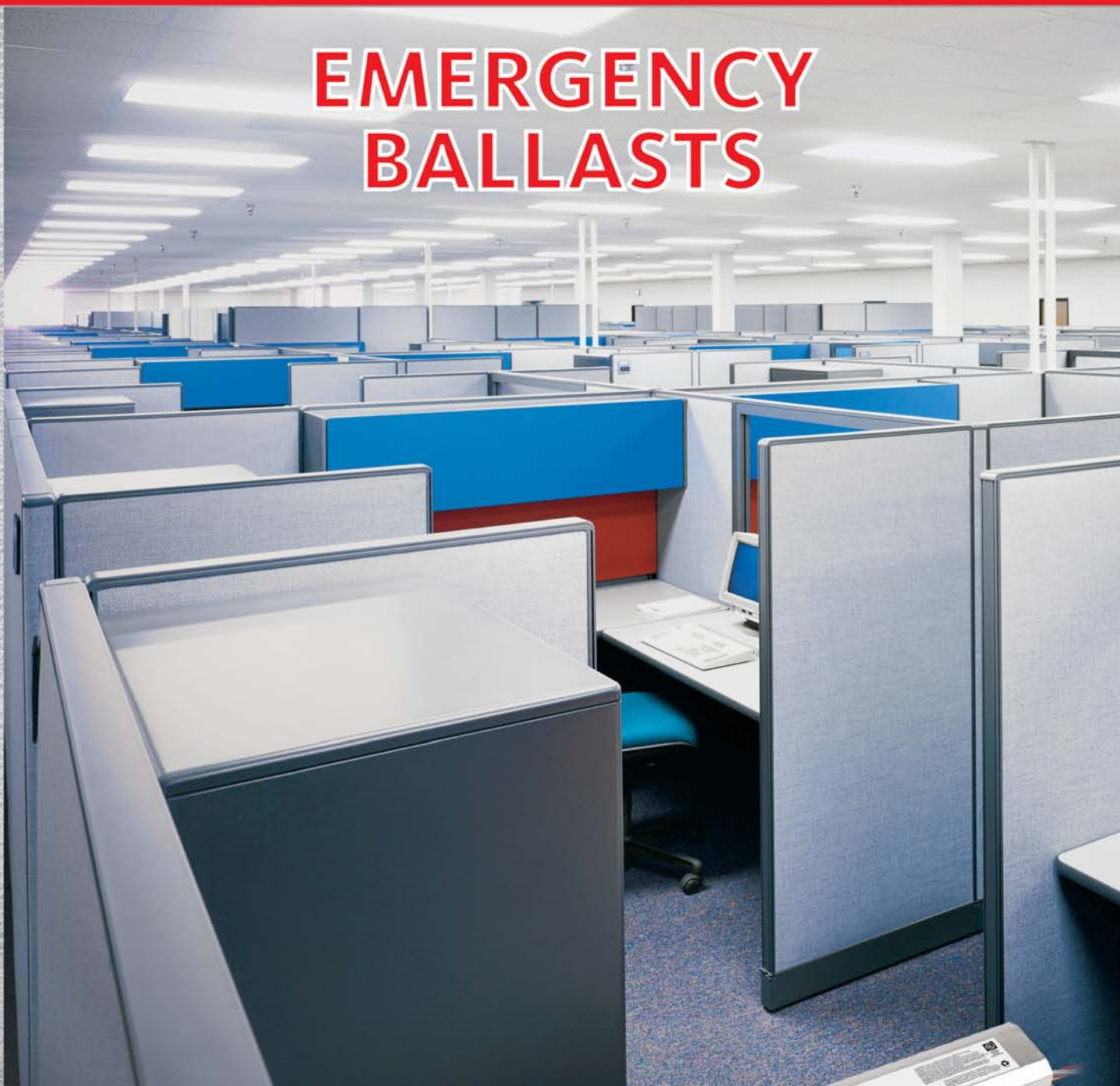
Example model number:

FHEM11-W-H-SD

FHEM11 MODEL WITH WHITE CASE COLOR, HI LUMEN REFLECTOR AND SELF DIAGNOSTIC TEST

SERIES	HOUSING COLOR	OPTIONS
FHEM11	W = White B = Black	H = High Lumen Reflector SD = Self-Diagnostic RC = Remote Capable

EMERGENCY BALLASTS



FireHorse UL-listed damp location rated emergency ballasts provide 90 minutes of emergency lighting and are fully operational with or without an AC ballast. FireHorse models are suitable for factory or field installation with remote mounting. Selected models available with flexible whip connectors and remote test switchplates.

All models include LED test switch, High Temperature Ni-Cad battery and Fulham Full-Value warranty.



FH1-DUAL-750CFL

- INITIAL OUTPUT 750 LUMENS
- ENGINEERED FOR USE WITH A WIDE RANGE OF CFL / U-SHAPE / CIRCLINE / LONG COMPACT AND LINEAR FLUORESCENT LAMPS
- PRE-WIRED WITH DUAL FLEX CONDUIT WHIP
- REMOTE TEST AND LED CHARGE INDICATOR PLATE
- 2-YEAR FULL WARRANTY



FH3-DUAL-450L

- INITIAL OUTPUT 450 LUMENS
- ENGINEERED FOR USE WITH A WIDE RANGE OF CFL / U-SHAPE / CIRCLINE / LONG COMPACT AND LINEAR FLUORESCENT LAMPS
- LED CHARGE INDICATOR AND TEST SWITCH
- 2-YEAR FULL WARRANTY



FH4-DUAL-700L

- INITIAL LUMEN OUTPUT 700 LUMENS
- ENGINEERED FOR USE WITH A WIDE RANGE OF CFL / U-SHAPE / CIRCLINE / LONG COMPACT AND LINEAR FLUORESCENT LAMPS
- LED CHARGE INDICATOR AND TEST SWITCH
- 3-YEAR FULL WARRANTY



FH5-DUAL-1400L

- INITIAL OUTPUT 1400 LUMENS
- ENGINEERED FOR USE WITH A WIDE RANGE OF CFL / U-SHAPE / CIRCLINE / LONG COMPACT AND LINEAR FLUORESCENT LAMPS
- LED CHARGE INDICATOR AND TEST SWITCH
- SELECTABLE LIGHT OUTPUT LEADS
- 5-YEAR FULL WARRANTY



FH6-DUAL-3000L

- INITIAL OUTPUT 3000 LUMENS
- ENGINEERED FOR USE WITH A WIDE RANGE OF CFL / U-SHAPE / CIRCLINE / LONG COMPACT AND LINEAR FLUORESCENT LAMPS
- PRE-WIRED WITH SINGLE FLEX CONDUIT WHIP
- LED CHARGE INDICATOR AND TEST SWITCH
- SELECTABLE LIGHT OUTPUT LEADS
- 5-YEAR FULL WARRANTY



FH1-DUAL-750CFL

AC Input: 3.5w
 Charging Current: 280mA Max.
 Battery Voltage: 3.6Vdc
 Battery Rating: 14.4Wh
 Case Size: H 1.5" W 2.4" L 9.4" Ctr 8.9"
 Ballast Weight: 2.8 lbs
 Case Quantity: 1 pc
 Master Carton Quantity: 6 pcs

FH3-DUAL-450L

AC Input: 2.5w
 Charging Current: 280mA Max.
 Battery Voltage: 2.4Vdc
 Battery Rating: 9.6Wh
 Case Size: H 1.5" W 2.4" L 9.4" Ctr 8.9"
 Ballast Weight: 2.5 lbs
 Case Quantity: 1 pc
 Master Carton Quantity: 6 pcs

FH4-DUAL-700L

AC Input: 3.5w
 Charging Current: 280mA Max.
 Battery Voltage: 3.6Vdc
 Battery Rating: 14.4Wh
 Case Size: H 1.5" W 2.4" L 9.4" Ctr 8.9"
 Ballast Weight: 2.8 lbs
 Case Quantity: 1 pc
 Master Carton Quantity: 6 pcs

FH5-DUAL-1400L

AC Input: 3.5w
 Charging Current: 280mA Max.
 Battery Voltage: 6.0Vdc
 Battery Rating: 24.0Wh
 Case Size: H 1.5" W 2.4" L 13.3" Ctr 12.1"
 Ballast Weight: 3.4 lbs
 Case Quantity: 1 pc
 Master Carton Quantity: 6 pcs

FH6-DUAL-3000L

AC Input: 8.0w
 Charging Current: 280mA Max.
 Battery Voltage: 14.4Vdc
 Battery Rating: 57.6Wh
 Case Size: H 1.7" W 5.5" L 16.3" Ctr 15.1"
 Ballast Weight: 9.2 lbs
 Case Quantity: 1 pc
 Master Carton Quantity: 2 pcs

FH7-DUAL-500L

- INITIAL OUTPUT 500 LUMENS
- ENGINEERED FOR USE WITH A WIDE RANGE OF CFL / U-SHAPE / CIRCLINE / LONG COMPACT AND LINEAR FLUORESCENT LAMPS
- LOW PROFILE DESIGN FOR INTEGRAL MOUNTING
- OPTIMAL LIGHT OUTPUT LAMP LEADS
- SINGLE MOUNT LED CHARGE INDICATOR TEST SWITCH
- 5-YEAR FULL WARRANTY



FH8-DUAL-1300L

- INITIAL OUTPUT 1300 LUMENS
- ENGINEERED FOR USE WITH LINEAR FLUORESCENT AND LONG CFL LAMPS
- LOW PROFILE DESIGN FOR INTEGRAL MOUNTING
- SINGLE MOUNT LED CHARGE INDICATOR TEST SWITCH
- HIGH QUALITY RECHARGABLE NI-CAD BATTERY
- 5-YEAR FULL WARRANTY



FH9-DUAL-800L

- INITIAL OUTPUT 800 LUMENS
- ENGINEERED FOR USE WITH LINEAR FLUORESCENT AND LONG CFL LAMPS
- LOW PROFILE DESIGN FOR INTEGRAL MOUNTING
- SINGLE MOUNT LED CHARGE INDICATOR TEST SWITCH
- HIGH QUALITY RECHARGABLE NI-CAD BATTERY
- 5-YEAR FULL WARRANTY



FH10-DUAL-500L

- INITIAL OUTPUT 500 LUMENS
- ENGINEERED FOR USE WITH LINEAR FLUORESCENT AND LONG CFL LAMPS
- LOW PROFILE DESIGN FOR INTEGRAL MOUNTING
- SINGLE MOUNT LED CHARGE INDICATOR TEST SWITCH
- HIGH QUALITY RECHARGABLE NI-CAD BATTERY
- 5-YEAR FULL WARRANTY



FH7-DUAL-500L

EOL Time Delay Function
 AC Input: 2.5w
 Charging Current: 280mA Max.
 Battery Voltage: 6.0Vdc
 Battery Rating: 9.0Wh
 Case Size: H 1.125" W 2.25" L 9.8" Ctr 9.125"
 Ballast Weight: 2.3 lbs
 Case Quantity: 1 pc
 Master Carton Quantity: 6 pcs

FH8-DUAL-1300L

EOL Time Delay Function
 AC Input: 2.5w
 Charging Current: 126mA Max.
 Battery Voltage: 8.4Vdc
 Battery Rating: 21.0Wh
 Case Size: H 1.2" W 1.3" L 21.0"
 Ballast Weight: 2.1 lbs
 Case Quantity: 1 pc
 Master Carton Quantity: 6 pcs

FH9-DUAL-800L

EOL Time Delay Function
 AC Input: 2.5w
 Charging Current: 126mA Max.
 Battery Voltage: 6.0Vdc
 Battery Rating: 15.0Wh
 Case Size: H 1.2" W 1.3" L 17.0"
 Ballast Weight: 1.7 lbs
 Case Quantity: 1 pc
 Master Carton Quantity: 6 pcs

FH10-DUAL-500L

EOL Time Delay Function
 AC Input: 2.5w
 Charging Current: 127mA Max.
 Battery Voltage: 3.6Vdc
 Battery Rating: 9.0Wh
 Case Size: H 1.2" W 1.3" L 14.2"
 Ballast Weight: 1.4 lbs
 Case Quantity: 1 pc
 Master Carton Quantity: 6 pcs

LED EMERGENCY LIGHTING SYSTEM

The HotSpot1 LED Emergency Lighting System supplements existing luminaires with a modular driver, LED array and battery pack to provide battery-powered emergency lighting.

- Revolutionary modular design provides extreme versatility
- Superior adaptability
- High Efficiency design
- High Level of Safety Operation and Function
- Low Cost



DRIVER SPECIFICATIONS

MODEL	FHS1-UNV-3.6L
Input Voltage:	120-277VAC
Input Frequency:	50 - 60 Hz
Input Current:	0.07 A
Input Wattage:	4W
No Load Power Loss:	0.5W
Surge Protection:	C62.41 (TVS)
Over Current Protection:	Fuse
Recharge Time:	24 Hrs
Battery Type:	NiCd, 3.6 VDC
Battery Capacities:	3AH, 4AH, 7AH
Illumination Time:	90 - 240 Min.
LED Types:	1 to 5W
LED Currents:	350 mA - 1,500 mA
Total LED Power:	10W
LED Connection :	Parallel
LED Output Protection:	Self Resetting PTC
Output Classification:	UL1310/Class 2

BATTERY PACKS

MODEL	
FHSBATT3-C3	3 C cell batteries - 3 Amp Hours
FHSBATT3-D3	3 D cell batteries - 4 Amp Hours
FHSBATT3-F7	3 F cell batteries - 7 Amp Hours

LED MODULES



LINEAR FHS1-AR-4W-L

- Wall Sconce
- Ceiling Flush Mount
- Low Level Lighting



CIRCULAR FHS2-AR-4W-C

- Circular
- Down Light
- Wall Sconce



CLUSTER FHS5-AR-6W-C

- Circular Lamp Application



H-CONFIG FHS3-AR-10W-SH (SMALL-H) FHS4-AR-10W-LH (LARGE-H)

- Wall Sconce
- Ceiling Flush Mount

LED EMERGENCY LIGHTING SYSTEM

The HotSpotz LED Emergency Lighting System provides a LED driver and battery pack to convert an existing LED fixture into a battery-powered emergency light.

- Revolutionary modular design provides extreme versatility
- Superior adaptability
- High Efficiency design
- High Level of Safety Operation and Function
- Low Cost



DRIVER SPECIFICATIONS

MODEL	FHS2-UNV-36L
Input Voltage:	120-277VAC
Frequency:	50 - 60 Hz
Input Current:	0.07 A
Input Wattage:	4W
No Load Power Loss:	0.5W
Surge Protection:	C62.41 (MOV)
Over Current Protection:	FUSE
Recharge Time:	48 Hrs
Connection:	Series
LED Output Protection:	Self Resetting PTC
Output Classification:	UL1310/Class 2
Battery Type	LiFePo4, NiCd, 9.6 VDC
Battery Capacities:	.9Ah, 1Ah, 1.2Ah, 1.5Ah, 1.8Ah, 3Ah, 4Ah, 6Ah
Illumination Time:	90 - 350 Min.
LED Types:	1W to 2W
LED Currents:	350 mA - 700 mA
Total LED Power:	20W

BATTERY PACKS

MODEL	Dimensions	Chemistry	Capacity	Battery Count	Max Load for 90 min.	Recharge Time
FHSBATT8-AA.9	3.95" x 2.3" x 0.6"	NiCd	900mAh	8 Cells	4W	24Hrs
FHSBATT8-C3	8.12" x 2.09" x 1.02"	NiCd	3000mAh	8 Cells	16W	32Hrs
FHSBATT8-D4	10.32" x 2.48" x 1.30"	NiCd	4000mAh	8 Cells	20W	32Hrs
FHSBATL3-1	2.17" x 1.97" x 0.71"	LiFePo4	1000mAh	3 Cells	4W	24Hrs
FHSBATL3-1.5	2.17" x 2.56" x 0.71"	LiFePo4	1500mAh	3 Cells	8W	24Hrs
FHSBATL3-3	3.15" x 2.56" x 1.02"	LiFePo4	3000mAh	3 Cells	16W	32Hrs
FHSBATL6-1.5	4.33" x 2.56" x 0.71"	LiFePo4	3000mAh	6 Cells	16W	32Hrs
FHSBATL6-3	6.23" x 2.56" x 1.02"	LiFePo4	6000mAh	6 Cells	20W	48Hrs
FHSBATL6-.6	3.93" x 1.77" x 0.71"	LiFePo4	1200mAh	6 Cells	6W	24Hrs
FHSBATL9-.6	5.91" x 1.77" x 0.71"	LiFePo4	1800mAh	9 Cells	10W	24Hrs



SPECIFICATIONS COMMON TO ALL FIREHORSE EMERGENCY BALLASTS

OPERATING VOLTAGE	120V OR 277V	BALLAST COMPATIBILITY	ELECTRONIC / ENERGY SAVINGS
FREQUENCY	60Hz	SPECIAL BALLAST COMPATIBILITY	ELECTRONIC DIMMING TYPE
LISTING	EMERGENCY	LAMP COMPATIBILITY	FLUORESCENT TYPE
ALTERNATE LISTING	INVERTER / CHARGER PACK	FIXTURE WIRING	SWITCHED OR UNSWITCHED
REGULATORY APPROVAL	UL	INSTALLATION	FACTORY OR FIELD
REGULATORY COMPLIANCE	MEETS OR EXCEEDS N.E.C./LSC	REMOTE MOUNTING	SEE INSTALLATION INSTRUCTIONS
LOCATION RATING	DAMP	BATTERY TYPE	LONG LIFE RECHARGABLE NI-CAD
OPERATING TEMP RANGE (EXCEPT FH7)	0°C - 50°C	MINIMUM EMERGENCY OPERATION	90 MINUTES
OPERATING TEMP RANGE FH7	20°C to 55°C	MINIMUM CHARGING OPERATION	24 HOURS
TEST SWITCH	SINGLE POLE	CASE CONSTRUCTION	VANDAL RESISTANT PAINTED STEEL
TEST INDICATOR	LED TYPE	CASE CONSTRUCTION FH8-FH9-FH10	VANDAL RESISTANT GALVANIZED STEEL

FIREHORSE MODEL	FH1	FH3	FH4	FH5	FH6	FH7	FH8	FH9	FH10
LUMEN OUTPUT	750	450	700	1400	3000	500	1300	800	500
CFT/CFQ/CFTR - 4 PIN									
9W - 32W	1 or 2	1	1 or 2	1 or 2	1 or 2	1			
42W	1	1	1	1	1 or 2	1			
57W - 70W				1	1				
FT/CFM/FQL - 4 PIN									
9W - 18W	1 or 2	1	1 or 2	1 or 2	1 or 2	1	1	1	
24W - 39W	1 or 2	1	1	1 or 2	1 or 2	1	1	1	
40W	1	1	1	1	1	1	1	1	
50W - 55W			1	1	1		1	1	
CIRCULAR - FCRT5									
15W - 30W	1	1	1	1	1	1			
40W	1	1	1	1	1	1			
55W			1	1	1				
CIRCULAR - FCRT9									
20W - 32W	1	1	1	1	1	1			
40W	1	1	1	1	1	1			
2D/4P									
10W - 28W	1 or 2	1	1	1 or 2	1 or 2	1			
38W - 39W	1 or 2	1	1	1 or 2	1 or 2	1			
T5 LOW WATTAGE									
F4 - F13	1	1	1	1	1	1	1	1	1
T5 STANDARD									
F14 - F21	1	1	1	1	1	1	1	1	1
F28						1	1	1	1
F35						1	1	1	1
T5 HIGH OUTPUT									
F24 - F39					1		1	1	
F54					1		1	1	
T8 STANDARD (Includes U-Bent)									
F13 - F25	1 or 2	1	1 or 2	1 or 2	1 or 2	1	1	1	1
F28	1	1	1 or 2	1 or 2	1 or 2	1	1	1	1
F30 - F32		1	1 or 2	1 or 2	1 or 2	1	1	1	
F35 - F40		1	1	1	1	1	1	1	
F58 - F72			1	1	1				
T8 HIGH OUTPUT									
F44			1	1	1				
F55 - F86			1	1	1				
T12/T10 STANDARD (Includes U-Bent)									
F14 - F25	1 or 2	1	1 or 2	1 or 2	1 or 2	1	1	1	
F30 - F40		1	1 or 2	1 or 2	1 or 2	1	1	1	
F50 - F75			1	1	1				
T12 HIGH OUTPUT									
F25 - F48			1	1	1				
F55 - F96			1	1	1				
F100 - F110			1	1	1				
T12/T10 VERY HIGH OUTPUT									
F110			1	1	1				
F115 - F215				1	1				

EMERGENCY LIGHTING



FireHorse UL listed damp and wet location rated emergency fixtures provide emergency lighting for a minimum of 90 minutes.

FireHorse models include a wide range of standard and architectural case styles, mounting options, and unique Chicago and New York City approved models.

Selected models offer Self Test Diagnostics and remote head capability. FireHorse Emergency Lighting products are backed by a 5-Year Fulham warranty.



FHEM10

LED MINI-EMERGENCY LIGHTING UNIT

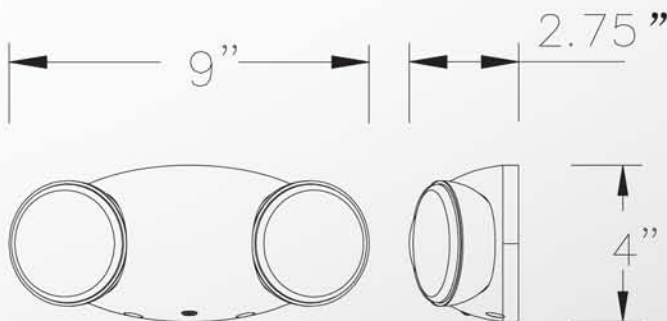
Low profile, thermoplastic emergency lighting unit with adjustable LED lamp heads.

- Injection-molded, high impact, UV-stablized, UL 94 V-0 thermoplastic housing
- Snap-together construction speeds installation
- Energy-saving LED lamp source has expected life of 10 years
- Fully adjustable, glare-free lamp heads
- Maintenance-free sealed nickel cadmium battery provides 90 minutes of emergency operation
- Dual-voltage input 120V/277V
- UL 924 listed
- Damp Location listed
- NEC



ORDERING INFORMATION

SERIES	HOUSING COLOR
FHEM10	W = White B = Black



GENERAL PURPOSE EMERGENCY LIGHT

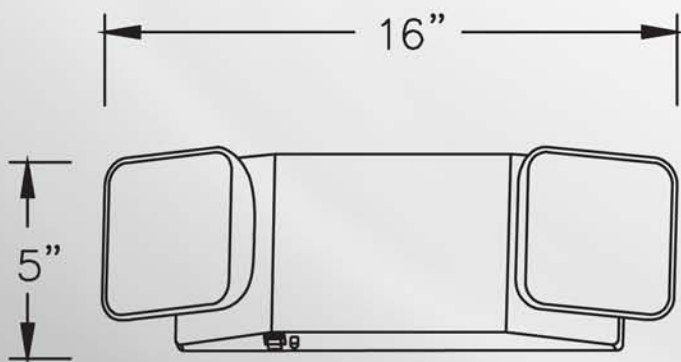
Contemporary, low profile, quick-installing emergency light with fully adjustable heads in an economical package.

- Injection-molded, high impact, UV-stabilized, UL 94 V-0 thermoplastic housing
- Snap-together construction speeds installation
- Fully adjustable, glare-free lighting heads
- Two 5.4W DC T5 wedge-base lamps
- Dual-voltage input 120V/277V
- Test switch, status indicator and maintenance-free sealed lead-acid battery
- 90 minutes of emergency operation
- Self Diagnostic option continually monitors critical functions including: battery disconnect, battery/charger failure and lamp failure. Performs one-minute self-test every 30 days, a 30-minute test every 6 months and a 90-minute annual test.
- Remote Capable option
- Hi Lumen Reflector option
- UL 924 listed
- Damp Location listed
- NEC



ORDERING INFORMATION

SERIES	HOUSING COLOR	OPTIONS
FHEM11	W = White B = Black	H = High Lumen Reflector SD = Self-Diagnostic RC = Remote Capable



FHEM13

FIXED OPTICS EMERGENCY LIGHT

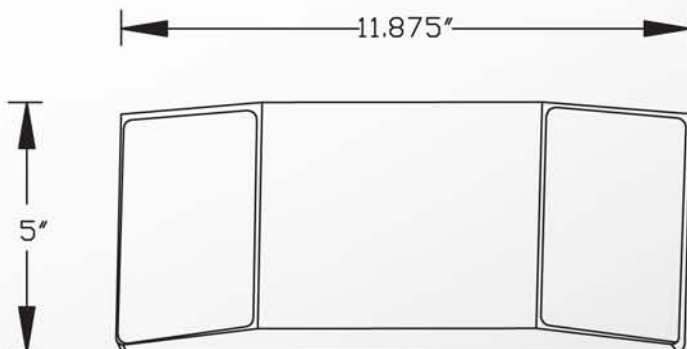
Low profile, compact emergency light with fixed optics provides a consistent, predictable aiming pattern for wall or ceiling mounting.

- Injection-molded, high impact, UV-stabilized, UL 94 V-0 thermoplastic housing
- Snap-together construction speeds installation
- Fixed optics prismatic lenses direct light along typical path of egress
- Two 5.4W DC T5 wedge-base lamps for emergency light
- Dual-voltage input 120V/277V
- Maintenance-free sealed lead acid battery provides 90 minutes of emergency operation
- UL 924 listed
- ADA compliant
- NEC



ORDERING INFORMATION

SERIES	HOUSING COLOR
FHEM13	W = White B = Black



HEAVY DUTY EMERGENCY LIGHT

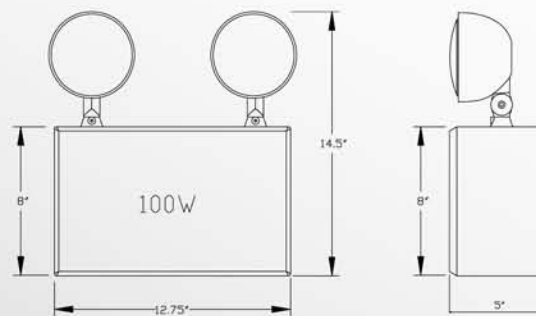
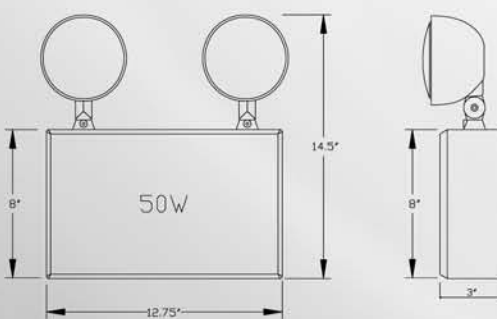
High Capacity units are designed with larger batteries to operate additional remote lamp heads or extended emergency operation. 12 Volt units are ideal for operating remote lamps with long runs, minimizing voltage drop issues.

- Heavy-duty thermoplastic housing
- 6 volt and 12 volt units available in 50-100 watt capacities
- Fully adjustable, glare-free Par 36 lamp heads
- Dual-voltage input 120V/277V
- Test switch, status indicator and maintenance-free sealed lead-acid battery
- 90 minutes of emergency operation
- UL 924 listed
- NEC



ORDERING INFORMATION

SERIES	VOLTAGE	OUTPUT	LAMP WATTAGE
FHEM141250	12V	50W	2 x 9W
FHEM1412100	12V	100W	2 x 9W
FHEM14650	6V	50W	2 x 7.2W
FHEM146100	6V	100W	2 x 7.2W



FHEM15

WET LOCATION EMERGENCY LIGHT

Rugged, sealed and gasketed emergency units are ideal for wet or corrosive environments, providing resistance to dust, hose-downs, water spray and splashing water.

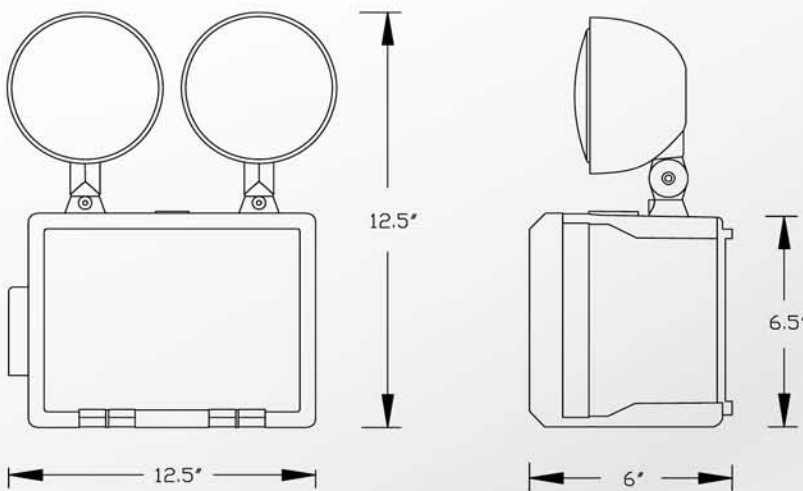
- Constructed of heavy-duty, corrosion-resistant grey fiberglass material
- Fully adjustable 6V, 7.2 watt PAR 36 lamp heads are sealed and gasketed
- Maintenance-free, 6V sealed lead acid battery provides 90 minutes of emergency operation
- Dual voltage input 120/277V
- UL wet location listed
- Remote capable standard



ORDERING INFORMATION

SERIES

FHEM15



REMOTE HEADS



- Single and double remote lamp heads for indoor and outdoor applications
- Weather-proof versions are sealed for use in damp and wet location areas
- Lamp heads are fully adjustable

MODEL NUMBER	SPECIFICATIONS		
	Heads #	Voltage	Watts Per Head
FHEM14-RH1-6V5	1	6V	5.4
FHEM14RH1-6V9	1	6V	9.0
FHEM14RH2-6V5	2	6V	5.4
FHEM14-RH2-6V9	2	6V	9.0
FHEM14-RH1-12V7	1	12V	7.2
FHEM14-RH1-12V12	1	12V	12.0
FHEM14-RH2-12V7	2	12V	7.2
FHEM14-RH2-12V12	2	12V	12.0



Outdoor Wet Location Rated

MODEL NUMBER	SPECIFICATIONS		
	Heads #	Voltage	Watts Per Head
FHEM15-RH1-6V7	1	6V	7.2
FHEM15-RH2-6V7	2	6V	7.2



MODEL NUMBER	SPECIFICATIONS		
	Heads #	Voltage	Watts Per Head
FHEM11-RH1-6V5	1	6V	5.4
FHEM11-RH1-6V9	1	6V	9.0
FHEM11-RH2-6V5	2	6V	5.4
FHEM11-RH2-6V9	2	6V	9.0
FHEM11-RH1-12V7	1	12V	7.2
FHEM11-RH1-12V12	1	12V	12.0
FHEM11-RH2-12V7	2	12V	7.2
FHEM11-RH2-12V12	2	12V	12.0



EXIT LIGHTING



FireHorse UL listed damp and wet location rated emergency combination and exit sign fixtures provide emergency lighting for a minimum of 90 minutes on selected models.

FireHorse models include a wide range of standard and architectural case styles, mounting options and unique Chicago and New York City approved models.

Selected models available with Self Test Diagnostics, remote head capability and all White Light LEDs. FireHorse Emergency Lighting products are backed by a 5-Year Fulham warranty.



FHEX20

MINI- LED EXIT SIGN

Slim profile thermoplastic LED exit sign offers long lamp life, energy efficiency and uniform illumination in an economical package.

- Injection-molded, high impact, UV-stablized, UL 94 V-0 thermoplastic housing includes extra faceplate for single or double-face application
- Universal mounting plate and canopy for top, back or end-mounting
- Snap-together construction speeds installation
- Universal chevrons are easily snapped out/in for directional indication
- Energy-saving LED lamp source on exit sign has expected life of 10 years
- Maintenance-free sealed nickel cadmium battery provides 90 minutes of emergency operation (EM)
- Dual-voltage input 120V/277V
- UL 924 listed
- Damp location listed
- NEC

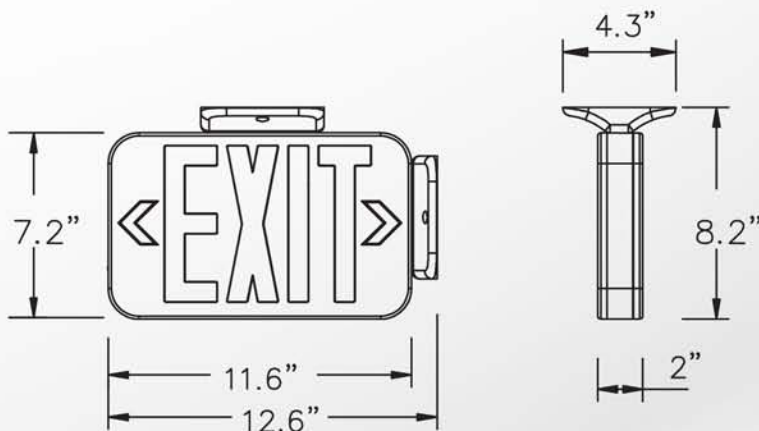


ORDERING INFORMATION

SERIES	HOUSING COLOR	LETTER COLOR	OPERATION
FHEX20	W = White B = Black	R = RED G = Green	AC = AC Only EM = Battery Backup



FHEX20 W R AC
FHEX20 W R EM
FHEX20 W G AC
FHEX20 W G EM



THIN PROFILE LED EXIT SIGN

Thin-profile, thermoplastic LED exit sign offers long life, energy efficiency and uniform illumination in an economical package.

- Injection-molded, high impact, UV-stabilized, UL 94 V-0 thermoplastic housing includes extra faceplate for single or double-face application
- Universal mounting plate and canopy for top, back or end-mounting
- Snap-together construction speeds installation
- Universal chevrons are easily snapped out/in for directional indication
- Energy-saving LED lamp source has expected life of 10 years
- Optional maintenance-free sealed lead-acid battery provides 90 minutes of emergency operation
- Dual-voltage input 120V/277V
- Self Diagnostic option continually monitors critical functions including: battery disconnect, battery/charger failure and lamp failure. Performs one-minute self-test every 30 days, a 30-minute test every 6 months and a 90-minute annual test.
- UL 924 listed
- Damp Location listed
- NEC

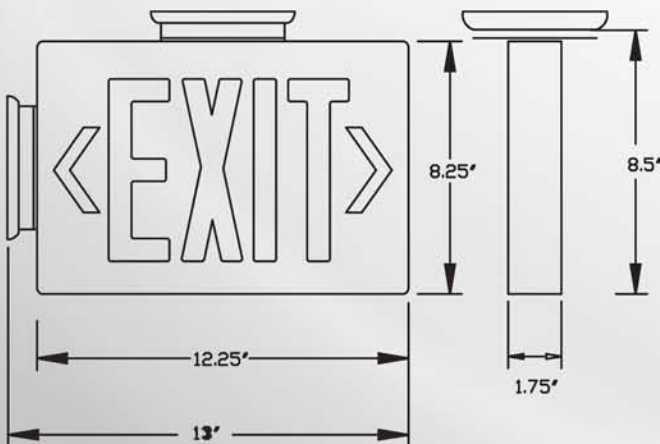


ORDERING INFORMATION

SERIES	HOUSING COLOR	LETTER COLOR	MODEL OPERATION	OPTIONS
FHEX21	W = White B = Black	R = Red G = Green	AC = AC Only EM = Battery Backup	SD = Self-Diagnostic



FHEX21 W R AC
FHEX21 W R EM
FHEX21 W G AC
FHEX21 W G EM



DIE-CAST ALUMINUM LED EXIT SIGN

Die-Cast aluminum exit signs offer rich, unparalleled aesthetics in a durable, all-metal construction. This cost-effective package offers premium performance and simplified installation, making it the benchmark selection for both architectural and commercial applications.

- Energy-saving LED lamp source has expected life of 10 years
- Precision-molded, die-cast aluminum construction – slim profile, compact housing
- Fine-grain brushed aluminum faceplate with matte black electrostatic polymeric trim
- Clear lacquer finish on brushed face inhibits fingerprints and other surface contaminants
- Universal directional chevron knock-outs are completely concealed and easily removed
- Hinged faceplate and spring latches for easy lamp compartment access
- Dual-voltage input 120V/277V
- Maintenance-free nickel-cadmium battery provides 90 minutes of emergency power
- Universal single face and double face (extra faceplate included)
- Self diagnostic option available
- UL 924 listed
- NEC

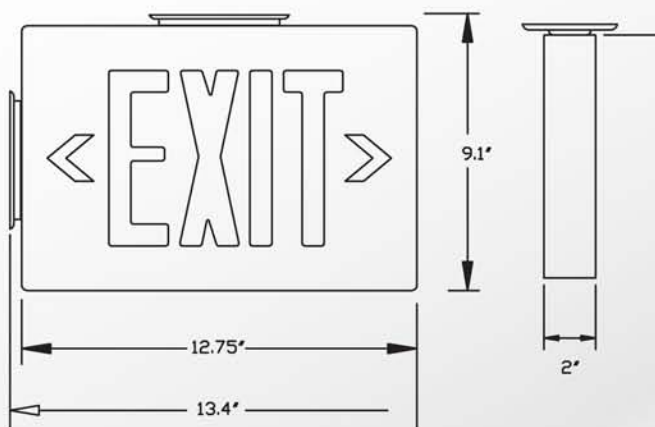


ORDERING INFORMATION

SERIES	HOUSING COLOR	LETTER COLOR	OPERATION	OPTIONS
FHEX22	Blank = Black w/Brushed Faceplate B = Black W = White	R = Red G = Green	EM = Battery Backup AC = AC Only	SD = Self-Diagnostic



FHEX22 R EM
FHEX22 R AC
FHEX22 G EM
FHEX22 G AC



ARCHITECTURAL RECESSED EDGE-LIT EXIT SIGN

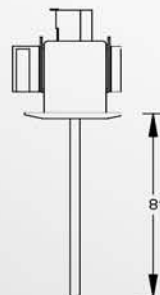
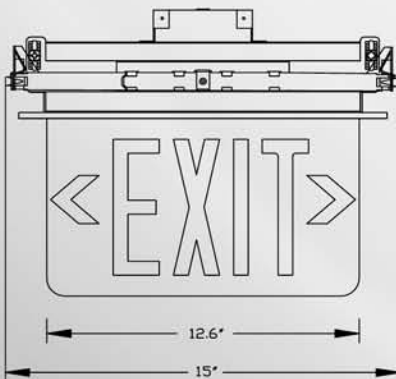
Architectural LED Edge-Lit exit signs recess into the ceiling, offering superior aesthetic appeal.

- Energy-saving LED lamp source has expected life of 10 years
- High-polish, injection-molded virgin acrylic panel, ultrasonically welded to eliminate visible hardware
- Graduated depth of molded letters provides uniform light distribution on graphics
- Mirror divider on double face versions
- Adjustable recessed mounting
- Field applied chevron directional indicators simplify specification and installation
- Dual-voltage input 120V/277V
- Maintenance-free sealed lead acid battery provides 90 minutes of emergency power
- Self diagnostic option
- UL 924 listed
- Damp location listed
- NEC



ORDERING INFORMATION

SERIES	HOUSING COLOR	# of FACES	LETTER COLOR	OPERATION	OPTIONS
FHEX23	A = Aluminum B = Black W = White	S = Single D = Dual	R = Red G = Green	AC = AC Only EM = Battery Backup	SD = Self Diagnostic



ARCHITECTURAL LED EDGE LIT EXIT SIGN

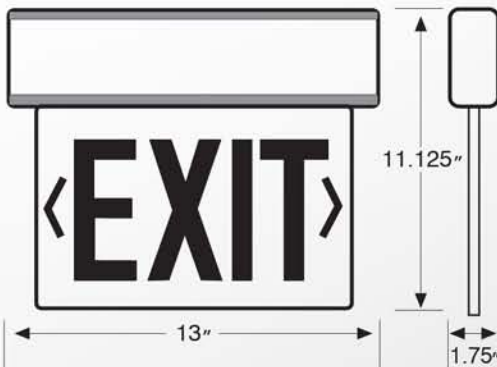
Ideal for architectural applications, surface mount
Edge-Lit LED exit signs offer specification-grade
aesthetics with in-field installation flexibility.

- Energy-saving LED lamp source has expected life of 10 years
- High-polish, injection-molded virgin acrylic panel, ultrasonically welded to eliminate visible hardware
- Graduated depth of molded letters provides uniform light distribution on graphics
- Mirror divider on double face versions
- Field applied chevron directional indicators
- Dual-voltage input 120V/277V
- Maintenance-free, 6V sealed lead-acid battery, provides 90 minutes of emergency power
- Universal mounting
- UL 924 listed
- Damp location listed
- NEC



ORDERING INFORMATION

SERIES	HOUSING COLOR	# of FACES	LETTER COLOR	OPERATION	OPTIONS
FHEX24	A = Aluminum B = Black W = White	S = Single D = Dual	R = Red G = Green	AC = AC Only EM = Battery Backup	SD = Self Diagnostic



WET LOCATION LED EXIT SIGN

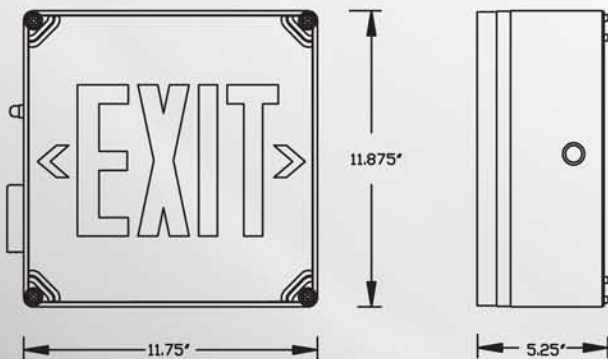
Wet location approved exit signs feature an enclosure resistant to corrosive atmospheres, non-hazardous dust environments, hose-downs, water spray and splashing water.

- Long life, energy saving LED lamps
- Sealed and gasketed thermoplastic housing is corrosion and impact resistant
- Clear polycarbonate faceplate with vinyl EXIT stencil
- Integral breather vent
- Universal chevrons are easily snapped out/in for directional indication
- Single face, surface mount versions only
- Includes mounting screws and hardware
- Dual-voltage input 120/277V
- Maintenance-free, 6V sealed nickel cadmium battery provides 90 minutes of emergency operation
- Listed for wet location applications (0°C – 40°C)
- UL 924 listed
- Damp location listed
- NEC



ORDERING INFORMATION

SERIES	HOUSING COLOR	OPERATION
FHEX25	R = Red G = Green	AC = AC Only EM = Battery Backup



FHEC30

MINI – COMBINATION LED EXIT

Energy-saving combination LED exit sign and emergency lighting unit in one compact, modern design. Flexibility and multi-function capabilities include LED performance on both the exit sign and the lamp heads.

- Injection-molded, high impact, UV-stabilized, UL 94 V-0 thermoplastic housing includes extra faceplate for single or double-face application
- Universal mounting plate and canopy for top or back mounting
- Snap-together construction speeds installation
- Universal chevrons are easily snapped out/in for directional indication
- Energy-saving LED lamp source has expected life of 10 years
- Maintenance-free nickel cadmium battery provides 90 minutes of emergency operation
- Dual-voltage input 120V/277V
- UL 924 listed
- Damp location listed
- NEC



ORDERING INFORMATION

SERIES	HOUSING COLOR	LETTER COLOR
FHEC30	W = White B = Black	R = Red G = Green



THERMOPLASTIC LED COMBINATION EXIT

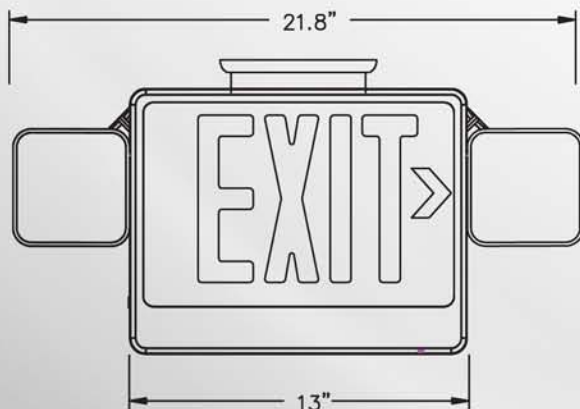
Energy saving combination LED exit sign and emergency lighting unit provides contemporary design, flexibility and multi-function capabilities.

- Injection-molded, high impact, UV-stabilized, UL 94 V-0 thermoplastic housing includes extra faceplate for single or double-face application
- Universal mounting plate and canopy for top or back
- Snap-together construction speeds installation
- Universal chevrons are easily snapped out/in for directional indication
- Energy-saving LED lamp source on exit sign has expected life of 10 years
- Fully adjustable lamp heads include two 5.4W DC T5 wedge-base lamps
- Maintenance-free sealed lead-acid battery provides 90 minutes of emergency operation
- Dual-voltage input 120V/277V
- Self Diagnostic option continually monitors critical functions including: battery disconnect, battery/charger failure and lamp failure. Performs one-minute self-test every 30 days, a 30-minute test every 6 months and a 90-minute annual test
- Remote capable option provides 12W extra capacity
- UL 924 listed
- Damp location listed
- NEC



ORDERING INFORMATION

SERIES	HOUSING COLOR	LETTER COLOR	OPTIONS
FHEC31	W = White B = Black	R = Red G = Green	SD = Self-Diagnostic RC = Remote Capable



WET LOCATION LED COMBINATION EXIT/EMERGENCY UNIT

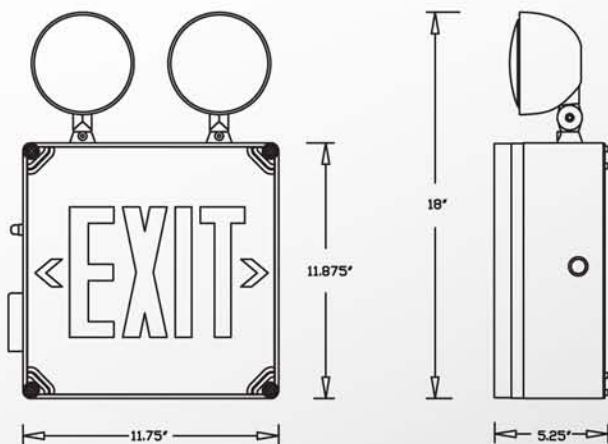
Wet location LED exit sign and emergency unit includes two sealed and gasketed, weatherproof lamp heads with tempered glass lenses.

- Long life, energy saving LED lamps for exit sign
- Sealed and gasketed thermoplastic housing is corrosion and impact resistant
- Clear polycarbonate faceplate with vinyl EXIT stencil
- Integral breather vent
- Universal chevrons are easily snapped out/in for directional indication and field flexibility
- Single face, surface mount versions only
- Includes mounting screws and hardware
- Dual-voltage input 120/277V
- Maintenance-free, 6V sealed nickel cadmium battery provides 90 minutes of emergency power
- Two sealed and gasketed 6V5.4W T5 wedge base weatherproof lamp heads with tempered glass lenses
- UL 924 listed
- UL wet location listed (0°C - 40°C)
- NEC



ORDERING INFORMATION

SERIES	LETTER COLOR
FHEC32	R = Red G = Green



NEW YORK CITY APPROVED PRODUCTS



NEW YORK CITY APPROVED PRODUCTS

FHNY10

NEW YORK CITY APPROVED EMERGENCY LIGHT

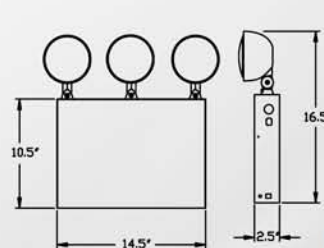
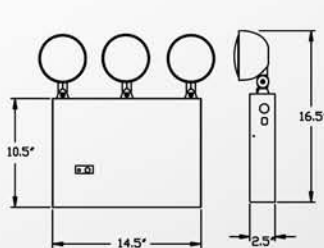
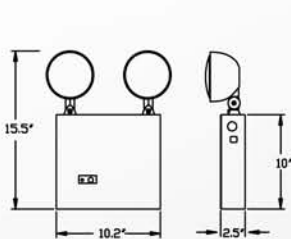
Heavy duty steel emergency lights with two or three lamp heads built and approved for New York City requirements.

- 20-gauge steel housing
- White powder coat finish
- Thermoplastic lamp heads
- Available with 18, 27 and 50 watts of emergency capacity for 90 minute operation
- 9 watt 939 lamps standard, also available with 12 watt 939 lamps
- Dual-voltage input 120V/277V
- Test switch, status indicator and maintenance-free sealed lead-acid battery
- UL 924 listed
- Damp location listed
- NEC
- New York City approved



ORDERING INFORMATION

SERIES	DESCRIPTION
FHNY1029	Emergency light with 6-Volt 18-Watt lead-acid battery, two lamp heads
FHNY1039	Emergency light with 6-Volt 27-Watt lead-acid battery, three lamp heads
FHNY10312	Emergency light with 12-Volt 50-Watt lead-acid battery, three lamp heads



NEW YORK CITY APPROVED HEAVY-DUTY LED EXIT SIGN

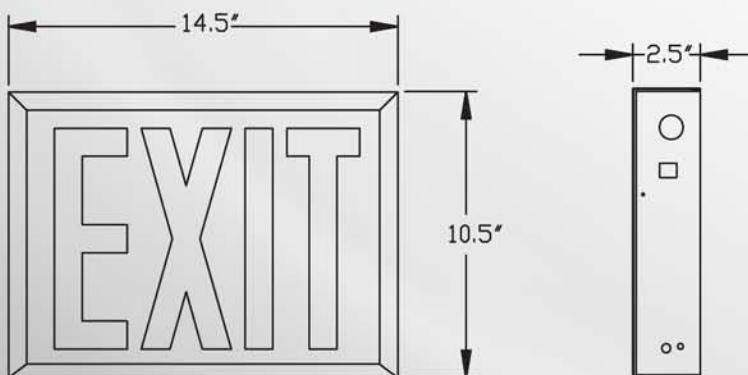
8" Steel LED exit designed to New York City specifications.

- 20-gauge steel housing
- Universal mounting plate and canopy for top, back or end mounting
- Includes an extra face plate for single or double face application
- White powder coat finish
- Energy-saving LED lamp source has expected life of 10 years
- Dual-voltage input 120V/277V
- Maintenance-free, sealed lead-acid battery provides 90 minutes of emergency operation (EM)
- UL 924 listed.
- UL damplocation temperature range - 50°F (10°C) to 104°F (40°C)
- NEC
- New York City approved



ORDERING INFORMATION

SERIES	
FHNY20AC	Exit Sign, 20-GA Steel, White Housing, Universal Face, Red Lettering, AC only
FHNY20EM	Exit Sign, 20-GA Steel, White Housing, Universal Face, Red Lettering, Battery B/UP



NEW YORK CITY APPROVED LED EXIT SIGN

8" die-cast aluminum exit sign designed to New York City specifications, offering rich, unparalleled aesthetics in a durable, all-metal construction. This cost-effective package offers premium performance and simplified installation, making it the benchmark selection for both architectural and commercial applications.

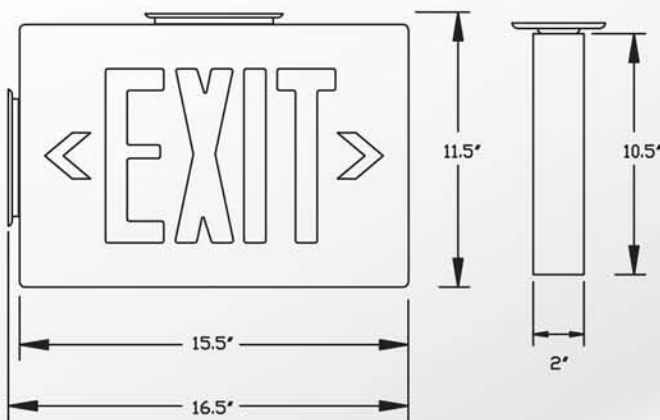


- Precision-molded, die-cast aluminum construction – slim profile, compact housing with 8" letters
- Fine-grain brushed aluminum faceplate with matte black electrostatic polymeric trim
- Clear lacquer finish on brushed face inhibits fingerprints and other surface contaminants
- Universal directional chevron knock-outs are completely concealed and easily removed
- Hinged faceplate and spring latches for easy lamp compartment access
- Single face versions can easily be field-converted to double face with faceplate accessory
- Energy-saving LED lamp source has expected life of 10 years
- Dual-voltage input 120/277V
- Maintenance-free, sealed nickel cadmium battery provides 90 minutes of emergency operation
- Self diagnostic option
- UL 924 listed
- Damp location listed
- NEC
- New York City approved



ORDERING INFORMATION

SERIES	HOUSING COLOR	# of FACES	OPERATION	OPTIONS
FHNY21	BLANK = Black Housing w/Brushed Face Plate W = White B = Black	S = Single D = Double	AC = AC Only EM = Battery Backup	SD = Self Diagnostic



NEW YORK CITY APPROVED RECESSED EDGE LIT EXIT SIGN

8" Edge-lit exit sign designed to New York City specifications, providing superior aesthetics in a recessed design. Excellent LED performance and energy efficiency combined with in-field installation flexibility makes this sign a perfect choice for architectural applications.

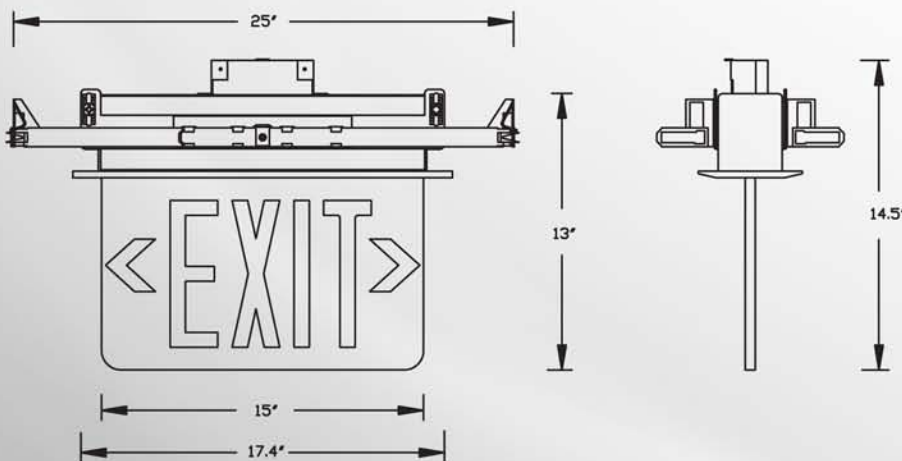


- Highly polished, injection-molded virgin acrylic panel is ultrasonically welded to eliminate visible hardware
- Graduated depth of molded letters provides uniform light distribution on graphics
- Mirror divider on double face versions
- Field applied chevron directional indicators simplify specification and installation
- Energy-saving LED lamp source has expected life of 10 years
- Dual-voltage input 120/277V
- Maintenance-free, sealed nickel cadmium battery provides 90 minutes of emergency operation (EM)
- UL 924 listed
- Damp location listed
- NEC
- New York City approved



ORDERING INFORMATION

SERIES	HOUSING COLOR	# of FACES	OPERATION	OPTIONS
FHNY22	W = White B = Black A = Aluminum	S = Single D = Double	AC = AC Only EM = Battery B/up	SD = Self Diagnostic



NEW YORK CITY SURFACE-MOUNTED EDGE-LIT EXIT SIGN

8" Edge-lit exit sign designed to New York City specifications, provides superior aesthetics in a surface-mount design. Excellent LED performance and energy efficiency combined with in-field installation flexibility makes this sign a perfect choice for architectural applications.

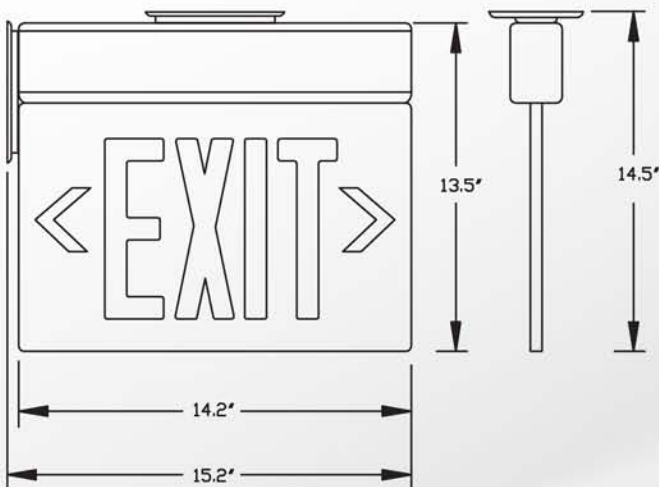


- Highly polished, injection-molded virgin acrylic panel is ultrasonically welded to eliminate visible hardware
- Graduated depth of molded letters provides uniform light distribution on graphics
- Mirror divider on double face versions
- Field applied chevron directional indicators simplify specification and installation
- Energy-saving LED lamp source has expected life of 10 years
- Dual-voltage input 120/277V
- Maintenance-free, sealed nickel cadmium battery provides 90 minutes of emergency operation (EM)
- Universal mounting
- UL 924 listed
- Damp location listed
- NEC
- New York City approved



ORDERING INFORMATION

SERIES	HOUSING COLOR	# of FACES	OPERATION
FHNY23	W = White B = Black A = Aluminum	S = Single D = Double	AC = AC Only EM = Battery Back Up



NEW YORK CITY HEAVY-DUTY COMBINATION EXIT/UNIT

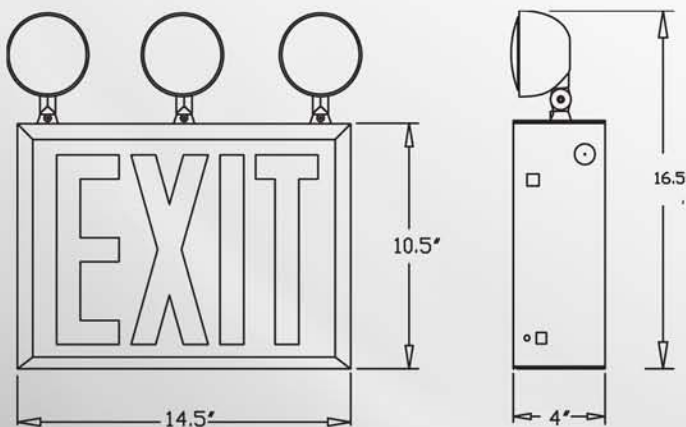
8" Steel LED exit sign and emergency unit combo is designed to New York City specifications.

- 20-gauge steel housing
- White powder coat finish
- Thermoplastic lamp heads
- Energy-saving LED lamp source has expected life of 10 years
- Three x 12 Volt 12 Watts 939 lamps
- Dual-voltage input 120/277V
- Maintenance-free, 6V sealed lead-acid battery provides 90 minutes of emergency operation
- UL 924 listed
- UL damp location temperature range - 50°F (10°C) to 104°F (40°C)
- NEC
- New York City approved



ORDERING INFORMATION

SERIES	
FHNY30W	Combo, 20-GA steel, white housing, single Face, red lettering, Battery Back Up



CHICAGO APPROVED PRODUCTS



CHICAGO APPROVED PRODUCTS

FHCH10

CHICAGO-APPROVED EMERGENCY LIGHT

Steel emergency light designed for new construction or retrofit applications that must meet all City of Chicago listing requirements. Ideal for wall-mounted applications in stores, offices, hospitals and schools.

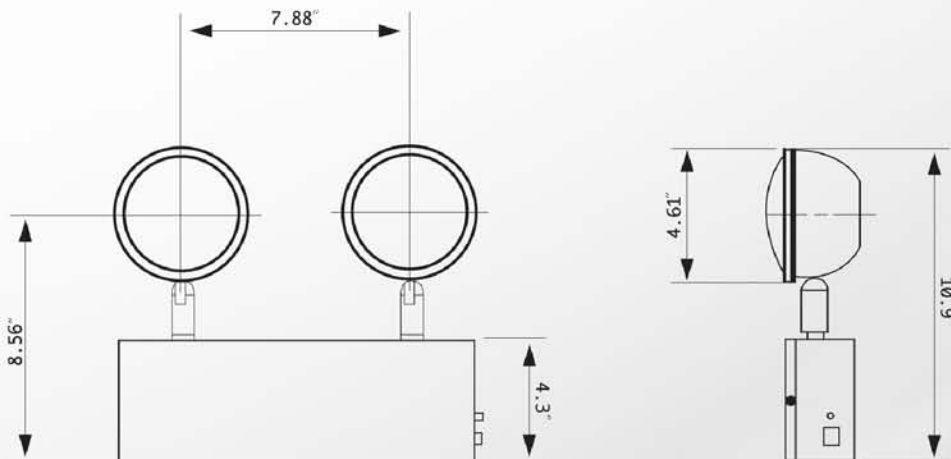
- Heavy-duty steel housing
- Glass lenses on lamp heads
- 12W high intensity tungsten halogen lamps
- Sealed push-to-test switch and ready light
- 6V Maintenance-free lead acid battery
- Dual voltage Input 120/277V
- AC lockout –line latching circuit
- Auto-brown-out capability
- 120 minute emergency operation
- UL 924 listed
- Damp location listed
- NEC
- City of Chicago approved



ORDERING INFORMATION

SERIES

FHCH10



CHICAGO APPROVED EXIT SIGN

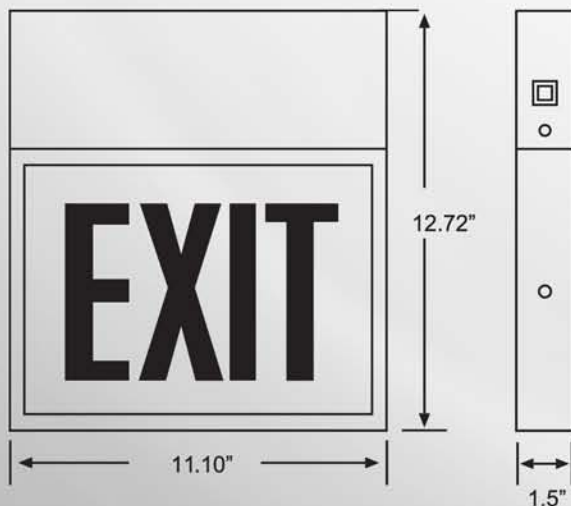
Heavy duty steel exit signs are Chicago approved. Ideal for applications such as schools, offices, retail and hospitals.

- 20 gauge steel housing
- White finish
- Universal mounting (top, end or side) – steel canopy included
- Red silk-screened lettering on white phosphorescent
- Heat tempered, impact resistant glass lens
- Dual-voltage input 120V or 277V AC operation
- Maintenance-free sealed nickel cadmium battery provides 90 minutes of emergency power
- UL 924 listed
- Damp Location listed
- NEC
- City of Chicago approved



ORDERING INFORMATION

SERIES	# of FACES	DIRECTIONAL	OPERATION
FHCH20	S = Single D = Double	LA = Left Arrow RA = Right Arrow DA = Double Arrow NA = No Arrow	AC = AC Only EM = Battery Backup



NOTES

NOTES

PHOTOLUMINESCENT EXITS



FREELITE Photoluminescent products are simply the greenest egress lighting solutions on the planet, saving energy, saving money and saving the environment. And as far as safety is concerned, FREELITE products are the most reliable lighting egress products available, providing bright, uniform illumination when you need it most. Never before has it been this easy to SAVE...time, energy, carbon emissions, maintenance costs, and lives.

PHOTOLUMINESCENT EXIT – 50’ VISIBILITY

Low profile, highly visible photoluminescent exit sign consumes no energy, requires no maintenance and is 100% reliable in emergency situations.

- Non-electrified, consumes zero energy
- Visible at 50 feet
- LEED points qualified
- Surface, flag and ceiling mount
- Meets low location egress requirements
- Non-toxic, non-radioactive
- Fully recyclable – no disposal cost
- Manufactured in the United States
- Fully customizable to meet a wide range of architectural needs
- Lower labor and material cost – no electrical runs
- Zero energy consumption - zero cost
- Zero maintenance – no bulbs, no battery replacement
- Easily movable if egress paths change
- 25yr + life
- Field installable chevrons
- Meets NFPA Life Safety Code 101 and OSHA
- Meets International Building and Fire Codes
- Listed to UL 924 for the USA and Canada
- Listed with the State of California State Fire Marshal



ORDERING INFORMATION

SERIES	# of FACES	BACKGROUND COLOR	FRAME COLOR
FLPL50	S = SINGLE D = DUAL	G = GREEN R = RED B = BLACK SR = BRUSHED ALUMINUM W/ RED LETTER OUTLINE SG = BRUSHED ALUMINUM W/ GREEN LETTER OUTLINE	B = BLACK G = GREEN R = RED S = SILVER POWDER COAT W = WHITE BLANK = NO FRAME



VANDAL RESISTANT PHOTOLUMINESCENT EXIT – 50’ VISIBILITY

PHOTOLUMINESCENT EXIT

Low profile, highly visible photoluminescent exit sign consumes no energy, requires no maintenance and is 100% reliable in emergency situations.

- Non-electrified, consumes zero energy
- Visible at 50 feet
- LEED points qualified
- Surface, flag and ceiling mount
- Meets low location egress requirements
- Non-toxic, non-radioactive
- Fully recyclable – no disposal cost
- Manufactured in the United States
- Fully customizable to meet a wide range of architectural needs
- Lower labor and material cost – no electrical runs
- Zero energy consumption - zero cost
- Zero maintenance – no bulbs, no battery replacement
- Easily movable if egress paths change
- 25yr + life
- Field installable chevrons
- Meets NFPA Life Safety Code 101 and OSHA
- Meets International Building and Fire Codes
- Listed to UL 924 for the USA and Canada
- Listed with the State of California State Fire Marshal



ORDERING INFORMATION

SERIES	# of FACES	BACKGROUND COLOR	FRAME COLOR
FLPL51	S = SINGLE D = DUAL	G = GREEN R = RED B = BLACK	B = BLACK G = GREEN R = RED S = SILVER POWDER COAT W = WHITE



PHOTOLUMINESCENT EXIT – 75’ VISIBILITY

Low profile, highly visible photoluminescent exit sign consumes no energy, requires no maintenance and is 100% reliable in emergency situations.

- Non-electrified, consumes zero energy
- Visible at 75 feet
- Red or Green Lettering on PL background
- LEED points qualified
- Surface, flag and ceiling mount
- Thin, low profile construction
- Meets low location egress requirements
- Non-toxic, non-radioactive
- Fully recyclable – no disposal cost
- Manufactured in the United States
- Fully customizable to meet a wide range of architectural needs
- Lower labor and material cost – no electrical runs
- Zero energy consumption - zero cost
- Zero maintenance – no bulbs, no battery replacement
- Easily movable if egress paths change
- 25yr + life
- Field installable chevrons
- Meets NFPA Life Safety Code 101 and OSHA
- Meets International Building and Fire Codes
- Listed to UL 924 for the USA and Canada
- Listed with the State of California State Fire Marshal



ORDERING INFORMATION

SERIES	# of FACES	LETTER COLOR	FRAME COLOR
FLPL75	S = SINGLE D = DUAL	G = GREEN R = RED	B = BLACK G = GREEN R = RED S = SILVER POWDER COAT W = WHITE BLANK = NO FRAME



PHOTOLUMINESCENT EXIT – 100’ VISIBILITY

Low profile, highly visible photoluminescent exit sign consumes no energy, requires no maintenance and is 100% reliable in emergency situations.

- Non-electrified, consumes zero energy
- Visible at 100 feet
- LEED points qualified
- Surface, flag and ceiling mount
- Meets low location egress requirements
- Non-toxic, non-radioactive
- Fully recyclable – no disposal cost
- Rugged ABS construction
- Manufactured in the United States
- Fully customizable to meet a wide range of architectural needs
- Lower labor and material cost – no electrical runs
- Zero energy consumption - zero cost
- Zero maintenance – no bulbs, no battery replacement
- Easily movable if egress paths change
- Rated for outdoor and wet locations
- 25yr + life
- Field installable chevrons
- Meets NFPA Life Safety Code 101 and OSHA
- Meets International Building and Fire Codes
- Listed to UL 924 for the USA and Canada
- Listed with the State of California State Fire Marshal



ORDERING INFORMATION

SERIES	# of FACES	BACKGROUND COLOR	FRAME COLOR
FLPL10	S = SINGLE	G = GREEN	B = BLACK
	D = DUAL	R = RED	G = GREEN
		W = WHITE	R = RED
		B = BLACK	S = SILVER POWDER COAT
			W = WHITE
			BLANK = NO FRAME



ACCESSORIES



ACCESSORIES - EMERGENCY LIGHTING

Durable polycarbonate shields often called "bubble guards" and durable wire guards protect your emergency fixtures from damage. Useful in schools, gymnasiums, parking garages or any area where there is a risk of intentional or accidental damage.

FHEMVS

STANDARD FEATURES:

- High Visibility Polycarbonate Shields
- Vandal-Resistant

DIMENSIONS

7.5" x 18" x 5"



FHEMWG

STANDARD FEATURES:

- Wire Construction Guards
- Vandal-Resistant

DIMENSIONS

13.5" x 15" x 6"



Model Number: For Use With:

FHEMVS
FHEWVG

FHEM10

FHEM11

FHEM13



FREELITE MOUNTING BRACKET

SERIES	COLOR
FLPLB	B = Black S = Silver G = Green R = Red W = White



FHEXVS FHECVS









High Visibility Polycarbonate
Vandal-Resistant Shields



FHEXWG FHECWG

Wire Construction Guards



Model Number	For Use With:			DIMENSIONS
FHEXVS	FHEX20 	FHEX21 	FHEX22 	13.25" x 9" x 2.75"
FHECVS FHECWG	FHEC30 	FHEC31 		15" x 30.5" x 7" 13.5" x 30" x 6"
FHEXWG	FHEX20 	FHEX21 	FHEX22 	13.5" x 15" x 6"

Large lined area for writing notes.



Trusted worldwide for cost efficient lighting solutions.



FHML10-11-11