

# T1UNV1400-60L

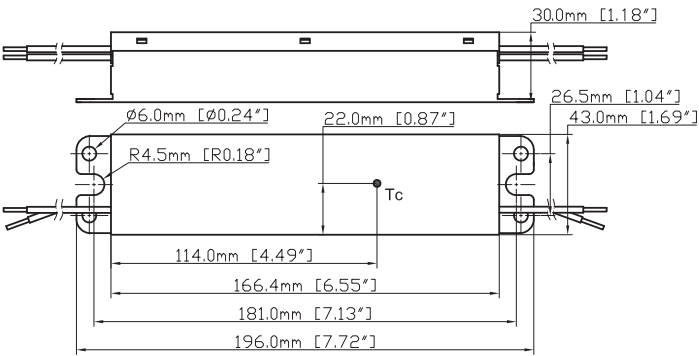
## Constant Current LED Driver

- Input Voltage: 120 - 277VAC 50/60Hz
- Output Voltage Range: 20 - 43VDC
- Output Current: 1.4A Max.
- Output Power: 60W Max.

### General Specifications

Input Voltage / Frequency	120 - 277VAC 50/60Hz
Input Current	0.58A @120VAC, 0.25A @277VAC
Input Power	70W
Power Factor	>0.9
THD	<20%
Efficiency	88% @ FULL LOAD
Driver Type	Constant Current
Output Current	1.4A
Output Voltage Range	20 - 43VDC
U-OUT	60VDC
Output Power	60W Max.
Number of Output Channels	1
RFI / EMI	FCC PART 15B CONSUMER, EN55015, EN61000-3-3/-3-2
Output Type	CLASS 2
Ambient Operating Temperature Range	-20°C to 61°C (-4°F to 141.8°F)
Max Case Temperature at Tc	90°C (194°F)
Sound Rating	A
Input Surge Protection	Line-Neutral 2kV, Line & Neutral-Ground 4kV
Protections	Input Current Protection Output Short Circuit Protection Output Open Circuit Protection Output To Ground Short Protection Overload Protection
Approvals / Class	cURus, RoHS, CE, IP64 RCM
Service Life	50,000 hours lifetime @Tc 75°C (167)
Warranty	5 years @Tc 75°C (167) from the date of manufacture when properly installed.

### Mechanical Data



### Wiring Diagrams

INPUTSIDE	LENGTH	OUTPUTSIDE	LENGTH
WHITE	330mm[13"]	RED	330mm[13"]
BLACK	330mm[13"]	BLUE	330mm[13"]

