

## SPECIFICATION SHEET : T1M2UNV0700-49L

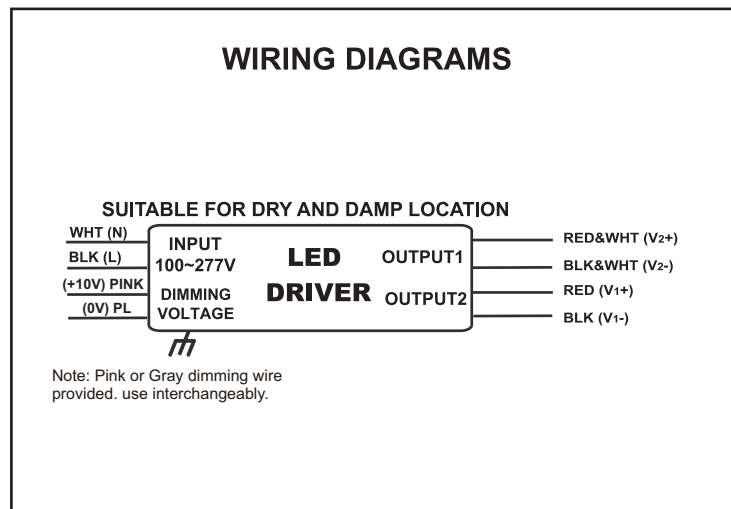
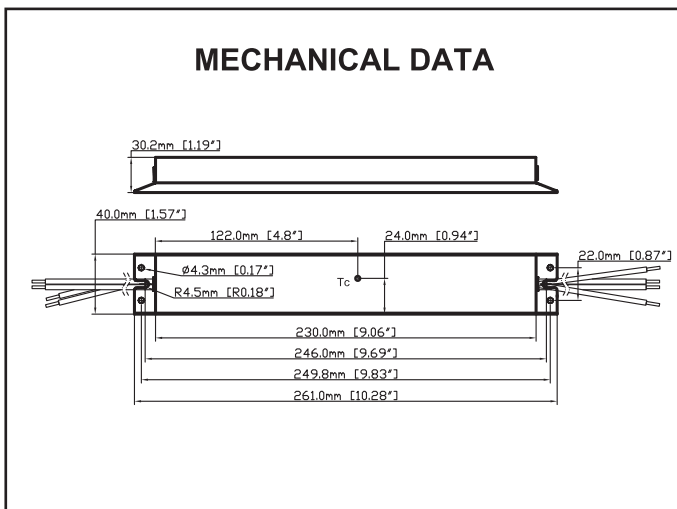
This Is An Original Product From Fulham Co., Inc

**Description :** 49W LED Driver with 0-10V dimming controls. Wide range input of 100-277V. Two, constant current, independent output channels.

**This Driver Will Operate Following LED Lamps.**  
Any LED module designed to accept 700mA, Constant Current with voltage of 23-35 VDC

### ELECTRICAL DATA

|                                |   |
|--------------------------------|---|
| INPUT VOLTAGE                  | 100-277V ± 10%, 50/60Hz                     |
| INPUT CURRENT (MAX)            | 0.64A@120V, 0.24A@277V                      |
| POWER FACTOR (PF)              | > 0.90                                      |
| THD                            | <20% @ Full load                            |
| EFFICIENCY                     | >83%  |
| DRIVE METHOD                   | Constant Current                            |
| OUTPUT CURRENT                 | 0.7A / Channel                              |
| OUTPUT VOLTAGE RANGE           | 23V~35V(per channel)                        |
| OUTPUT WATTAGE                 | 49W   |
| NUMBER OF OUTPUT CHANNELS      | 2   |
| DIMMING CONTROLLER TYPE        | 0-10V                                       |
| DIMMING RANGE                  | 100%-10%                                    |
| RFI/EMI                        | Fcc Part 15 class B                         |
| SOUND RATING                   | A   |
| INPUT SURGE PROTECTION         | LINE-NEUTRAL 1KV, LINE & NEUTRAL-GROUND 2KV |
| CIRCUIT PROTECTIONS            | CURRENT PROTECTION                          |
|                                | OUTPUT SHORT CIRCUIT PROTECTION             |
|                                | OUTPUT OPEN CIRCUIT PROTECTION              |
|                                | OUTPUT TO GROUND SHORT PROTECTION           |
|                                | OVER LOAD PROTECTION                        |
| MAX. CASE HOT SPOT TEMPERATURE | 90 °C                                       |
| AMBIENT TEMPERATURE RANGE      | - 25°C to 60.5 °C                           |
| SERVICE LIFE                   | 50,000 hours                                |
| APPROVALS/CLASS                | UR Class2, Damp location; cUR, CE           |



Fulham extends a limited warranty only to the original purchaser or to the first user for a period of 5 years from the date of manufacture when properly installed and operated under normal conditions of use. For complete terms and conditions, please reference the Fulham product catalog ([www.fulham.com](http://www.fulham.com))  
**Due to a program of continuous improvement, Fulham reserves the right to make modifications or variations in design or construction to the equipment described.** © Fulham Company Limited, All Rights Reserved.