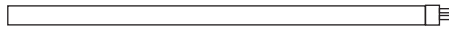


## SPECIFICATION SHEET : SHGS7-MID-6-120-N

This Is An Original Product From Fulham Co., Inc

**Description : Sun Horse electronic ballast developed for use with UV & tanning lamp applications**

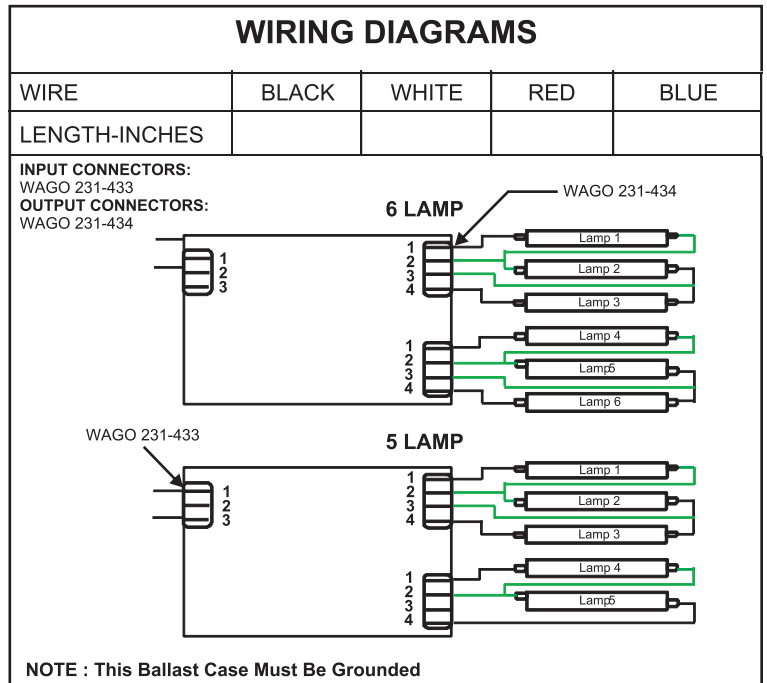
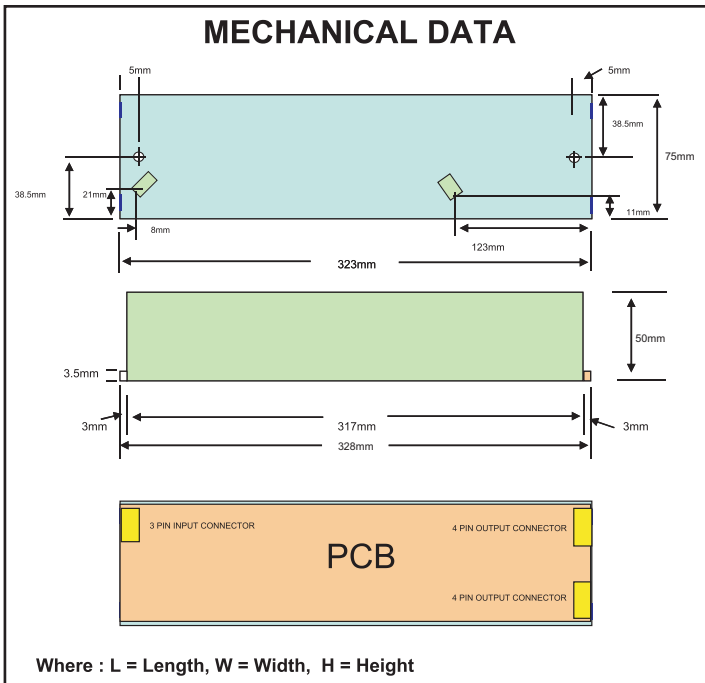
**This Ballast Will Operate Following Lamps.**



**T12HO**  
**F59 (80W), F71/73 (100W), F74/79 (120W)**

### ELECTRICAL DATA (208 ~ 240V APPLICATION)

INPUT VOLT	208~240V ± 10%, 50/60Hz
LAMP WATTS/TYPE	T12 HO
LAMPS OPERATED	5/6
LAMP CONNECTION	3 Series + 2 Parallel
LAMPS OPERATED	F59 (80W), F71/73 (100W), F74/79 (120W)
INPUT WATTS	560W
LINE CURRENT	2.5A@240V
POWER FACTOR	>0.95
THD	<10%
OPERATING FREQUENCY	>40KHz
EMI/RFI COMPLIANCE	Cispr 15 (when installed in metal housing)
SOUND RATING	A (24 dBa)
BALLAST TYPE	Instant Start
VOLTAGE TRANSIENTS	Yes
INPUT/OUTPUT CONNECTION	Connectors
MIN. OPERATING TEMP	10°C (50°F)
MAX. CASE TEMP	40°C (104°F)



Fulham extends a limited warranty only to the original purchaser or to the first user for a period of 3 years from the date of manufacture when properly installed and operated under normal conditions of use. For complete terms and conditions, please reference the Fulham product catalog ([www.fulham.com](http://www.fulham.com))  
 Due to a program of continuous improvement, Fulham reserves the right to make modifications or variations in design or construction to the equipment described.